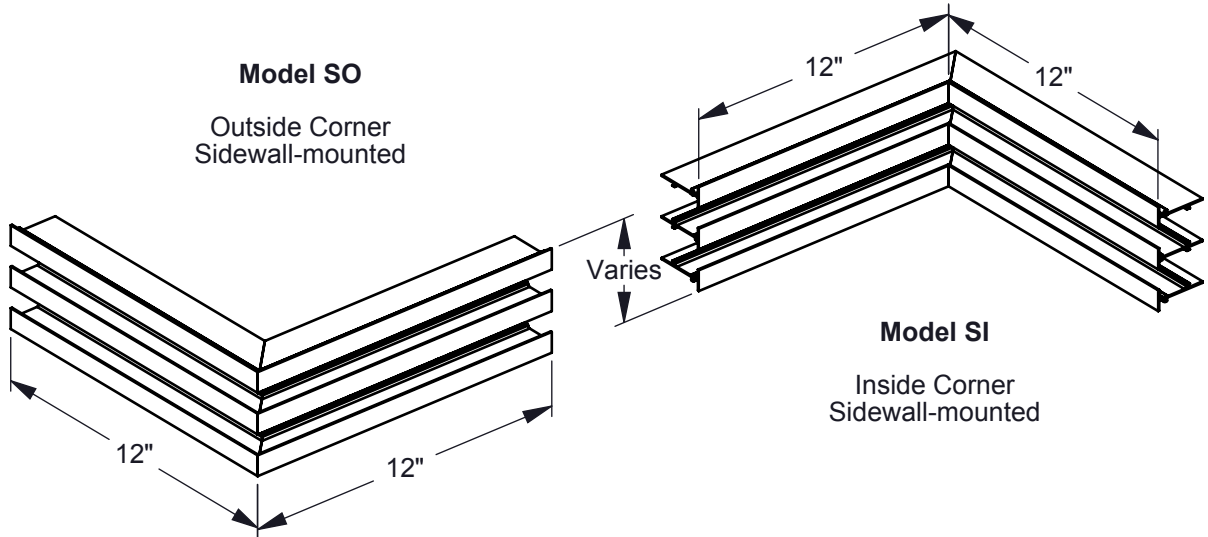


- Construction and appearance to match 6000
- Available with 90° angle
- Active sections not available
- Standard finish is white

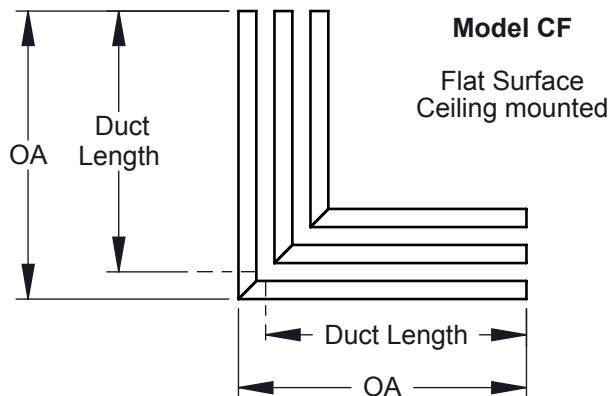


Slot Width

- 050 - 1/2" Slot
- 075 - 3/4" Slot
- 100 - 1" Slot

Finish

- White
- Mill
- Clear Anodized Aluminum Paint
- Off White
- Flat Black
- Match Paint



OA Dimension for Model CF

Slot Number	Duct Length	Margin Styles			
		A, B	C, F, G	T	N, S
1-2	12	12 7/16	12 3/8	12 5/16	12
3-8	24	24 7/16	24 3/8	24 5/16	24

Dimensions in inches

Job: _____	Tag: _____	6000 Slot Diffuser Mitered Corners
Location: _____	Submitted By: _____	
Architect: _____	SD - 2121 Rev: A (03/11)	
Engineer: _____		
Contractor: _____		