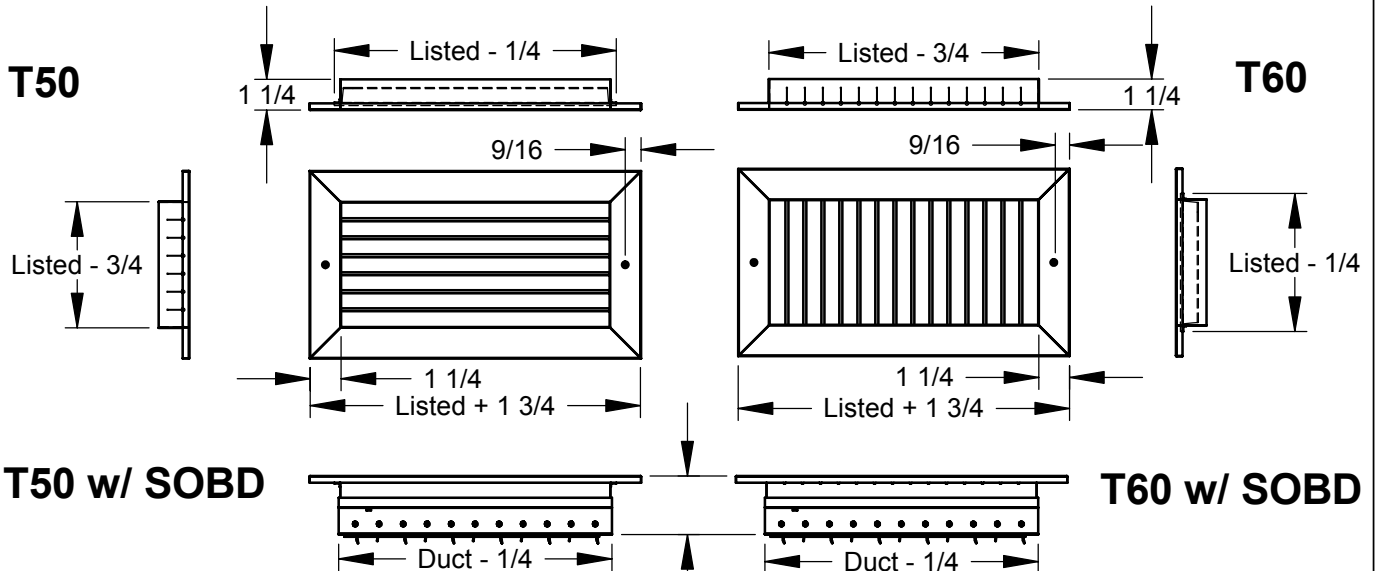
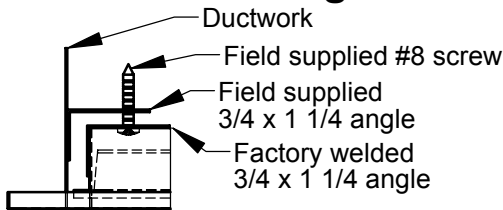


- Single deflection with individually adjustable blades on 3/4" centers
- Model T50 has horizontal blades / Model T60 has vertical blades
- Steel construction
- Standard grille finish is white (WH)
- Damper option is mill finish only
- Available sizes are 6x4 to 48x48 in 1" increments (larger sizes in sections)



Concealed Mounting



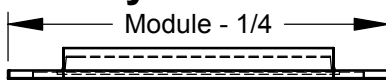
Available Fastening Methods

- 01 - Screw Holes
- 02 - No Screw Holes
- 03 - Concealed

Available Colors

- White (WH) Mill (ML) Aluminum Paint (AP)
- Off-White (OW) Flat Black (FB)
- Match Paint (MP)

LT Frame Style



Module	* Max Neck
12x12	9x9
24x12	21x9
24x24	21x21
48x24	45x21

Accessories

- SOBD - Steel opposed blade damper
- 45 - Steel mounting frame

* - When using a module for Lay-In T-Bar ceiling, this is the maximum neck size for specified module

Dimensions in inches

Job: _____ Location: _____ Architect: _____ Engineer: _____ Contractor: _____	Tag: _____ Submitted By: _____ SD-2003 Rev: B (08/17)	T50 & T60 Supply Grille Steel Single Deflection
---	--	--