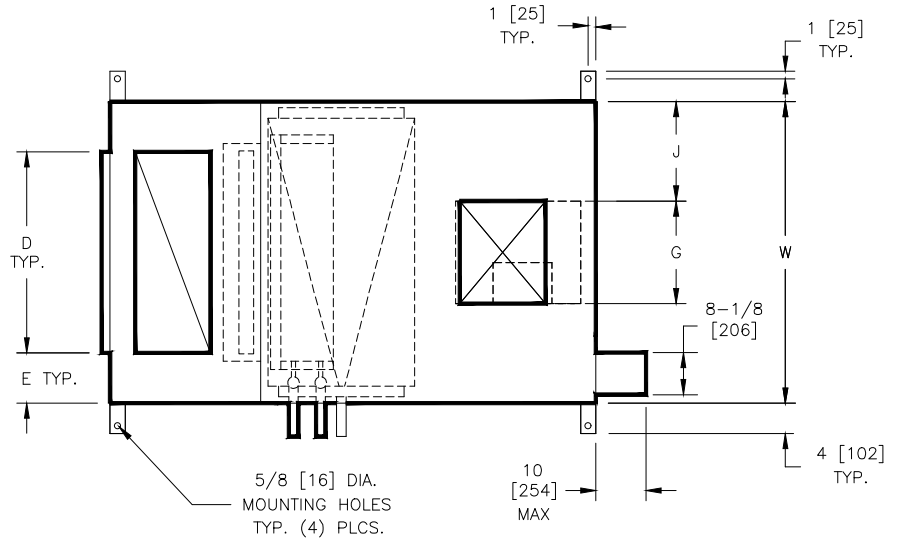
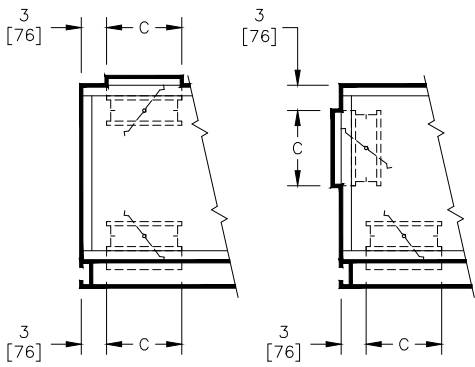


NOTES:

1. All dimensions are Inches [millimeters].
All dimensions are $\pm 1/4"$ [6mm]. Metric values are soft conversion.
2. Right hand unit shown, left hand unit opposite.
Motor/drive location may be specified Left or Right Hand. Standard control enclosure location matches motor/drive position.
3. Provide sufficient clearance to permit access to controls and comply with applicable codes and ordinances.
4. See drawing 35-80048 for filter rack details.
5. Outside and return air damper linkage is optional.
6. See coil connection detail drawings for coil connection sizes and locations.
7. High efficiency filter rack not available with mixing box.

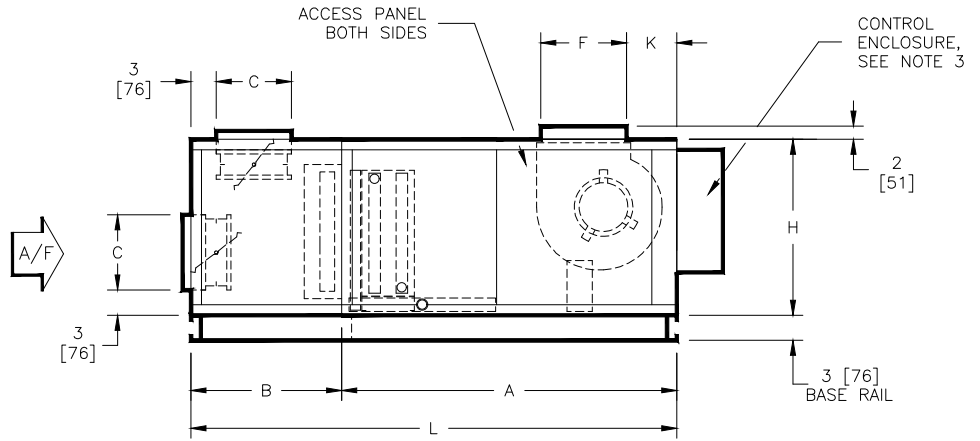


TOP VIEW



TOP/BTM INLET

REAR/BTM INLET



SIDE VIEWS

DIMENSIONS

SIZE	FAN SIZE	L	W	H	A	B	C	D	E	F	G	J	K
08	9 X 6 [229 X 152]	58 [1473]	30 [762]	21 [533]	40 [1016]	18 [457]	9 [229]	18 [457]	6 [152]	10-3/8 [264]	8-3/8 [213]	10-7/8 [276]	7 [178]
12	9 X 6 [229 X 152]	58 [1473]	36 [914]	21 [533]	40 [1016]	18 [457]	9 [229]	24 [610]	6 [152]	10-3/8 [264]	8-3/8 [213]	13-7/8 [352]	7 [178]
16	10 X 8 [254 X 203]	58 [1473]	44 [1118]	21 [533]	40 [1016]	18 [457]	9 [229]	30 [762]	7 [178]	11-1/2 [292]	10-5/8 [270]	16-5/8 [422]	7 [178]
20	10 X 8 [254 X 203]	61 [1549]	50 [1270]	22-1/2 [572]	40 [1016]	21 [533]	12 [305]	36 [914]	7 [178]	11-1/2 [292]	10-5/8 [270]	19-5/8 [498]	7 [178]
30	10 X 8 [254 X 203]	67 [1702]	59 [1499]	30 [762]	46 [1168]	21 [533]	12 [305]	45 [1143]	7 [178]	11-1/2 [292]	10-5/8 [270]	24-1/4 [616]	10-1/4 [260]
40	10 X 8 [254 X 203]	70 [1778]	68 [1727]	30 [762]	46 [1168]	24 [610]	15 [381]	48 [1219]	10 [254]	11-1/2 [292]	10-5/8 [270]	28-5/8 [727]	10-1/4 [260]

TITLE: MODEL HDD
DIRECT DRIVE BLOWER COIL UNIT
BASIC UNIT - DISCHARGE ARGT. 1
W/ MIXING BOX



DRN BY: VSC	DATE: 06/14/21	SCALE: NTS	DRAWING NO.
CKD BY: BL	DATE: 06/14/21	REV: A	35-80033

THIS DRAWING CONTAINS PROPRIETARY DATA.
UNAUTHORIZED DISCLOSURE, REPRODUCTION, OR USE
IS STRICTLY PROHIBITED WITHOUT WRITTEN PERMISSION

DO NOT SCALE DRAWING
DIMENSIONS AND DATA ARE SUBJECT TO CHANGE WITHOUT NOTICE.
CONTACT FACTORY FOR CERTIFIED DRAWINGS.