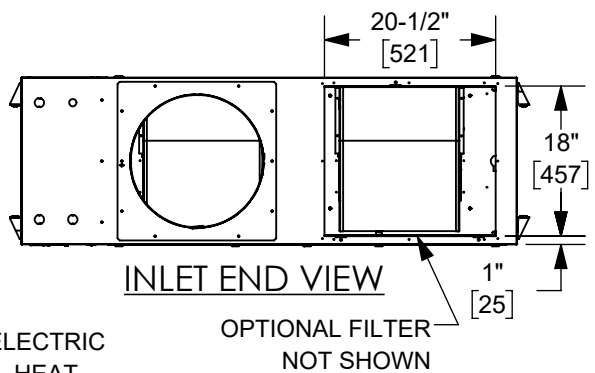
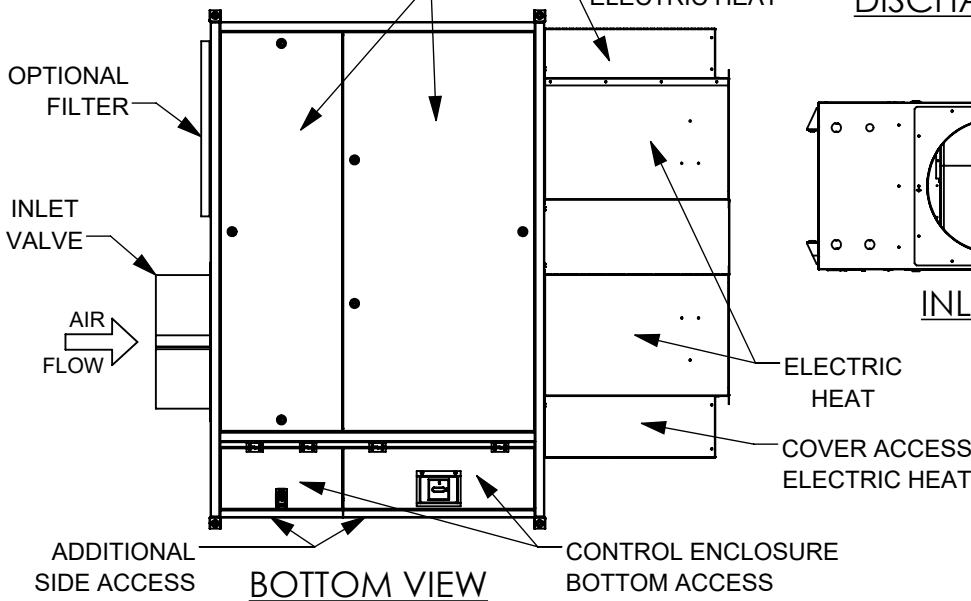


ACCESS SERVICE PANELS
(1) TOP & (2) BOTTOM PANELS

COVER ACCESS
ELECTRIC HEAT

DISCHARGE END VIEW



NOTES:

- All dimensions in Inches [millimeters]. All dimensions $\pm 1/4"$ [6mm].
- Left Hand Enclosure, Electric Heat shown, Right Hand are opposite. Handing determined by air flow hitting your back.
- Standard Control Enclosure is integrated into unit side. Includes (4) knockouts on (2) sides. Provide sufficient clearance to access electrical controls and comply with applicable codes and ordinances. 4. NEC clearance is either from the bottom or the side of the unit.

| INLET VALVE | | | |
|-------------|------------------|-------------------|------------------|
| DIA. | "A" | "B" | Ø "I" |
| 12" | 19-3/4" [502] | 41-1/8" [1045] | 11-7/8" [302] |
| 14" | 20-3/4" [527] | 40-1/8" [1019] | 13-7/8" [352] |
| 16" | 21-3/4" [553] | 39-1/8" [994] | 15-7/8" [403] |



THIS DRAWING CONTAINS PROPRIETARY DATA. UNAUTHORIZED DISCLOSURE, REPRODUCTION, OR USE IS STRICTLY PROHIBITED WITHOUT WRITTEN PERMISSION.

SUBMITTAL DRAWING
ALL DRAWINGS ARE SUBJECT TO CHANGE WITHOUT PRIOR NOTICE

DO NOT SCALE DRAWING
DIMENSIONS ARE IN INCH (MM) FORMAT +/- 1/8 (3) UNLESS OTHERWISE NOTED

TITLE:

**MODEL CRB SIZES 35 & 45,
W/ ELECTRIC HEAT**

DATE

11/09/21

SHEET

PAGE 1 OF 1

DRAWING NO

10-80133

REV

A