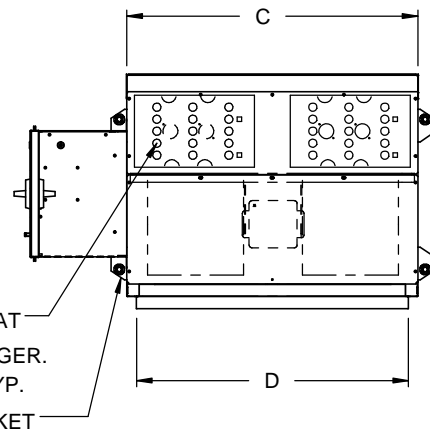
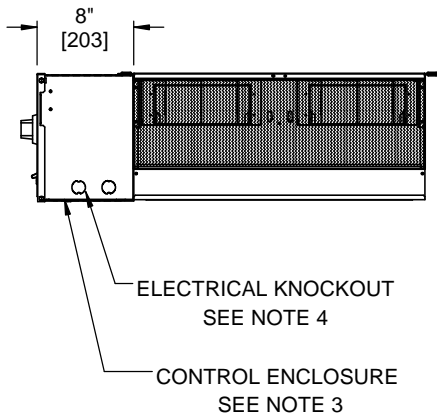


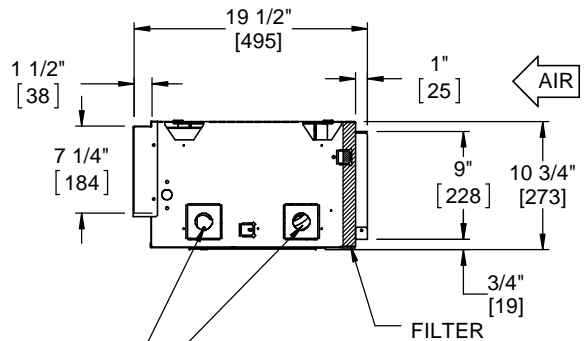
**TOP VIEW**



**BOTTOM VIEW**



**FRONT VIEW**



**SIDE VIEW**

<b>DIMENSIONS</b>				
UNIT SIZE	A	B	C	D
02	16" [406]	17 1/4" [438]	16" [406]	13 3/16" [335]
03	19 1/4" [489]	20 1/2" [521]	19 1/4" [489]	16 7/16" [418]
04	24 1/4" [616]	25 7/16" [646]	24 1/4" [616]	22 11/16" [576]
06	31" [787]	32 1/4" [819]	31" [787]	29 7/16" [748]
08	38" [965]	39 1/4" [997]	38" [965]	36 7/16" [925]
09	42 1/4" [1073]	43 5/16" [1100]	42 1/4" [1073]	40 1/2" [1029]
10	52" [1321]	53 1/4" [1353]	52" [1321]	50 7/16" [1281]
12	60" [1524]	60 1/4" [1530]	60" [1524]	57 1/2" [1461]

**NOTES:**

1. All dimensions in Inches [millimeters]. All dimensions  $\pm 1/4"$  [6mm]. Metric values are soft conversion.
2. Left hand unit shown, right hand unit opposite.
3. Standard control enclosure is mounted on unit side opposite cooling coil connections. Unit casing includes (2) knockouts on each side. Provide sufficient clearance to access electrical controls and comply with applicable codes and ordinances.

UNCONTROLLED WHEN PRINTED



THIS DRAWING CONTAINS PROPRIETARY DATA. UNAUTHORIZED DISCLOSURE, REPRODUCTION, OR USE IS STRICTLY PROHIBITED WITHOUT WRITTEN PERMISSION.

**SUBMITTAL DRAWING**  
ALL DRAWINGS ARE SUBJECT TO CHANGE WITHOUT PRIOR NOTICE

**DO NOT SCALE DRAWING**  
DIMENSIONS ARE IN INCHES UNLESS OTHERWISE NOTED

TITLE:

**MODEL HLP  
FAN COIL UNIT SERIES D EH ONLY**

DATE

01/18/16

SHEET

PAGE 1 OF 1

DRAWING NO

47-80113

REV

00