

Ø 3/4" FLEXIBLE METAL CONDUIT PROVIDED STANDARD

5X Ø 7/8" [22] K.O.

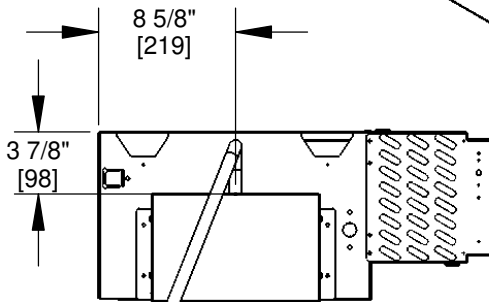
LEFT HAND CW COIL SHOWN

DRAINPAN HIDDEN FOR CLARITY

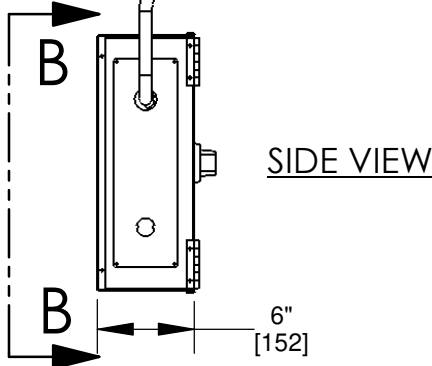
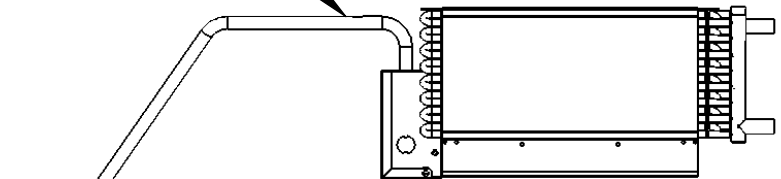
ELECTRIC HEAT SECTION (BOTTOM ACCESS)

ISO VIEW

JUNCTION BOX PROVIDED OPPOSITE CW COIL CONNECTIONS

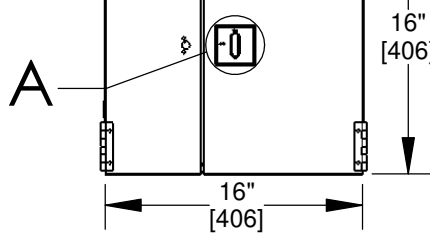


72" [1829] NOMINAL CONDUIT LENGTH.

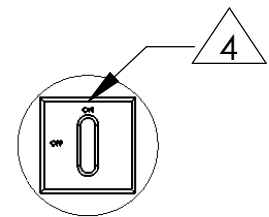


SIDE VIEW

4 REMOTE ENCLOSURE POSITION AND ORIENTATION RELATIVE TO UNIT NOT SPECIFIED BY FACTORY.

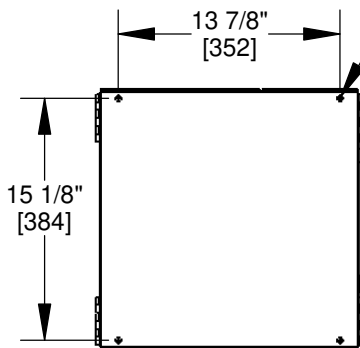


FRONT VIEW



DETAIL A

4X Ø .188 [5] THRU HOLE (MOUNTING HARDWARE NOT FACTORY PROVIDED)



SECTION B-B

NOTES:

1. All dimensions in Inches [millimeters]. All dimensions ± 1/4" [6mm]. Metric values are soft conversion.
2. Left hand unit shown; right hand opposite.
3. Follow NEC guidelines for mounting and installation.
4. When mounting remote access onto vertical surface - disconnect position "ON" must be oriented up.
5. Remote enclosure and unit ship connected by conduit as shown.

UNCONTROLLED WHEN PRINTED



THIS DRAWING CONTAINS PROPRIETARY DATA. UNAUTHORIZED DISCLOSURE, REPRODUCTION, OR USE IS STRICTLY PROHIBITED WITHOUT WRITTEN PERMISSION.

SUBMITTAL DRAWING
ALL DRAWINGS ARE SUBJECT TO CHANGE WITHOUT PRIOR NOTICE

DO NOT SCALE DRAWING
DIMENSIONS ARE IN INCH [MM] FORMAT +1/16 [3] UNLESS OTHERWISE NOTED

TITLE: **HLF-D WITH ELECTRIC HEAT
REMOTE ELECTRICAL ENCLOSURE 16 X 16**

DATE	SHEET	DRAWING NO	REV
10/04/19	PAGE 1 OF 1	47-80132	A