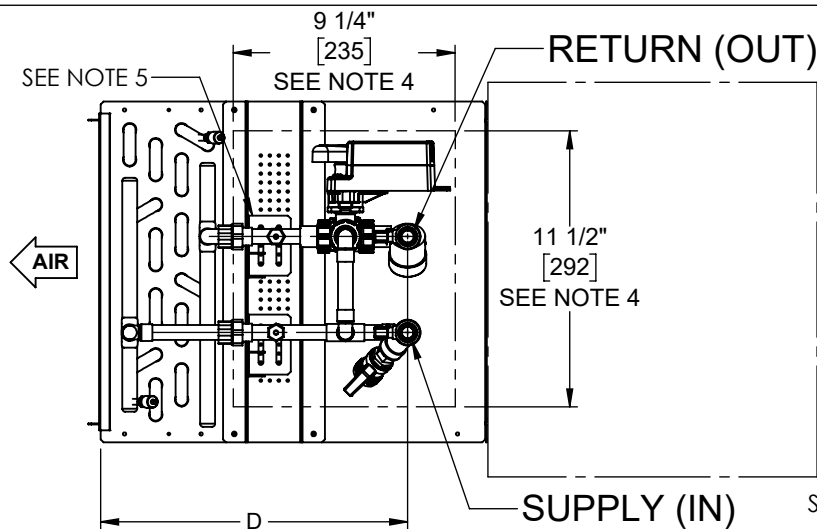
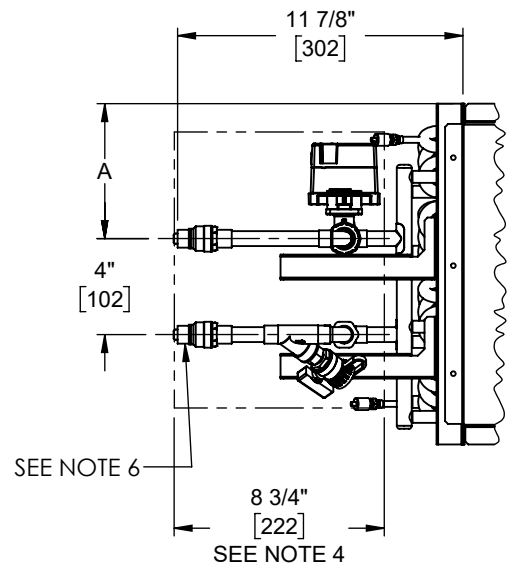
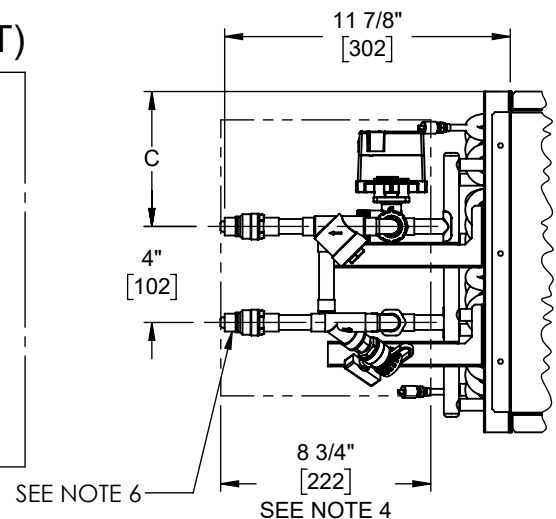


CRB/CRQ WITH MOD/PROP 2-WAY VALVE PACK
 (LEFT HAND SHOWN)
 (RIGHT HAND OPPOSITE)



CRB/CRQ WITH MOD/PROP 3-WAY VALVE PACK
 (LEFT HAND SHOWN)
 (RIGHT HAND OPPOSITE)



NOTES:

1. All dimensions are in inches [millimeters]
 All dimensions may have ±1/2 [13mm] variation.
 Metric values are soft conversion.
2. All drawings subject to change without notice.
3. Consult unit selection summary for valve package components and specifications. Valve package end point dimensions are fixed value, regardless of selected valve package components.
4. Dimensions indicate space requirement for valve-package install. Additional service space requirements depend on option selections.
5. Valve package support structure can be removed.
6. SS flexible hoses are available but not shown.

UNIT SIZE	COIL ROWS	A	B	C	D
07/10	1/2/3	5-5/8" [143]	12-7/8" [329]	5-5/8" [143]	13-1/8" [333]
	4	5-5/8" [143]	12-5/8" [321]	5-5/8" [143]	12-3/4" [325]
12/15/20/25	1/2/3	7-1/16" [179]	13" [331]	7-1/16" [179]	13" [331]
	4	7-1/16" [179]	12-5/8" [321]	7-1/16" [179]	12-3/4" [325]



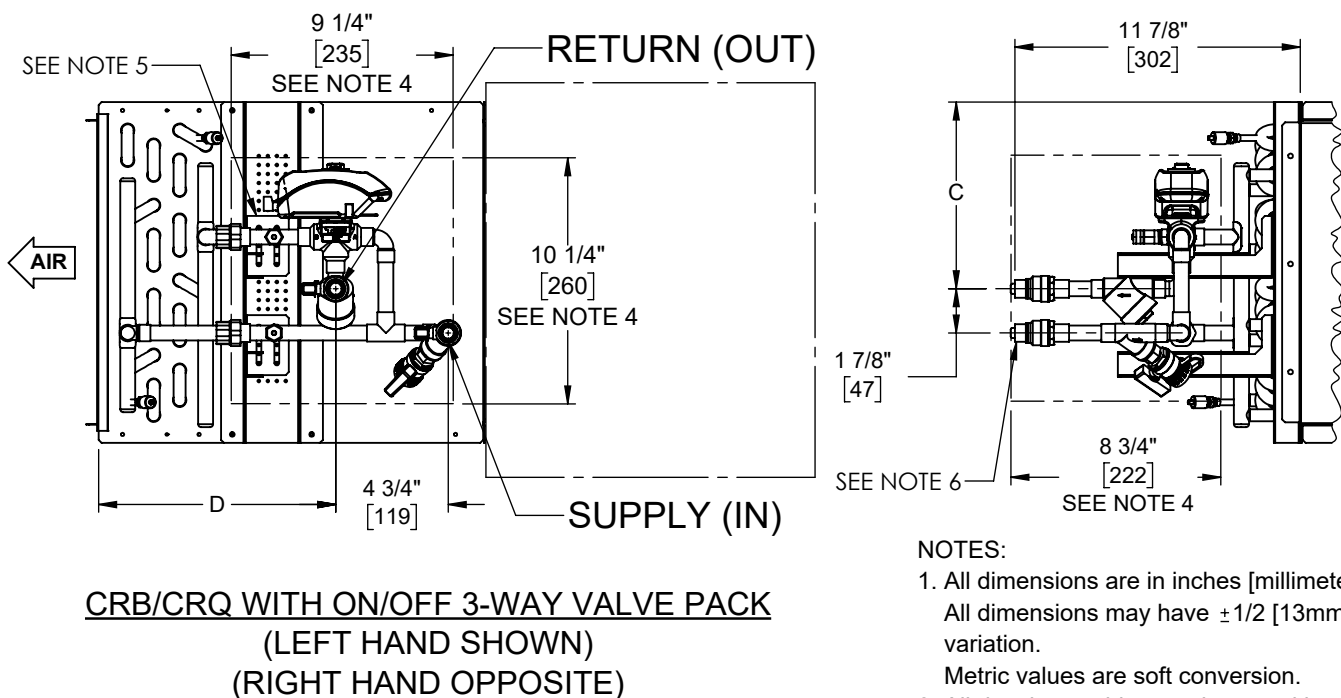
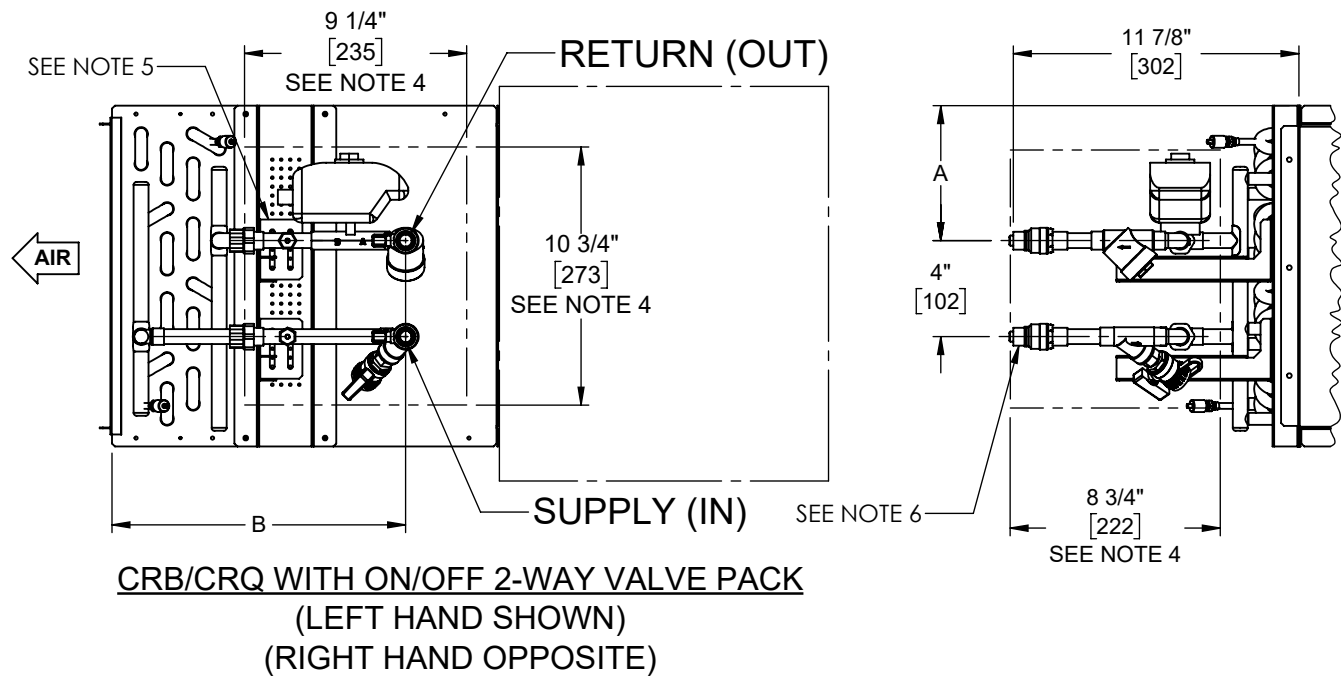
THIS DRAWING CONTAINS PROPRIETARY DATA. UNAUTHORIZED DISCLOSURE, REPRODUCTION, OR USE IS STRICTLY PROHIBITED WITHOUT WRITTEN PERMISSION.

SUBMITTAL DRAWING
 ALL DRAWINGS ARE SUBJECT TO CHANGE WITHOUT PRIOR NOTICE

DO NOT SCALE DRAWING
 DIMENSIONS ARE IN INCH (MM) FORMAT
 +/- 1/8 (3) UNLESS OTHERWISE NOTED

TITLE: **MODEL CRB & CRQ, 1/2" DIA COIL, VALVE PACKAGE CONNECTIONS**

DATE	SHEET	DRAWING NO	REV
7/9/2020	PAGE 1 OF 3	10-80051	A



- NOTES:**
1. All dimensions are in inches [millimeters]
All dimensions may have $\pm 1/2$ [13mm] variation.
Metric values are soft conversion.
 2. All drawings subject to change without notice.
 3. Consult unit selection summary for valve package components and specifications. Valve package end point dimensions are fixed value, regardless of selected valve package components.
 4. Dimensions indicate space requirement for valve-package install. Additional service space requirements depend on option selections.
 5. Valve package support structure can be removed.
 6. SS flexible hoses are available but not shown.

UNIT SIZE	COIL ROWS	A	B	C	D
07/10	1/2/3	5-5/8" [143]	12-1/2" [319]	7-3/4" [198]	10-1/8" [259]
	4	5-5/8" [143]	12-1/4" [311]	7-3/4" [198]	9-7/8" [251]
12/15/20/25	1/2/3	7-1/16" [179]	12-1/2" [319]	9-1/2" [233]	10-1/8" [259]
	4	7-1/16" [179]	12-1/4" [311]	9-1/2" [233]	9-7/8" [251]



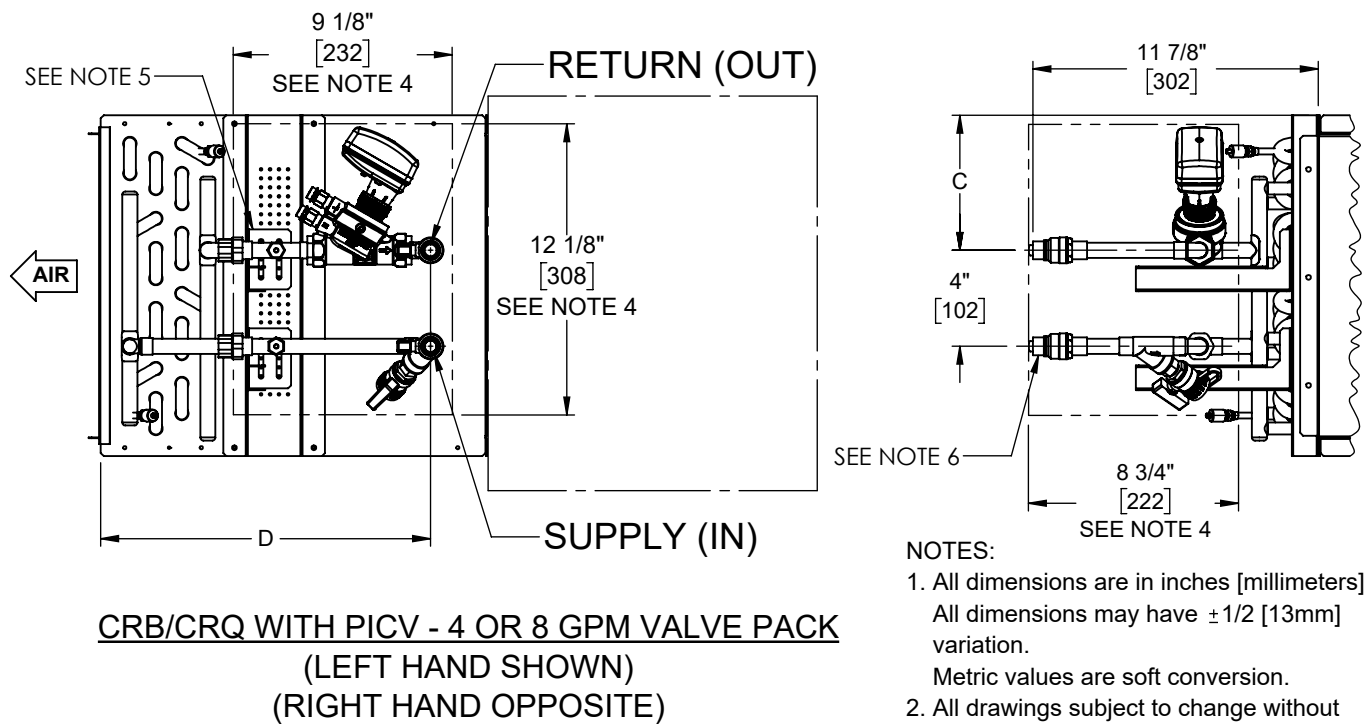
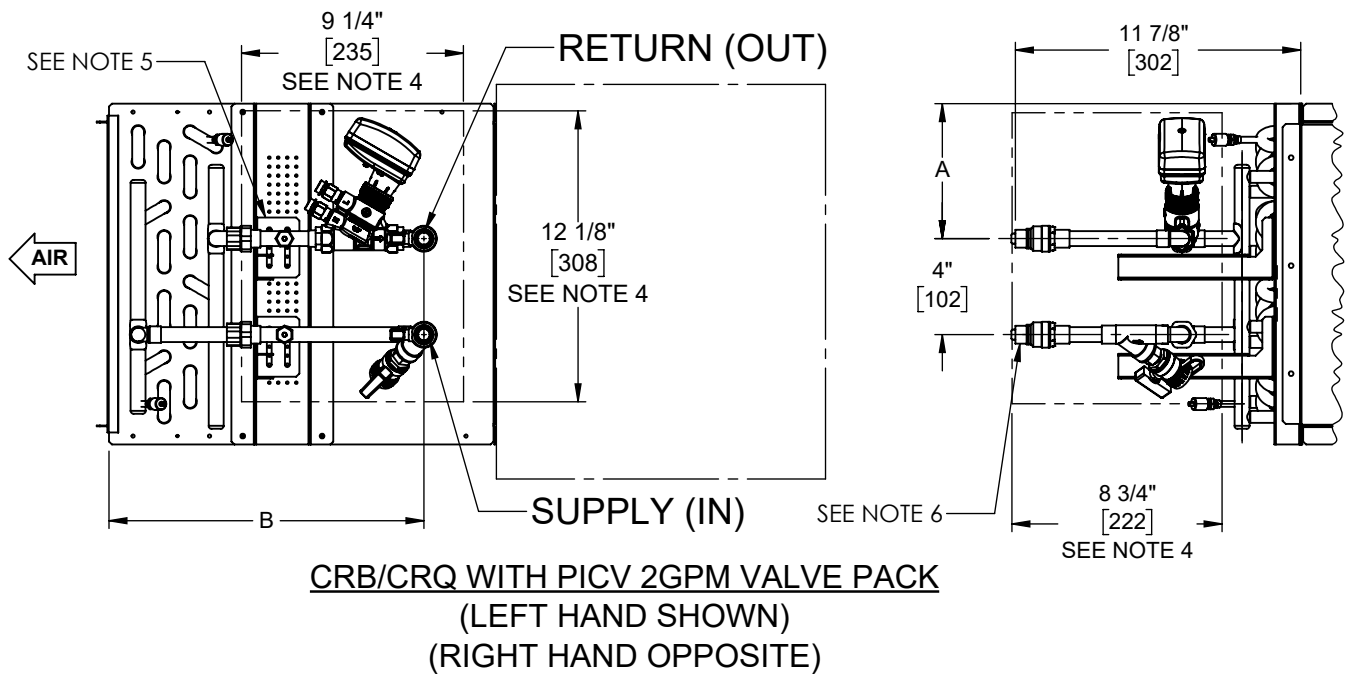
THIS DRAWING CONTAINS PROPRIETARY DATA. UNAUTHORIZED DISCLOSURE, REPRODUCTION, OR USE IS STRICTLY PROHIBITED WITHOUT WRITTEN PERMISSION.

SUBMITTAL DRAWING
ALL DRAWINGS ARE SUBJECT TO CHANGE WITHOUT PRIOR NOTICE

DO NOT SCALE DRAWING
DIMENSIONS ARE IN INCH (MM) FORMAT
+/- 1/8 (3) UNLESS OTHERWISE NOTED

TITLE: **MODEL CRB & CRQ, 1/2" DIA COIL, VALVE PACKAGE CONNECTIONS**

DATE	SHEET	DRAWING NO	REV
7/9/2020	PAGE 2 OF 3	10-80051	A



- NOTES:**
1. All dimensions are in inches [millimeters]
All dimensions may have ±1/2 [13mm] variation.
Metric values are soft conversion.
 2. All drawings subject to change without notice.
 3. Consult unit selection summary for valve package components and specifications. Valve package end point dimensions are fixed value, regardless of selected valve package components.
 4. Dimensions indicate space requirement for valve-package install. Additional service space requirements depend on option selections.
 5. Valve package support structure can be removed.
 6. SS flexible hoses are available but not shown.

UNIT SIZE	COIL ROWS	A	B	C	D
07/10	1/2/3	5-5/8" [143]	13-3/8" [341]	5-5/8" [143]	14" [357]
	4	5-5/8" [143]	13-1/8" [333]	5-5/8" [143]	13-3/4" [349]
12/15/20/25	1/2/3	7-1/16" [179]	13-3/8" [341]	7-1/16" [179]	14" [357]
	4	7-1/16" [179]	13-1/8" [333]	7-1/16" [179]	13-3/4" [349]



THIS DRAWING CONTAINS PROPRIETARY DATA. UNAUTHORIZED DISCLOSURE, REPRODUCTION, OR USE IS STRICTLY PROHIBITED WITHOUT WRITTEN PERMISSION.

SUBMITTAL DRAWING
ALL DRAWINGS ARE SUBJECT TO CHANGE WITHOUT PRIOR NOTICE

DO NOT SCALE DRAWING
DIMENSIONS ARE IN INCH [MM] FORMAT +/- 1/8 [3] UNLESS OTHERWISE NOTED

TITLE: **MODEL CRB & CRQ, 1/2" DIA COIL, VALVE PACKAGE CONNECTIONS**

DATE	SHEET	DRAWING NO	REV
7/9/2020	PAGE 3 OF 3	10-80051	A