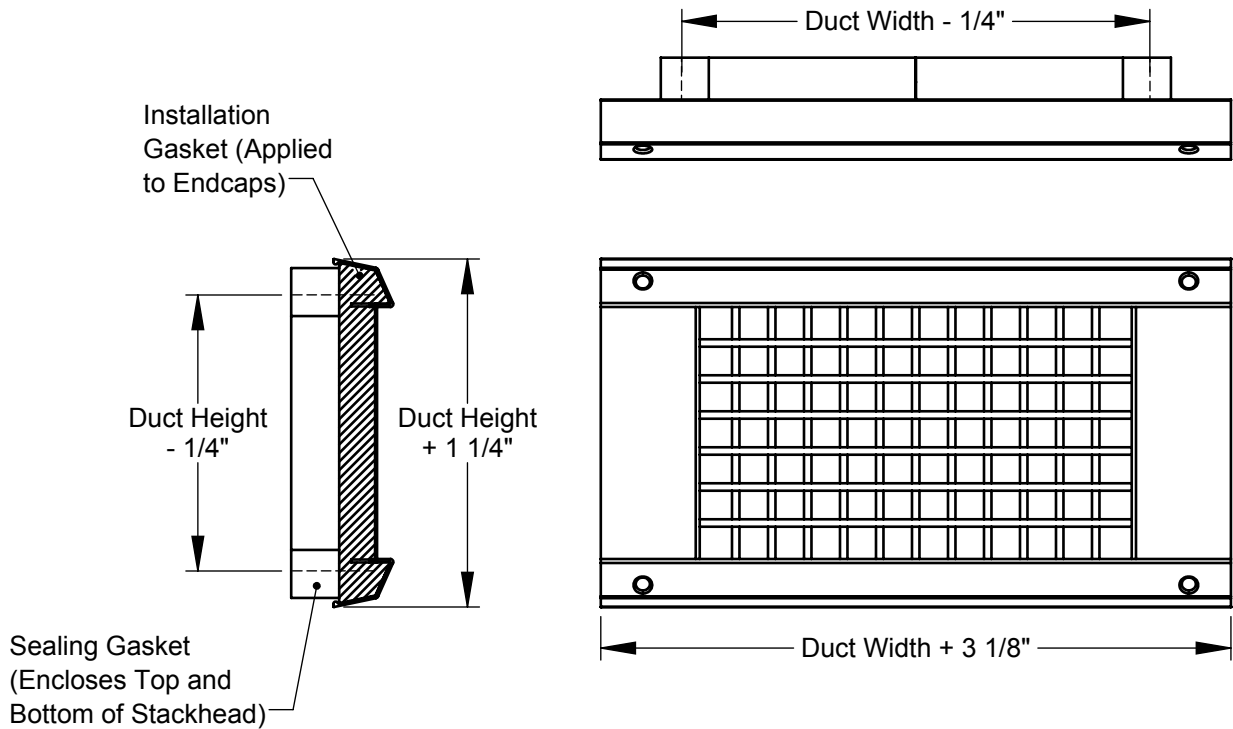


- Double deflection supply grille
- Universal endcaps
- Aluminum construction
- Individually adjustable blades on 3/4" centers
- Installation and sealing gaskets
- Horizontal front blades: SDA54-U
- Vertical front blades: SDA64-U
- Optional damper/extractor available
- Standard finish is White (WH)



SDA54-U



SDA64-U



Options:

- White (WH)
- Aluminum Paint (AP)
- Off-White (OW)
- Flat Black (FP)
- Match Paint (MP)
- Screw Operated Extractor

Height	3	4	6	8	10
Duct Diameter (Min / Max)	6 / 36	10 / 36	12 / 36	20 / 36	24 / 36
Width (Min / Max)	10 / 48		14 / 48		16 / 48

Dimensions in inches

Job: _____	Tag: _____	SDA54-U, SDA64-U Double Deflection, Aluminum Spiral Duct Grilles with Universal Endcaps
Location: _____	Submitted By: _____	
Architect: _____	SD - 2177	
Engineer: _____	Rev: B (06/18)	
Contractor: _____		

These drawings do not detail every aspect of the product. This submittal demonstrates general product dimensions; drawings are not to scale. Tuttle & Bailey reserves the right to make changes without notice. Copyright © 2018 Tuttle & Bailey www.tuttleandbailey.com