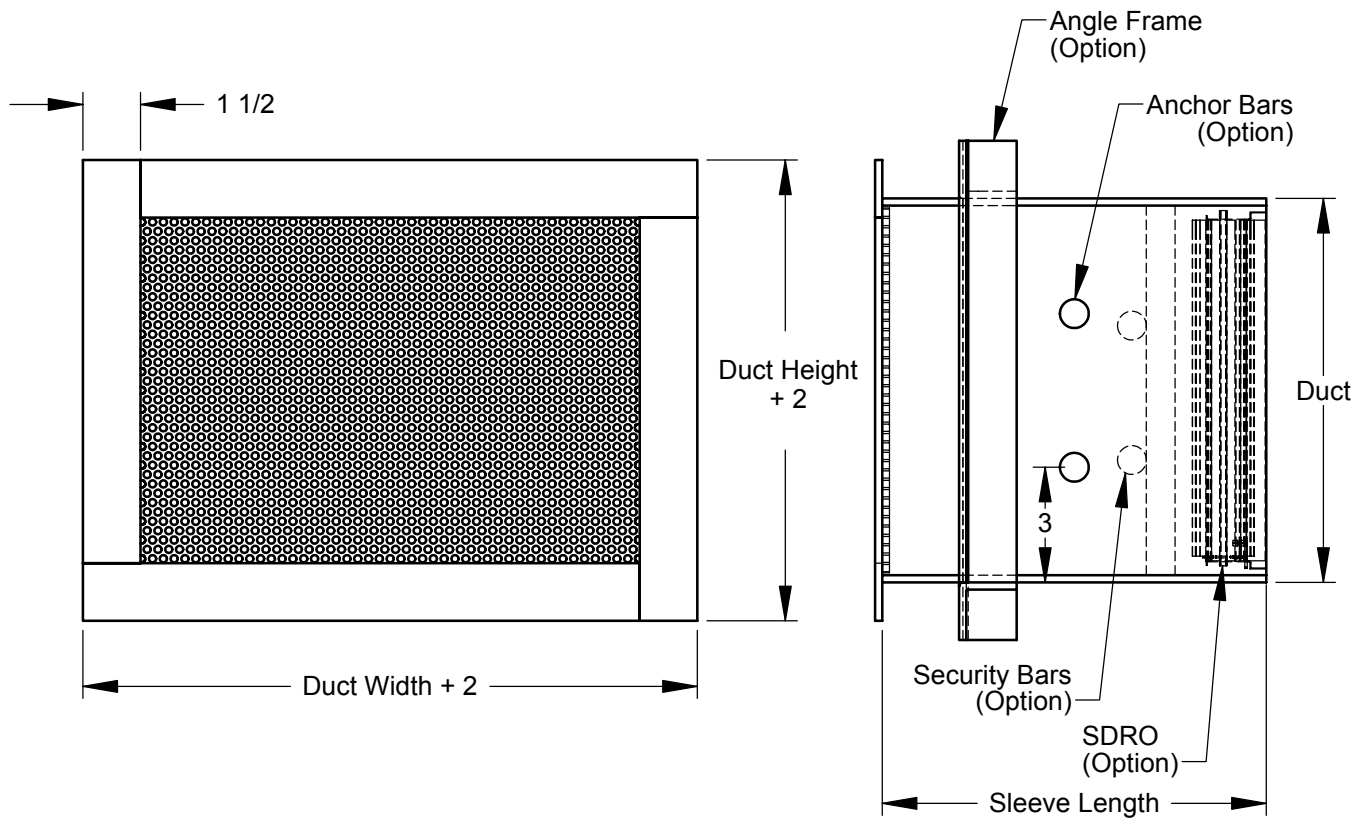


- Perforated face with 3/16" holes on 9/32" staggered centers
- Face, border, and sleeve are all 3/16" thick steel with welded construction
- Available sizes are 6"x4" to 30"x30" (W x H) in 2" increments (9"x9" is only odd size)
- Available sleeve lengths are 6", 8", 10", 12" and 18"
- Optional steel opposed blade damper (SDRO) with rear operator is welded in place
- Optional Angle Frame is 1 1/2" x 1 1/2" and is shipped loose for field installation
- Optional Anchor Bars are 3" long, 3/4" diameter bars welded to the outside of the sleeve
- Optional Security Bars are 3/4" diameter bars and welded to the inside of the sleeve


Optional Finishes:

White (WH)
Mill (ML)

Accessories:

SDRO
Angle Frame
Anchor Bars
Security Bars (See SD-1838)

Dimensions in inches

Tuttle & Bailey designed this product as a "Suicide Deterrent" and makes no claim as to this product being "Suicide Proof"

Job: _____
Location: _____
Architect: _____
Engineer: _____
Contractor: _____

Submitted By: _____

SG200-SD
Security Supply/Return Grille
Maximum Security
Suicide Deterrent

SD-1907

Rev: A (06/05)