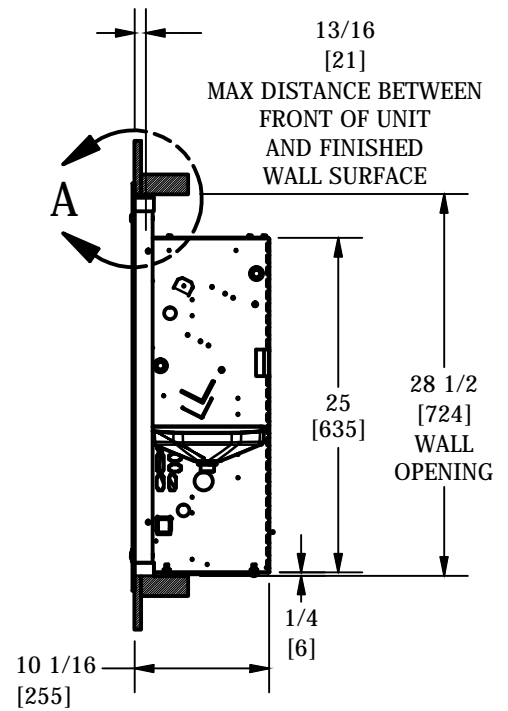
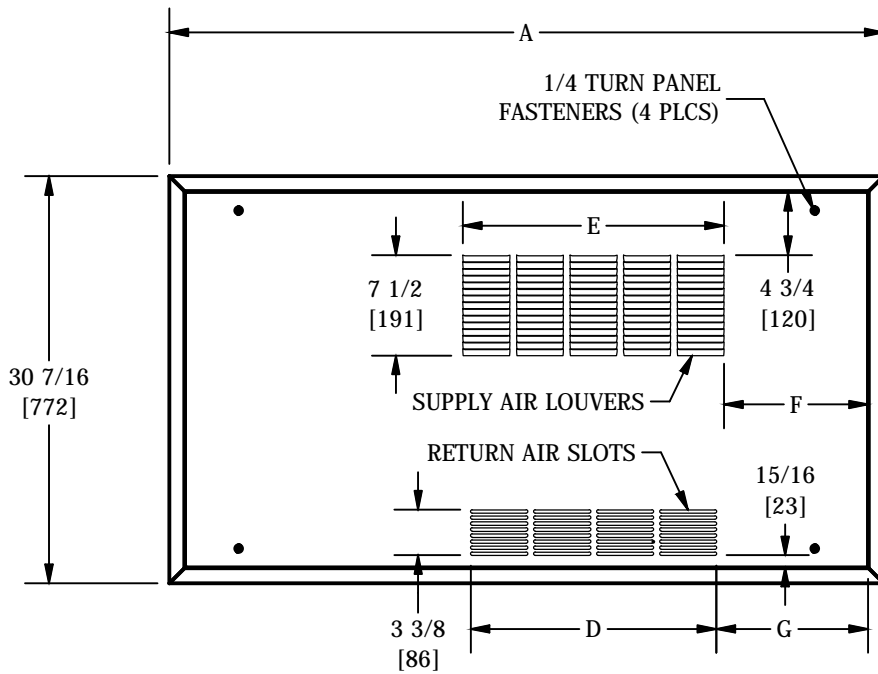
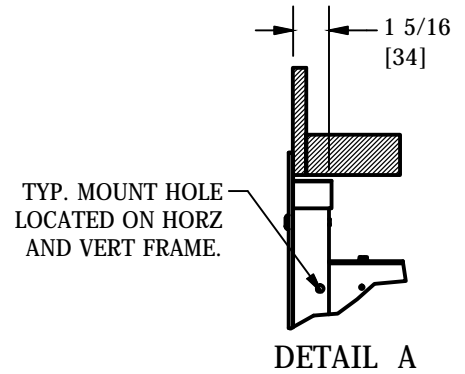
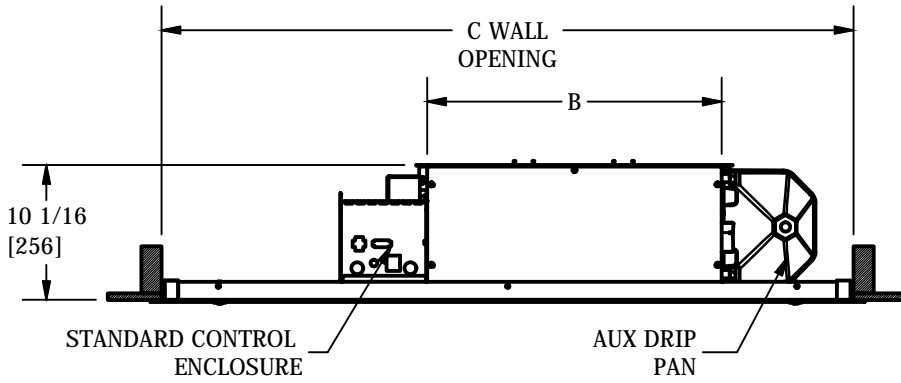


NOTES:

1. All dimensions are Inches [millimeters]. All dimensions are $\pm 1/4"$ [6mm]. Metric values are soft conversion.
2. Wall panel provides air seal at front of unit. Installed location is critical to proper unit operation.
3. Install unit centered in wall opening dimensions shown.
4. Unit may require raised support to achieve proper vertical alignment with wall panel.
5. Left hand panel shown, right hand panel opposite.
6. Mounting hardware furnished by others.

DIMENSIONS

UNIT SIZE	A	B	C	D	E	F	G
02	53 7/16 [1357]	22 [559]	51 11/16 [1313]	18 3/8 [467]	19 1/2 [495]	10 3/4 [273]	11 5/16 [288]
03	57 7/16 [1459]	26 [660]	55 11/16 [1414]	23 1/16 [586]	23 1/2 [597]	10 3/4 [273]	11 [279]
04	63 7/16 [1611]	32 [813]	61 11/16 [1567]	27 3/4 [705]	27 1/2 [699]	11 3/4 [298]	11 10/16 [295]
06	73 7/16 [1865]	42 [1067]	71 11/16 [1821]	37 1/8 [943]	39 1/2 [1003]	10 3/4 [273]	11 15/16 [303]
08	75 7/16 [1916]	44 [1118]	73 11/16 [1872]	41 7/8 [1064]	39 1/2 [1003]	11 3/4 [298]	10 9/16 [269]
10	89 7/16 [2272]	58 [1473]	87 11/16 [2227]	55 15/16 [1421]	55 1/2 [1410]	10 3/4 [273]	10 9/16 [269]
12	97 7/16 [2475]	66 [1676]	95 11/16 [2430]	60 5/8 [1540]	63 1/2 [1613]	10 3/4 [273]	12 3/16 [309]



TITLE: MODEL VFC RECESSED WALL EXTENDED PANEL, FRONT SUPPLY AND RETURN



DRN BY: GMA	DATE: 2/28/11	SCALE: NA	DRAWING NO.
CKD BY: ML	DATE: 07/31/15	REV: 02	51-80091

THIS DRAWING CONTAINS PROPRIETARY DATA. UNAUTHORIZED DISCLOSURE, REPRODUCTION, OR USE IS STRICTLY PROHIBITED WITHOUT WRITTEN PERMISSION

DO NOT SCALE DRAWING. DIMENSIONS AND DATA ARE SUBJECT TO CHANGE WITHOUT NOTICE. CONTACT FACTORY FOR CERTIFIED DRAWINGS.