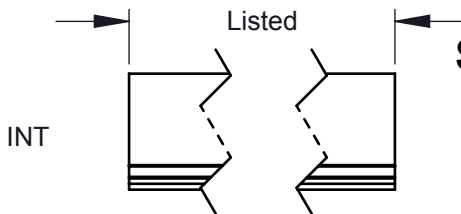
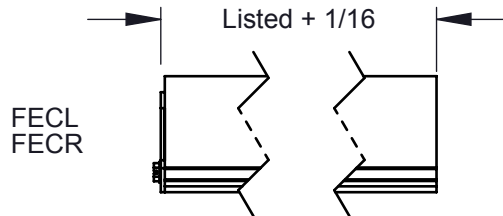
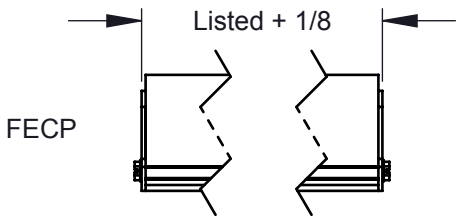
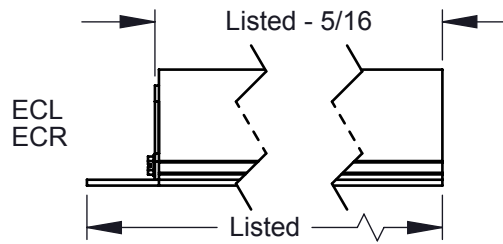
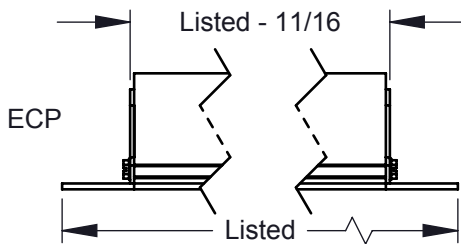
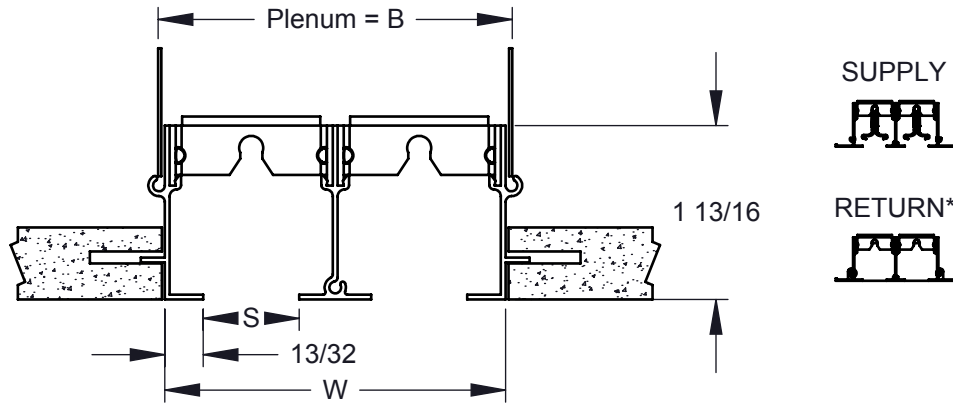


- Extruded aluminum construction
- Available slot widths are 1/2", 3/4", 1", 1 1/2", and 2"
- Available for 1 thru 8 slots for slot widths 1/2"-1", 1 thru 4 slots for 1 1/2"-2"
- Maximum single piece length is 72" (longer units will ship as multiple sections)
- Standard finish is painted white margins with black pattern controllers



Slot Width	
050	075
100	150
200	

Finish	
White	Mill
Clear Anodized	Aluminum Paint
Off White	Flat Black
Match Paint	

050 (1/2" slot width)		
# Slots	W	B
1	1 3/8	1 7/16
2	2 5/8	2 11/16
3	3 7/8	3 15/16
4	5 1/8	5 3/16
5	6 3/8	6 7/16
6	7 5/8	7 11/16
7	8 7/8	8 15/16
8	10 1/8	10 3/16

075 (3/4" slot width)		
# Slots	W	B
1	1 5/8	1 11/16
2	3 1/8	3 3/16
3	4 5/8	4 11/16
4	6 1/8	6 3/16
5	7 5/8	7 11/16
6	9 1/8	9 3/16
7	10 5/8	10 11/16
8	12 1/8	12 3/16

100 (1" slot width)		
# Slots	W	B
1	1 7/8	1 15/16
2	3 5/8	3 11/16
3	5 3/8	5 7/16
4	7 1/8	7 3/16
5	8 7/8	8 15/16
6	10 5/8	10 11/16
7	12 3/8	12 7/16
8	14 1/8	14 3/16

150 (1 1/2" slot width)		
# Slots	W	B
1	2 3/8	2 7/16
2	4 5/8	4 11/16
3	6 7/8	6 15/16
4	9 1/8	10 15/16

200 (2" slot width)		
# Slots	W	B
1	2 7/8	2 15/16
2	5 5/8	5 11/16
3	8 3/8	8 7/16
4	11 1/8	12 15/16

*NOTE: Return option not available for 1 1/2" and 2" slot widths

Dimensions in inches

Job: _____	Tag: _____	6000 Slot Diffuser "S" Margin
Location: _____	Submitted By: _____	
Architect: _____		
Engineer: _____		
Contractor: _____	SD - 2116 Rev: D (11/12)	