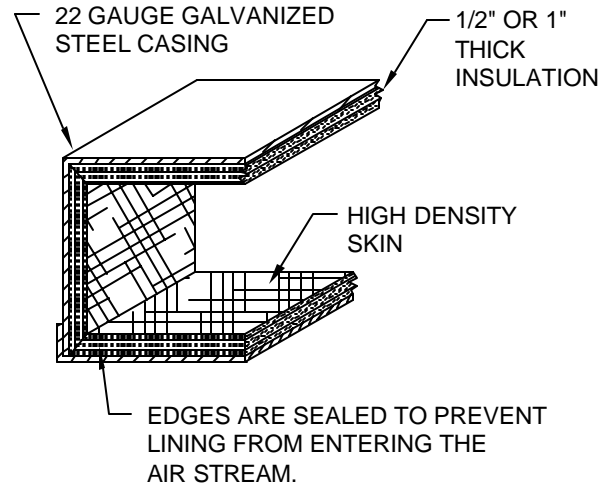


1/2" AND 1" Dual Density Liner

NOTES:

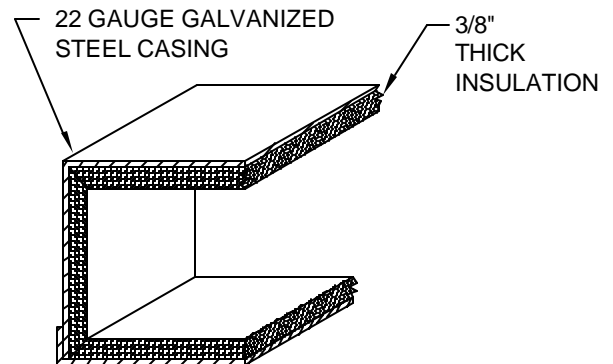
- 1/2" OR 1" THICK FIBERGLASS LINING COVERED BY A HIGH DENSITY SKIN TO KEEP THE FIBERGLASS OUT OF THE AIR STREAM.
- HIGH DENSITY SKIN IS RATED FOR 3600 FPM.
- COMPLIES WITH NFPA 90 A/B, UL 181, AND ASTM C 1071.
- THERMAL CONDUCTANCE OF .52 BTU/(HR*FT²*°F)
- LINING IS SECURED TO THE TERMINAL UNIT BY ADHESIVE.
- ALL EDGES ARE SEALED TO PREVENT FIBERGLASS FROM ENTERING THE AIRSTREAM.



ENVIROSEAL

NOTES:

- 3/8" THICK ENGINEERED POLYMER FOAM INSULATION.
- COMPLIES WITH NFPA 90 A/B, UL 181, AND ASTM C 534.
- THERMAL CONDUCTANCE OF .25 BTU/(HR*FT²*°F)
- LINING IS SECURED TO THE TERMINAL UNIT BY ADHESIVE.



JOB NAME: _____
 LOCATION: _____
 ARCHITECT: _____
 ENGINEER: _____
 CONTRACTOR: _____

SUBMITTED BY:

REV LEVEL: A

DATE: 2/02

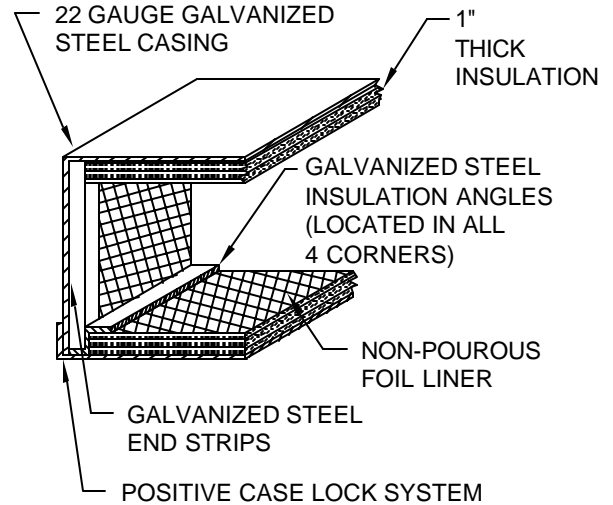
DWG NO: SD-7206

DSV TERMINAL UNIT
 INSULATION LINER OPTIONS

INSUL GUARD™

NOTES:

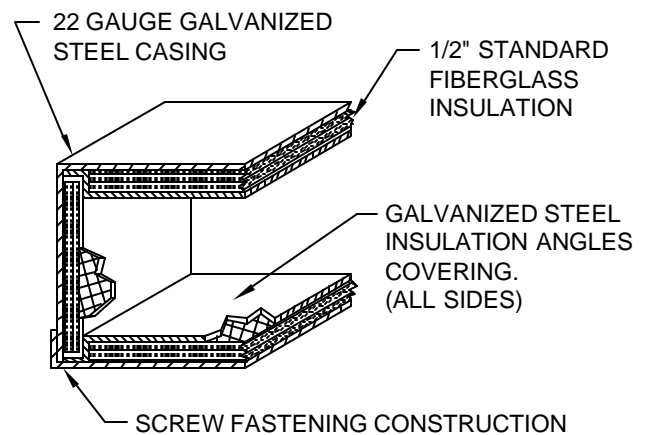
- NON-POROUS FOIL LINER REINFORCED WITH FIBERGLASS SCRIM RETAINS FIBERS OUT OF AIR STREAM
- WASHABLE LINER GUARDS AGAINST GROWTH OF MOLD, SPORES AND BACTERIA
- RIGID 1" THICK FIBERGLASS INSULATION HAS 4 LB DENSITY AND THERMAL CONDUCTIVITY OF .24 BTU/(HR*FT²*°F)
- MEETS MECHANICAL STANDARDS UL181 AND NFPA 90A/B, BACTERIA STANDARD ASTM G22, AND UL 723.
- INSUL GUARD™ MECHANICAL FASTENING SYSTEM AND GALVANIZED STEEL SEALING STRIPS IN EACH CORNER INCREASES UNIT RIGIDITY



GALVANIZED SHEET METAL LINER

NOTES:

- 1/2" STANDARD LINER COVERED WITH SHEET METAL.
- NO EDGES OF THE LINER UNDERNEATH THE SHEET METAL ARE EXPOSED



JOB NAME: _____
 LOCATION: _____
 ARCHITECT: _____
 ENGINEER: _____
 CONTRACTOR: _____

SUBMITTED BY:

REV LEVEL: A

DATE: 2/02

DWG NO: SD-7206-2

DSV TERMINAL UNIT
 INSULATION LINER OPTIONS