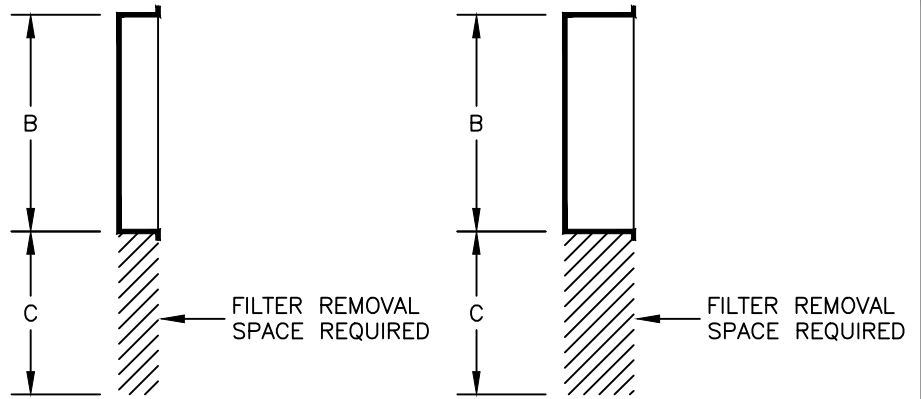
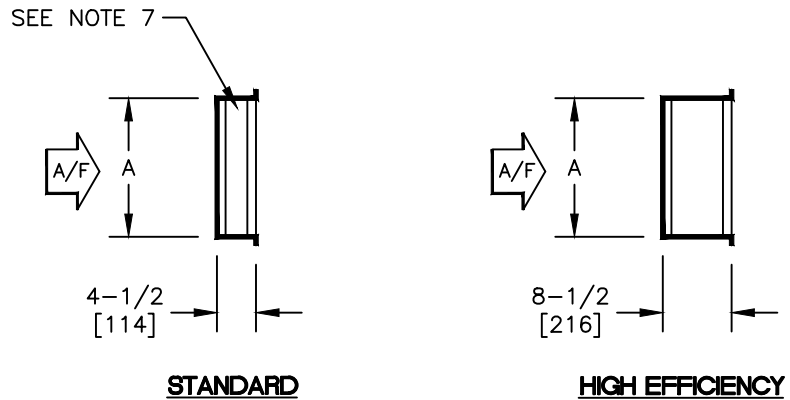


**NOTES:**

1. All dimensions are Inches [millimeters].  
All dimensions  $\pm 1/4"$  [6mm].  
Metric values are soft conversion.
2. Flat filter rack may be located at unit inlet as required.
3. Standard rack will accept nominal 1" or 2" thick filters.
4. High eff. rack will accept nominal 2" and/or 4" thick filters.
5. High eff. rack not available on "HM" and "VM" units.
6. 1" duct connection space provided on entering side of rack for connection of field ductwork.
7. Hinged cover provided on both sides of externally mounted filter racks. Internal standard filter racks have pivoting bar type filter retainer.
8. See individual unit submittal drawings for location of filter rack on unit.



**TOP VIEWS**



**SIDE VIEWS**

**DIMENSIONS - In [mm]**

UNIT SIZE	A	B	C	QTY & SIZE FILTERS
08	16 [406]	20 [508]	20 [508]	(1) 16 X 20
12	16 [406]	25 [635]	25 [635]	(1) 16 X 25
16	16 [406]	39-1/2 [1003]	20 [508]	(2) 16 X 20
20	16 [406]	44-1/2 [1130]	25 [635]	(1) 16 X 20 (1) 16 X 25
30	25 [635]	51 [1295]	25 [635]	(2) 16 X 25 (1) 20 X 25
40	25 [635]	59 [1499]	25 [635]	(3) 20 X 25

**TITLE:**  
 MODEL HDD/VDD  
 DIRECT DRIVE BLOWER COIL UNIT  
 STANDARD FLAT FILTER RACK



DRN BY: VSC	DATE: 05/09/18	SCALE: NTS	DRAWING NO.
CKD BY: CV	DATE: 05/09/18	REV: 00	35-80048

THIS DRAWING CONTAINS PROPRIETARY DATA.  
 UNAUTHORIZED DISCLOSURE, REPRODUCTION, OR USE  
 IS STRICTLY PROHIBITED WITHOUT WRITTEN PERMISSION

DO NOT SCALE DRAWING  
 DIMENSIONS AND DATA ARE SUBJECT TO CHANGE WITHOUT NOTICE.  
 CONTACT FACTORY FOR CERTIFIED DRAWINGS.