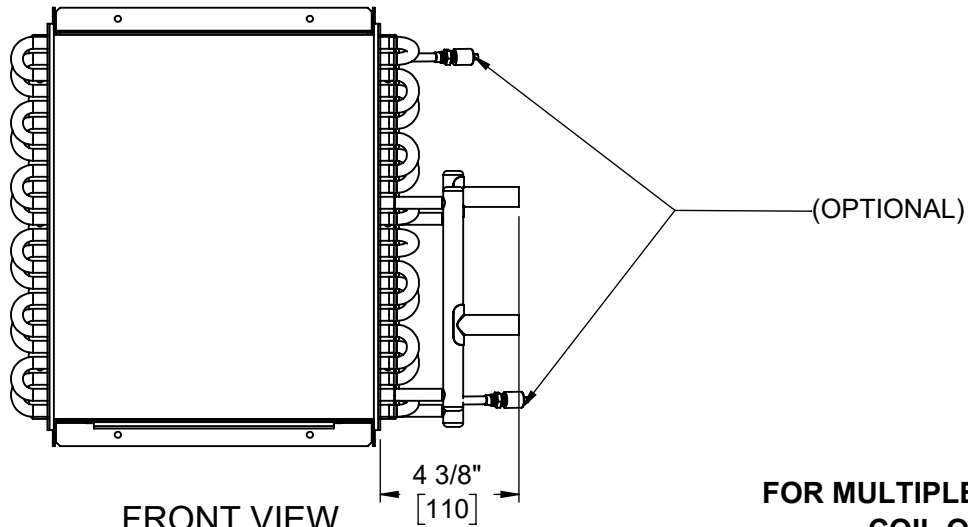


SIDE VIEW
LEFT HAND SHOWN
RIGHT HAND OPPOSITE



FRONT VIEW
LEFT HAND SHOWN
RIGHT HAND OPPOSITE

**FOR MULTIPLE CIRCUITS
COIL ONLY**

Unit Size	Coil Rows	(3/8" ϕ Coil)		
		A	B	C
7/10	1	5-7/8" [150]	3-1/8" [78]	1" [25]
	2	5-7/8" [150]	3-1/4" [82]	7/8" [22]
	3	5-7/8" [150]	3-1/4" [82]	1 3/4" [44]
	4	5-7/8" [150]	4-1/8" [104]	2-5/8" [66]
12/15/20/25	1	7-1/4" [185]	3-1/8" [78]	1" [25]
	2	7-1/4" [185]	3-1/4" [82]	7/8" [22]
	3	7-1/4" [185]	3-1/4" [82]	1 3/4" [44]
	4	7-1/4" [185]	4-1/8" [104]	2-5/8" [66]

NOTES:

- All dimensions are in inches [millimeters]
- All dimensions may vary in $\pm 1/2$ [13mm].
Metric values are soft conversion.
- All drawings are subject to change without notice.
- Connection Size: 5/8 ODM (1/2" NOM.)
- This sheet applies to multiple circuits only.
For single circuit coils refer sheet no 2.



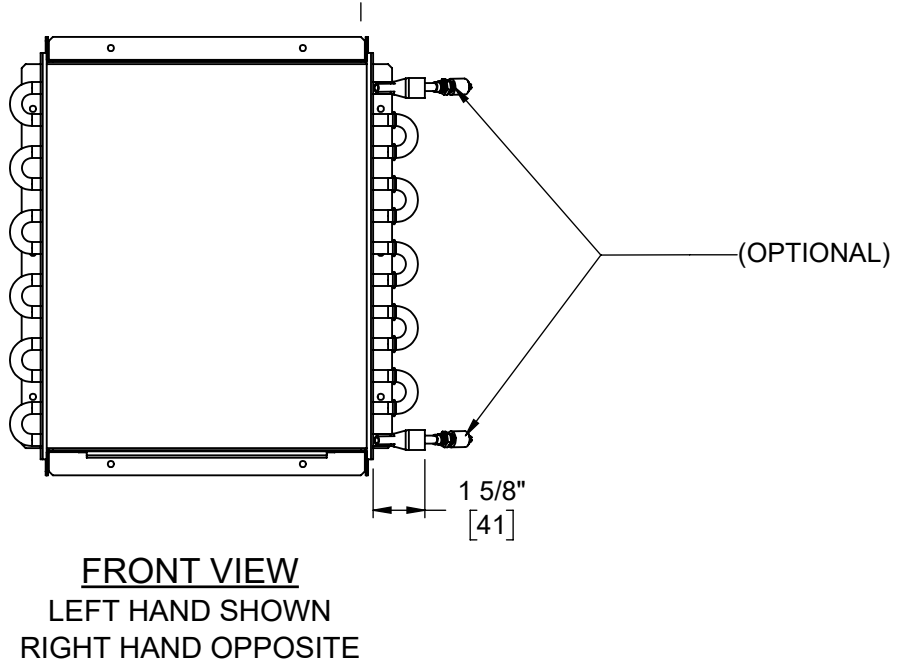
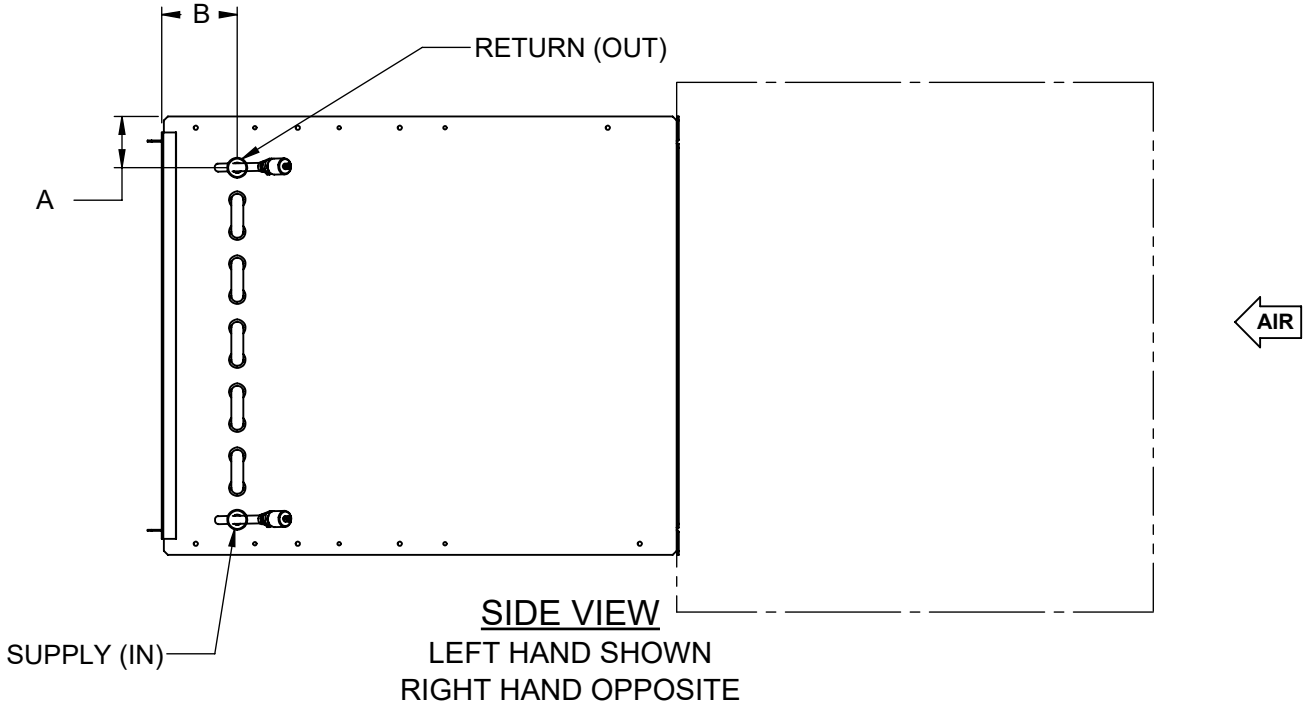
THIS DRAWING CONTAINS PROPRIETARY DATA. UNAUTHORIZED DISCLOSURE, REPRODUCTION, OR USE IS STRICTLY PROHIBITED WITHOUT WRITTEN PERMISSION.

SUBMITTAL DRAWING
ALL DRAWINGS ARE SUBJECT TO CHANGE WITHOUT PRIOR NOTICE

DO NOT SCALE DRAWING
DIMENSIONS ARE IN INCH (MM) FORMAT
+/- 1/8 (3) UNLESS OTHERWISE NOTED

TITLE: **MODEL CRB & CRQ,
HOT WATER, 3/8" DIA COIL CONNECTIONS**

DATE 07/10/20	SHEET PAGE 1 OF 2	DRAWING NO 10-80048	REV A
------------------	----------------------	------------------------	----------



- NOTES:**
1. All dimensions are in inches [millimeters]
 2. All dimensions may vary in $\pm 1/2$ [13mm].
Metric values are soft conversion.
 3. All drawings are subject to change without notice.
 4. Connection Size: 5/8 ODM (1/2" NOM.)
 5. This sheet applies to single circuit coils only.
For multiple circuit coils refer sheet no 1.

SINGLE CIRCUIT COILS ONLY

Unit Size	Coil Rows	No. of Circuits	(3/8" ϕ Coil)	
			A	B
7	1	1	1-3/4" [46]	2-3/8" [60]



THIS DRAWING CONTAINS PROPRIETARY DATA. UNAUTHORIZED DISCLOSURE, REPRODUCTION, OR USE IS STRICTLY PROHIBITED WITHOUT WRITTEN PERMISSION.

SUBMITTAL DRAWING
ALL DRAWINGS ARE SUBJECT TO CHANGE WITHOUT PRIOR NOTICE

DO NOT SCALE DRAWING
DIMENSIONS ARE IN INCH (MM) FORMAT
+/- 1/8 [3] UNLESS OTHERWISE NOTED

TITLE: **MODEL CRB & CRQ, HOT WATER, 3/8" DIA COIL CONNECTIONS**

DATE	SHEET	DRAWING NO	REV
07/10/20	PAGE 2 OF 2	10-80048	A