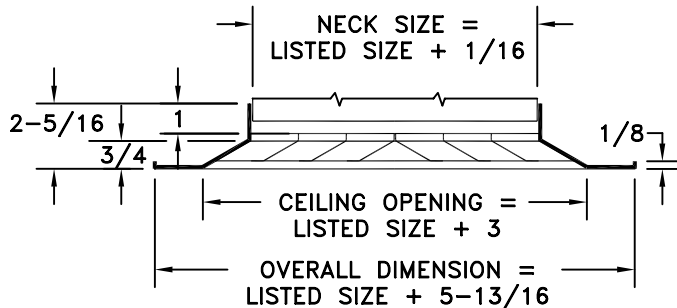
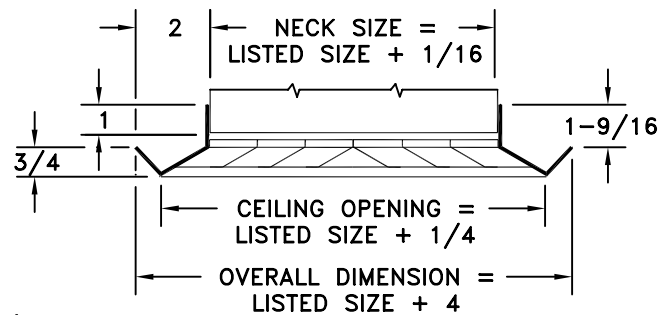


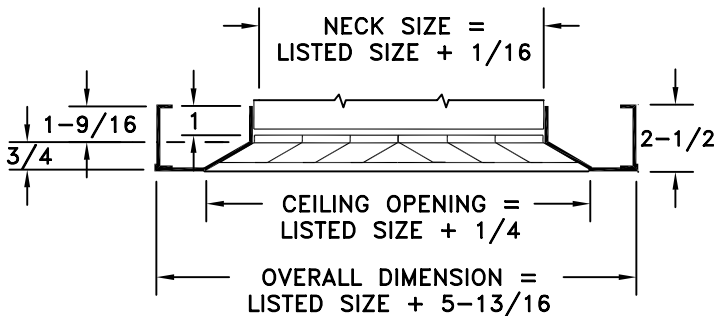
- AIR DIFFUSION VANES AT COUNTER FLOW ANGLES CREATE TURBULENT DISCHARGE AIR JETS FOR HIGH INDUCTION AND RAPID TEMPERATURE EQUALIZATION.
- REMOVABLE CORES AVAILABLE IN 4, 3, 2 OR 1-WAY DIFFUSION PATTERNS, SEE SD-1520.1 FOR PATTERNS
- ALL STEEL CONSTRUCTION MADE EXTRA RIGID DUE TO THE UNIQUE VANE AND LOUVER DESIGN
- MIN. LISTED SIZE: 6 x 3,  
MAX LISTED SIZE: 36 x 36 SQUARE OR 48 x 24 RECTANGULAR
- OPTIONAL ALUMINUM CONSTRUCTION AVAILABLE ON DIFFUSER ONLY
- OPTIONAL STEEL OPPOSED BLADE DAMPER AVAILABLE (MILL FINISH)
- STANDARD FINISH IS WHITE (WH)
- DAMPER INSTALLATION METHOD:  
OPPOSED BLADE DAMPERS ARE ORDERED SEPARATELY AND SHIPPED LOOSE FOR INSTALLATION INSIDE THE DUCT DROP THEREBY ALLOWING AN THE INTERNAL DUCT CONNECTION TO THE DIFFUSER. THE OPPOSED BLADE DAMPER IS FACTORY INSTALLED WHEN DAMPER AND SQUARE TO ROUND TRANSITION OPTIONS ARE SPECIFIED. THE TRANSITION IS FACTORY WELDED TO THE DIFFUSER FOR A PERMANENT CONNECTION.
- SEE SD-1506.1 FOR ADDITIONAL MARGIN STYLES



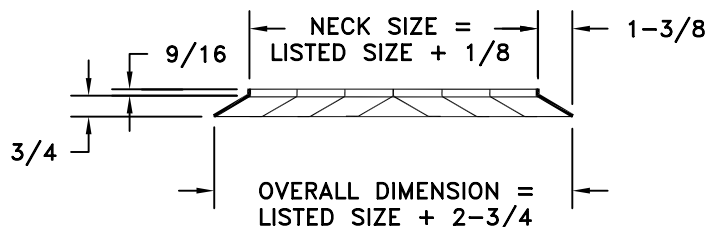
(A)RC  
SF - SURFACE MOUNT FLAT MARGIN



(A)RCB  
SB - SURFACE MOUNT BEVELED MARGIN



(A)RC  
D2 - 2-1/2 DROP FRAME



(A)RCV  
ONE PIECE CORE (NO FRAME)

JOB NAME: _____	SUBMITTED BY: _____	DATE: 11/30/04	SD-1505.1
LOCATION: _____		<b>(A)RC AGITAIR®</b> Steel, Aluminum Vaned Louver Diffuser Surface Mounting	
ARCHITECT: _____			
ENGINEER: _____			
CONTRACTOR: _____			