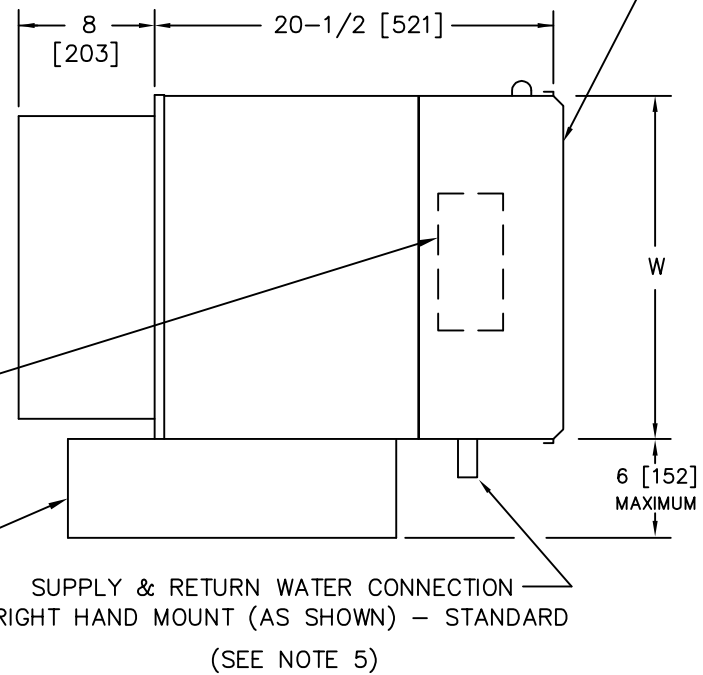


DIMENSIONAL DATA

UNIT SIZE	W	A	B
19	30 [762]	28-1/4 [718]	13-7/8 [352]
22	34 [864]	32-1/4 [819]	15-7/8 [403]

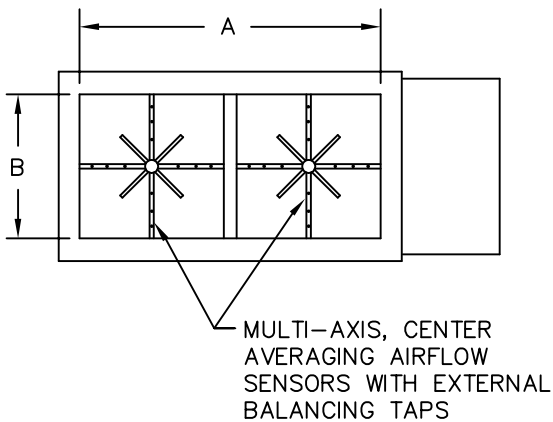
OUTLET: SLIP & DRIVE STANDARD
(SEE NOTE 6)



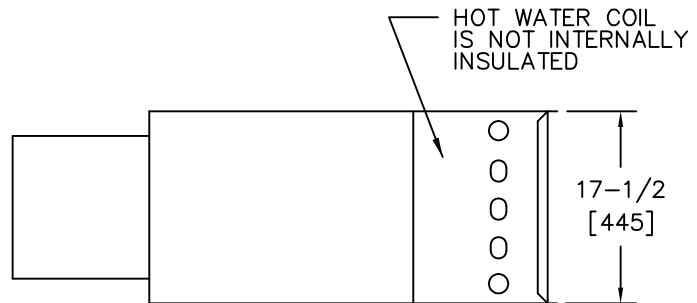
4" x 8" [102 x 204] BOTTOM HOT WATER
COIL ACCESS PANEL
(GASKETED & SECURED W/SHEET METAL SCREWS)

ELECTRONIC CONTROL ENCLOSURE
SEE NOTE 2

SUPPLY & RETURN WATER CONNECTION
RIGHT HAND MOUNT (AS SHOWN) - STANDARD
(SEE NOTE 5)



MULTI-AXIS, CENTER
AVERAGING AIRFLOW
SENSORS WITH EXTERNAL
BALANCING TAPS



(CONTROL ENCLOSURE NOT SHOWN THIS VIEW)

CONSTRUCTION NOTES:

- All dimensions are in inches [millimeters]. All dimensions are +/- 1/4" [6]. Metric dimensions are soft conversions.
- Provide sufficient clearance to permit access to controls and comply with applicable codes and ordinances.
- MATERIAL: Galvanized steel; Casing -22 gauge; Air valve casing -22 gauge.
- INSULATION: 1/2" [13] thick fiberglass laminated with scrim-stitched reinforced foil liner complying with NFPA 90-A and UL-181.
- HOT WATER COIL: Copper tubing with aluminum fins, 10 fins per in. [4 fins per cm]. Supply and Return water connections: 1 Row coil: 1/2 [13] O.D., 2 Row coil: 5/8 [16] O.D., 3 & 4 Row coil: 7/8 [22] O.D. Coil to be externally insulated by others if required.
- INSTALLATION: A) If internal insulation is utilized in the downstream ductwork, the insulation must be secured in such a manner that no raw insulation edges are exposed to the airstream. B) Inlet collar & hot water coil should be externally insulated by others (in the field) if required.

TITLE:

MODEL SDR-WC-AD
ELECTRONIC CONTROLS
SIZES 19 & 22



DRN BY: LARRY	DATE: 12/9/94	SCALE: NONE	DRAWING NO.
CKD BY: Chris H	DATE: 5/23/06	REV: 02	17165

THIS DRAWING CONTAINS PROPRIETARY DATA.
UNAUTHORIZED DISCLOSURE, REPRODUCTION, OR USE
IS STRICTLY PROHIBITED WITHOUT WRITTEN PERMISSION

DO NOT SCALE DRAWING
DIMENSIONS AND DATA ARE SUBJECT TO CHANGE WITHOUT NOTICE.
CONTACT FACTORY FOR CERTIFIED DRAWINGS.