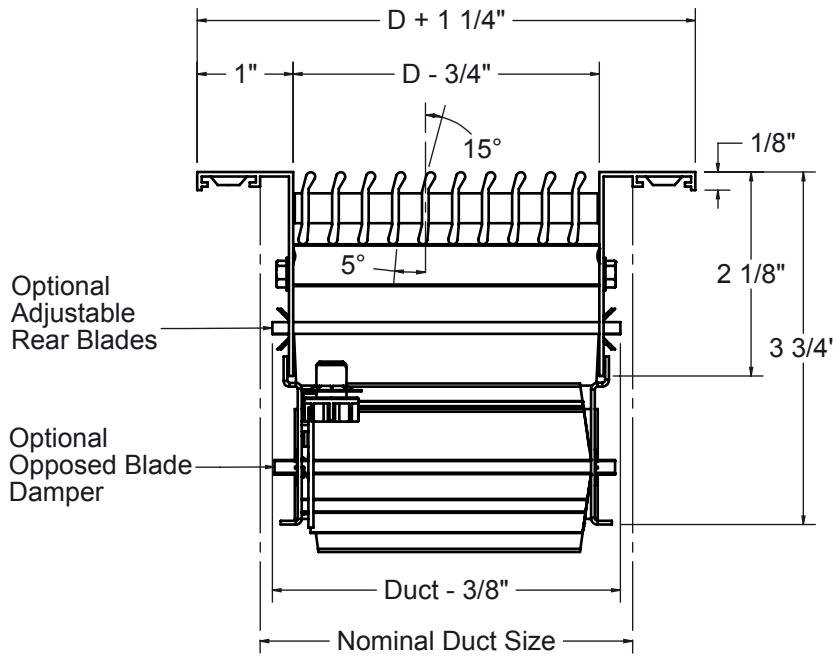


- Constructed of extruded aluminum
- Invisible mounting - no screw holes on face (external screw fastening optional)
- Reversible core held by snap fasteners, invisible from face
- Four vertical air patterns available by reversing core, no affect on outlet velocity or static pressure - no rebalance necessary
- Options include an opposed blade damper, steel or aluminum, and individually adjustable rear vanes for horizontal air pattern deflection
- Minimum size is 6"x4" for Horizontal Blades and 6"x6" for Vertical Blades
- Maximum size is 72"x24" for a single core or up to 72"x36" with multi-core construction
- Different sizes available between minimum and maximum in 1" increments



Options:

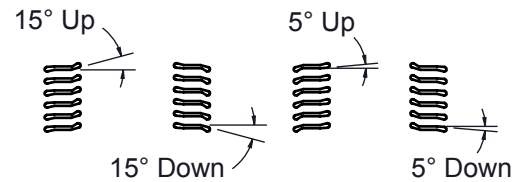
- Horizontal Blades
- Vertical Blades

Accessories:

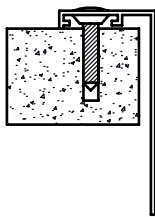
- Damper - AOBD
- Damper - SOBD
- Adjustable Rear Blades
- External Screw Fastening

Finishes:

- White (WH)
- Aluminum Paint (AP)
- Off-White (OW)
- Flat Black (FB)
- Match Paint (MP)



Core Positioning



External Screw Fastening



Core Only

Dimensions in inches

Job: _____	Tag: _____	AVF Versaflex Grilles and Registers Single and Double Deflection
Location: _____	Submitted By: _____	
Architect: _____		
Engineer: _____		
Contractor: _____	SD - 2196	Rev: A (06/14)

These drawings do not detail every aspect of the product. This submittal demonstrates general product dimensions; drawings are not to scale. Tuttle & Bailey reserves the right to make changes without notice. Copyright © 2014 Tuttle & Bailey www.tuttleandbailey.com