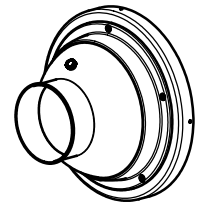
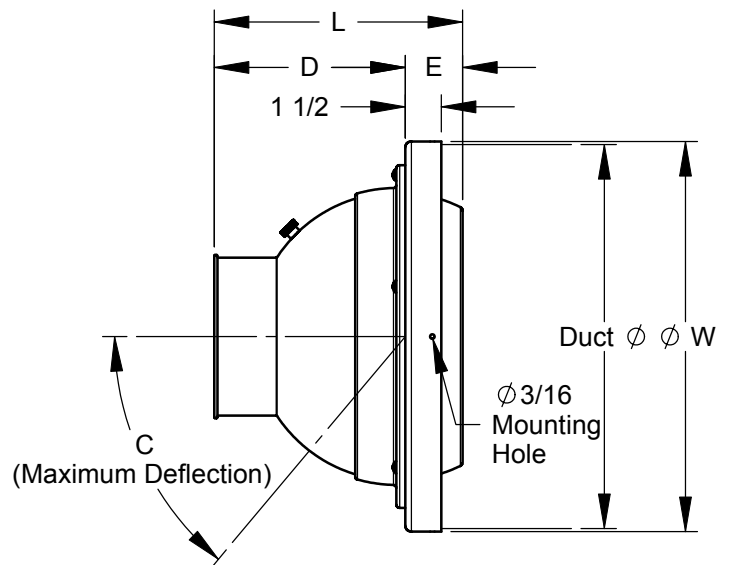
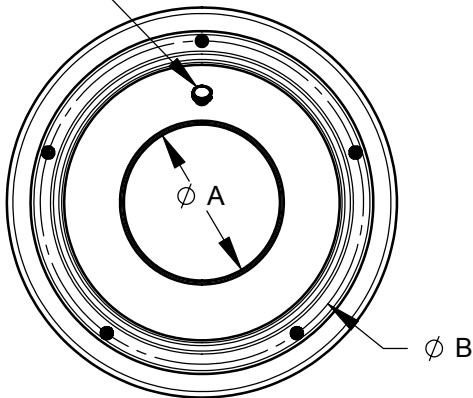


- Solid aluminum construction (spun)
- Mounts over end of spiral duct
- Felt gasket seal between nozzle and frame
- Closed cell (or felt) installation gasket between frame and wall
- Standard clear anodized finish
- Optional Sliding Plate Damper (shown)



Damper Adjustment  
(Optional)



Size	Duct Ø	W	L	A	B	C	D	E
6	8	8 1/4	5 3/16	2 15/16	6 13/16	42°	3 11/16	1 1/2
7	10	10 1/4	5 7/8	3 9/16	8 3/8	42°	4 3/8	1 1/2
8	11	11 1/4	6 7/16	3 15/16	9 1/8	42°	4 3/4	1 3/4
10	14	14 1/4	8 13/16	5 1/2	12	40°	6 7/8	2
12	16	16 1/4	10 3/8	6 1/2	13 1/2	38°	7 7/8	2 1/2
16	20	20 1/4	13 3/8	9 1/16	17 3/4	40°	9 3/4	3 5/8
18	24	24 1/4	15 3/8	10 1/4	20 1/8	38°	11 5/8	3 3/4
20	24	24 1/4	15 3/8	12 1/4	20 1/8	34°	11 5/8	3 3/4

### Options

Sliding Plate Damper

Dimensions in inches

Job: _____	Tag: _____	<b>DJ</b> <b>Spot Diffuser</b> <b>Duct Mount (DM)</b>
Location: _____	Submitted By: _____	
Architect: _____	SD-2024      Rev: A (06/07)	
Engineer: _____		
Contractor: _____		