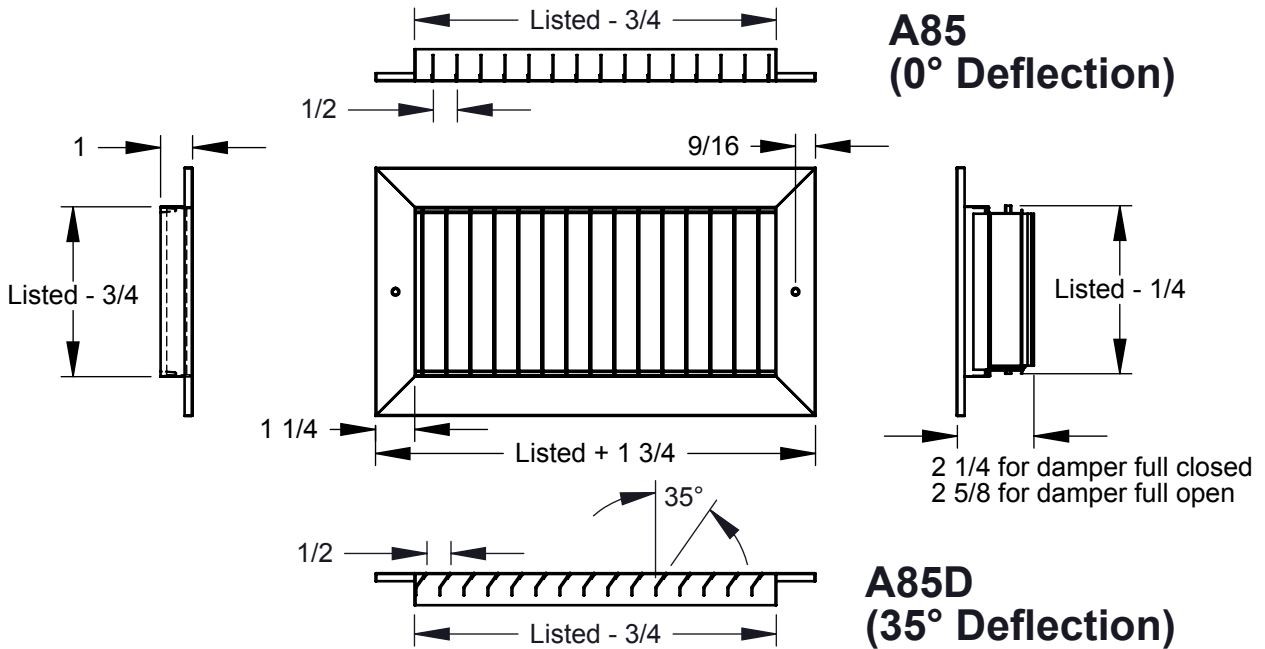
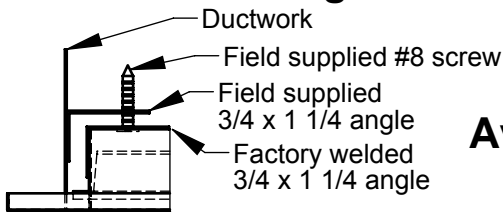


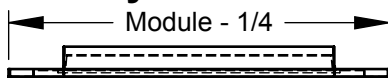
- Fixed (non-adjustable) aluminum blades
- Available in 0° deflection (A85) or 35° deflection (A85D)
- Aluminum construction
- Standard grille finish is white (WH)
- Damper option is mill finish only
- Available sizes are 6x4 to 48x48 in 1" increments (larger sizes in sections)



### Concealed Mounting



### LT Frame Style



Module	* Max Neck
12x12	9x9
24x12	21x9
24x24	21x21
48x24	45x21

### Available Fastening Methods

- 01 - Screw Holes
- 02 - No Screw Holes
- 03 - Concealed (not available with AOBD)

### Available Colors

- White (WH) Mill (ML) Aluminum Paint (AP)
- Off-White (OW) Flat Black (FB)
- Match Paint (MP)

### Accessories

- AOBD - Aluminum opposed blade damper
- A45 - Aluminum mounting frame

\* - When using a module for Lay-In T-Bar ceiling, this is the maximum neck size for specified module

Dimensions in inches

Job: _____ Location: _____ Architect: _____ Engineer: _____ Contractor: _____	Tag: _____ Submitted By: _____ SD - 2066      Rev: A (10/09)	<h2>A85 &amp; A85D</h2> <h3>Return Grille</h3> <h3>Aluminum Construction</h3>
---	--	---