

NOTES:

1. All dimensions are inches [millimeters]
All dimensions ±1/2 [13mm].
Metric values are soft conversion.
2. All drawings subject to change without notice.
3. Model "HPP" unit shown, typical for model "HPF" units.
Connections shown are internal on "HPE" units.
4. Connection Size: See 82-80053 Coil Connections.
5. Standard externally foam coated galvanize steel drain pan has 7/8" ODM copper outlet.
Stainless steel drain pan has 3/4" MPT galvanize steel outlet.
6. Aux. drain outlet is 5/8" ODM copper or 3/8" MPT galvanized steel respectively.
7. Liquid Inlet arrangement may vary

UNCONTROLLED WHEN PRINTED

Unit Type	DX Coil Rows	A (1/2" Ø Coil)
2 Pipe Cooling	3	2-1/8" [55]
	4	3-1/4" [82]
	6	5-3/8" [137]



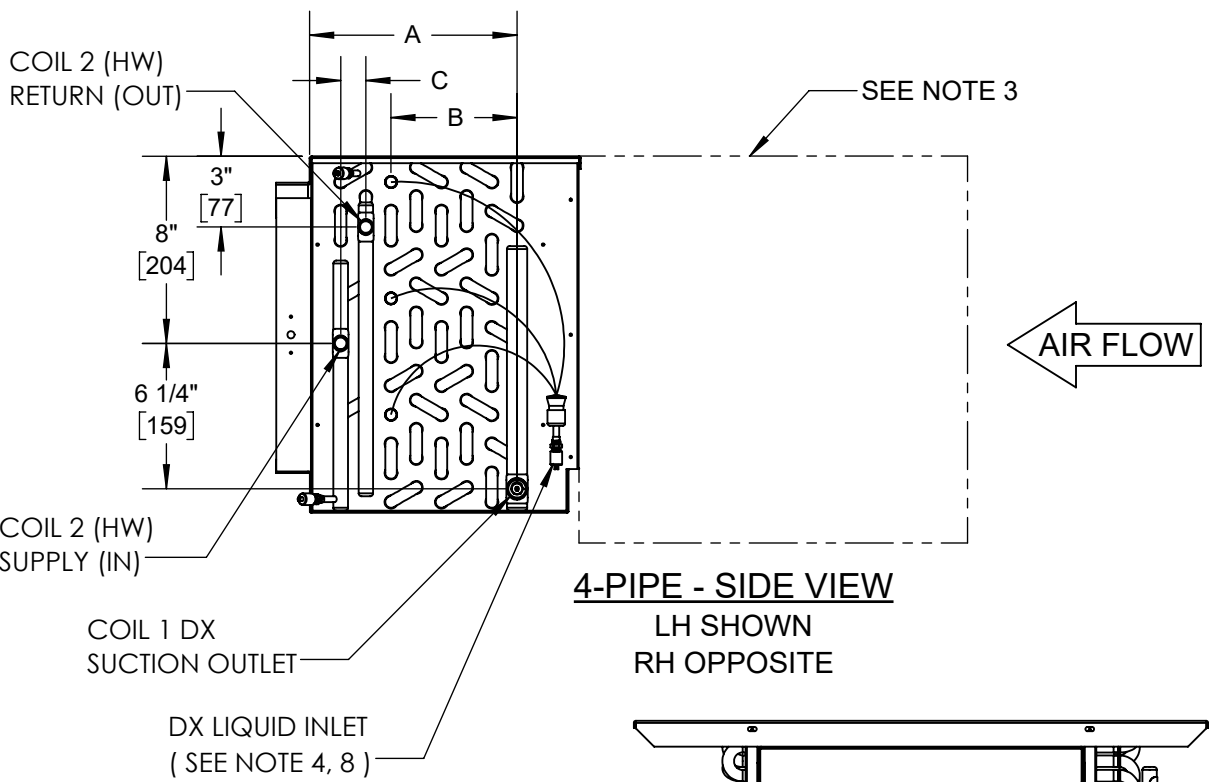
THIS DRAWING CONTAINS PROPRIETARY DATA. UNAUTHORIZED DISCLOSURE, REPRODUCTION, OR USE IS STRICTLY PROHIBITED WITHOUT WRITTEN PERMISSION.

SUBMITTAL DRAWING
ALL DRAWINGS ARE SUBJECT TO CHANGE WITHOUT PRIOR NOTICE

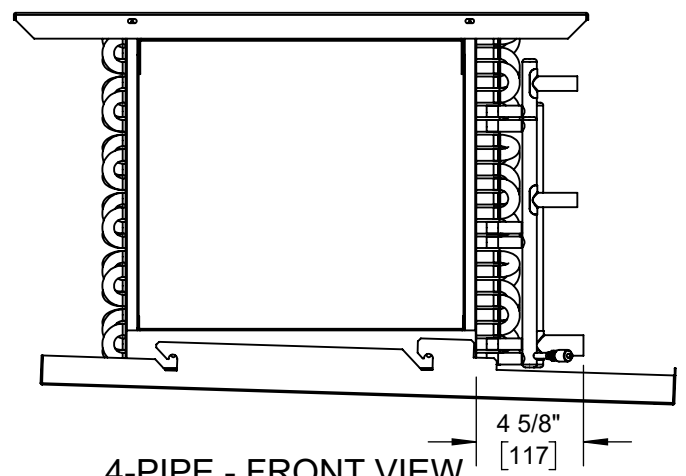
DO NOT SCALE DRAWING
DIMENSIONS ARE IN INCH (MM) FORMAT
+/- 1/8 [3] UNLESS OTHERWISE NOTED

TITLE: **FIELD CONNECTIONS HPP/HPF
DX COIL CONNECTION LOCATIONS**

DATE	SHEET	DRAWING NO	REV
03/14/22	1 OF 3	82-80059	A



4-PIPE - SIDE VIEW
LH SHOWN
RH OPPOSITE



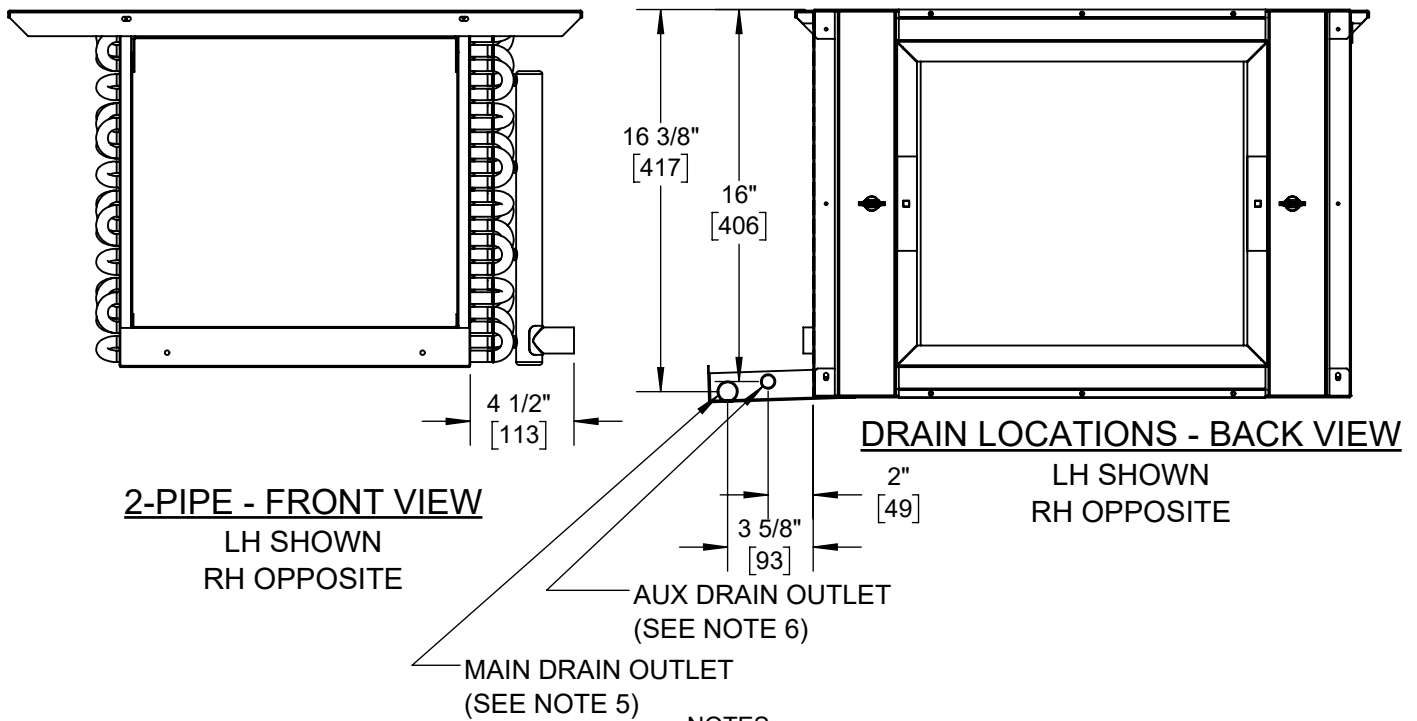
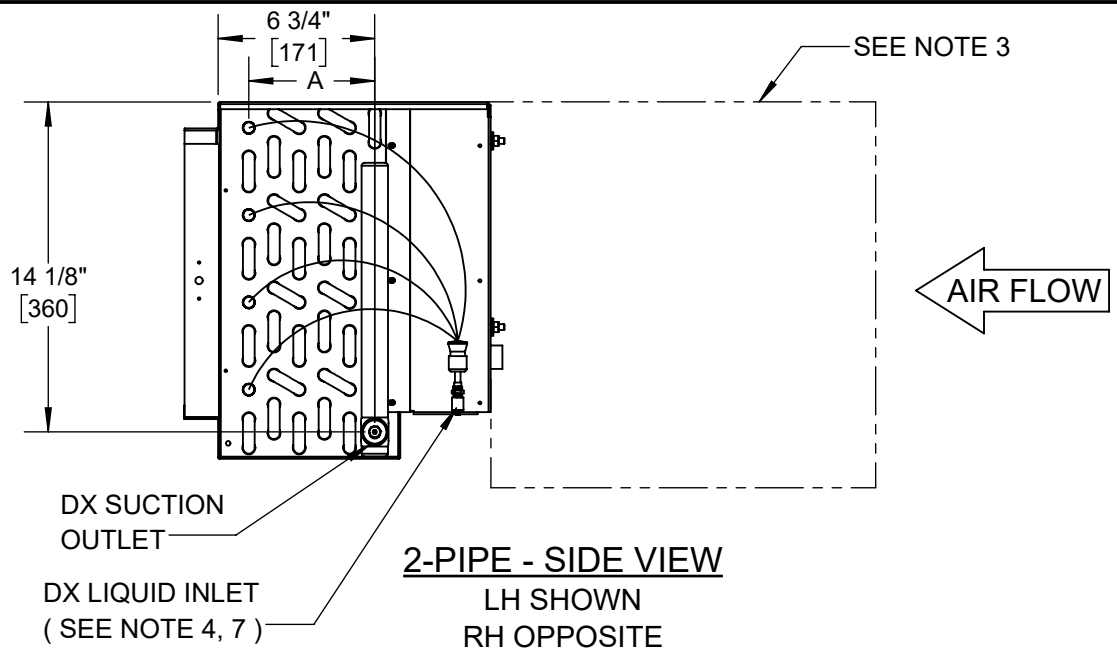
4-PIPE - FRONT VIEW
LH SHOWN
RH OPPOSITE

Unit Type: 4 Pipe Re-Heat				
Coil 1 DX Rows	Coil 2 HW Rows	1/2" Coil ϕ		
		A	B	C
3	1	6-3/4" [171]	2-1/8" [52]	7/8" [22] \triangle 7
3	2	6-3/4" [171]	2-1/8" [52]	1-1/8" [29]
3	3	6-3/4" [171]	2-1/8" [52]	2-1/8" [54]
4	1	6-3/4" [171]	3-1/4" [83]	1" [25.5] \triangle 7
4	2	6-3/4" [171]	3-1/4" [83]	1" [25.5]
3	4	8-7/8" [225]	2-1/8" [52]	3-1/4" [83]
4	3	8-7/8" [225]	3-1/4" [83]	2-1/4" [54]
4	4	8-7/8" [225]	3-1/4" [83]	3-1/4" [83]
6	1	8-7/8" [225]	5-1/2" [140]	7/8" [22] \triangle 7
6	2	8-7/8" [225]	5-1/2" [140]	1-1/8" [27]

- NOTES:**
- All dimensions are inches [millimeters]
All dimensions $\pm 1/2$ [13mm].
Metric values are soft conversion.
 - All drawings subject to change without notice.
 - Model "HPP" unit shown, typical for model "HPF" units.
Connections shown are internal on "HPE" units.
 - Connection Size: See 82-80053 Coil Connections.
 - Standard externally foam coated galvanize steel drain pan has 7/8" ODM copper outlet.
Stainless steel drain pan has 3/4" MPT galvanize steel outlet.
 - Aux. drain outlet is 5/8" ODM copper or 3/8" MPT galvanized steel respectively.
 - Single Row/Single Circuit headers are vertical
(Horizontal Distance is 0")
 - Liquid Inlet arrangement may vary

UNCONTROLLED WHEN PRINTED

<p>THIS DRAWING CONTAINS PROPRIETARY DATA. UNAUTHORIZED DISCLOSURE, REPRODUCTION, OR USE IS STRICTLY PROHIBITED WITHOUT WRITTEN PERMISSION.</p>	<p>SUBMITTAL DRAWING ALL DRAWINGS ARE SUBJECT TO CHANGE WITHOUT PRIOR NOTICE</p>	<p>TITLE: FIELD CONNECTIONS HPP/HPF DX-HW COIL CONNECTION LOCATIONS</p>		
	<p>DO NOT SCALE DRAWING DIMENSIONS ARE IN INCH (MM) FORMAT +/- 1/8 (3) UNLESS OTHERWISE NOTED</p>	<p>DATE 03/14/22</p>	<p>SHEET 2 OF 3</p>	<p>DRAWING NO 82-80059</p>



NOTES:

- All dimensions are inches [millimeters]
All dimensions $\pm 1/2$ [13mm].
Metric values are soft conversion.
- All drawings subject to change without notice.
- Model "HPP" unit shown, typical for model "HPF" units.
Connections shown are internal on "HPE" units.
- Connection Size: See 82-80053 Coil Connections.
- Standard externally foam coated galvanize steel drain pan has 7/8" ODM copper outlet.
Stainless steel drain pan has 3/4" MPT galvanize steel outlet.
- Aux. drain outlet is 5/8" ODM copper or 3/8" MPT galvanized steel respectively.
- Liquid Inlet arrangement may vary

UNCONTROLLED WHEN PRINTED

Unit Type	DX Coil Rows	A (1/2" ϕ Coil)
2 Pipe Cooling	3	2-1/8" [55]
	4	3-1/4" [82]
	6	5-3/8" [137]



THIS DRAWING CONTAINS PROPRIETARY DATA. UNAUTHORIZED DISCLOSURE, REPRODUCTION, OR USE IS STRICTLY PROHIBITED WITHOUT WRITTEN PERMISSION.

SUBMITTAL DRAWING
ALL DRAWINGS ARE SUBJECT TO CHANGE WITHOUT PRIOR NOTICE

TITLE: **FIELD CONNECTIONS HPP/HPF
EH-DX COIL CONNECTION LOCATIONS**

DO NOT SCALE DRAWING
DIMENSIONS ARE IN INCH (MM) FORMAT
+/- 1/8 (3) UNLESS OTHERWISE NOTED

DATE	SHEET	DRAWING NO	REV
03/14/22	3 OF 3	82-80059	A