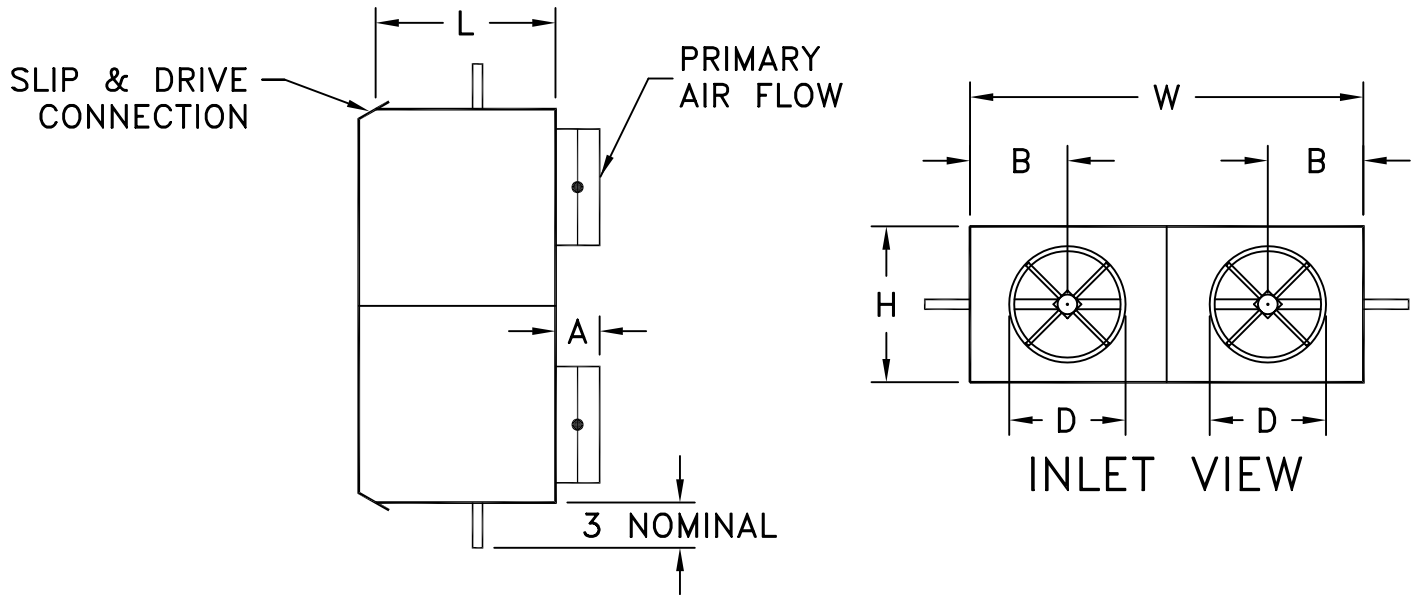


NOTES

• FOR STANDARD AND OPTIONAL ACCESSORIES SEE PAGE 2



SIZE	CFM RANGE 0 or MIN - MAX	L	H	W	A	B	D
4	0 or 50 - 230	15 - 1/2	8	24 - 1/8	5 - 3/8	6	3 - 7/8
5	0 or 75 - 360	15 - 1/2	8	24 - 1/8	5 - 3/8	6	4 - 7/8
6	0 or 110 - 520	15 - 1/2	8	24 - 1/8	3 - 3/8	6	5 - 7/8
7	0 or 140 - 710	15 - 1/2	10	24 - 1/8	3 - 3/8	6	6 - 7/8
8	0 or 185 - 925	15 - 1/2	10	24 - 1/8	3 - 3/8	6	7 - 7/8
10	0 or 290 - 1450	15 - 1/2	12 - 1/2	28 - 1/8	3 - 3/8	7	9 - 7/8
12	0 or 420 - 2100	15 - 1/2	15	32 - 1/8	3 - 3/8	8	11 - 7/8
14	0 or 580 - 2900	15 - 1/2	17 - 1/2	40 - 1/8	3 - 3/8	10	13 - 7/8
16	0 or 740 - 3700	15 - 1/2	18	48 - 1/8	3 - 3/8	12	15 - 7/8

JOB NAME: _____ LOCATION: _____ ARCHITECT: _____ ENGINEER: _____ CONTRACTOR: _____	SUBMITTED BY: _____	REV LEVEL: A	DATE: 2/02	DWG NO: SD-7200
		DSV DUAL DUCT TERMINAL UNIT		

TERMINAL UNIT - STANDARD ACCESSORIES

- 22 GAUGE GALVANIZED STEEL CASING
- THERMALLY AND ACOUSTICALLY INSULATED CASING, 1/2" DUAL DENSITY FIBERGLASS LINING, COMPLIES WITH NFPA 90A AND UL 181. ALL EXPOSED INSULATION EDGES ARE SEALED
- INLETS COMPATIBLE WITH NOMINAL RIGID AND FLEX DUCT CONNECTIONS
- SLIP AND DRIVE DISCHARGE CONNECTIONS
- PATENTED FLO-CROSS® MULTI-POINT, CENTER AVERAGING FLOW SENSORS
- DAMPER SHAFTS WITH DELRIN BEARINGS AND POSITION INDICATOR
- LOW LEAKAGE DAMPERS WITH SEALS

TERMINAL UNIT - OPTIONAL ACCESSORIES

- 20 GAUGE CONSTRUCTION
- HANGER BRACKETS (FACTORY INSTALLED)
- 1" DUAL DENSITY FIBERGLASS LINING (SEE SD-7206)
- ENVIRO-SEAL™ LINER (SEE SD-7206)
- INSULGUARD™ LINER (SEE SD-7206)
- GALVANIZED SHEET METAL LINER (SEE SD-7206)
- NO LINER
- ACCESS DOOR
- CAM LATCHES (FOR ACCESS DOOR ONLY)
- SEE CONTROL PACKAGE DRAWINGS FOR CONTROL OPTIONS