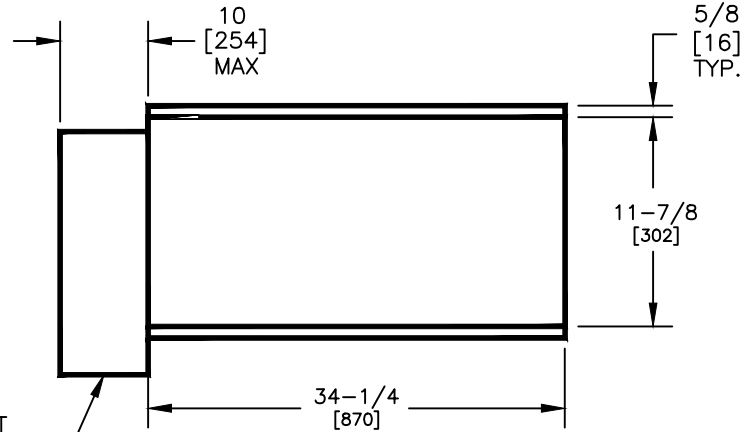
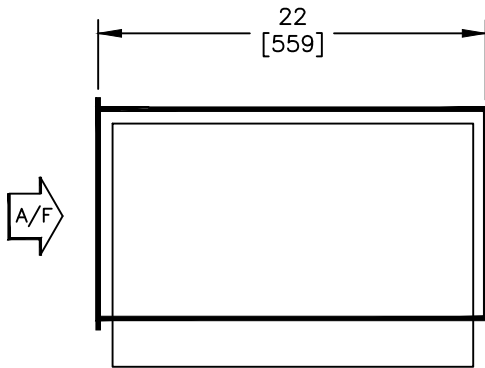


BT
BLOW THRU SINGLE BLOWER
ELECTRIC HEAT
SECTION

ELECTRIC HEAT
 CONTROL ENCLOSURE
 SEE NOTE 3



SIDE VIEWS

ELECTRIC HEAT
 CONTROL ENCLOSURE
 SEE NOTE 3

FRONT VIEWS

BT
BLOW THRU DUAL BLOWER
ELECTRIC HEAT
SECTION

SIZES

NOTES:

- All dimensions are Inches [millimeters]. All dimensions are $\pm 1/4"$ [6mm]. Metric values are soft conversion.
- Motor/drive location may be specified Left or Right Hand. Standard control enclosure location matches motor/drive position.
- Provide sufficient clearance to permit access to controls and comply with applicable codes and ordinances.
- Available for horizontal discharge only.
- For units configured with an uninsulated blow-thru heat section: to prevent sweating, ensure that insulation is field-installed prior to cooling mode operation.

UNIT SIZE	Weight lbs [kg]		G
	SINGLE BLOWER	DUAL BLOWER	
08	45 [20]	—	8-3/4 [222]
12	45 [20]	—	8-3/4 [222]
16	45 [20]	—	10-3/4 [273]
20	45 [20]	—	10-3/4 [273]
30	45 [20]	100 [45]	10-3/4 [273]
40	45 [20]	140 [64]	10-3/4 [273]

TITLE:

MODEL HDD/VDD
 DIRECT DRIVE BLOWER COIL UNIT
 BLOW-THRU ELECTRIC HEAT



DRN BY: WRG	DATE: 8/23/19	SCALE: NTS	DRAWING NO.
CKD BY: CV	DATE: 08/10/18	REV: A	

35-80043

THIS DRAWING CONTAINS PROPRIETARY DATA.
 UNAUTHORIZED DISCLOSURE, REPRODUCTION, OR USE
 IS STRICTLY PROHIBITED WITHOUT WRITTEN PERMISSION

DO NOT SCALE DRAWING
 DIMENSIONS AND DATA ARE SUBJECT TO CHANGE WITHOUT NOTICE.
 CONTACT FACTORY FOR CERTIFIED DRAWINGS.