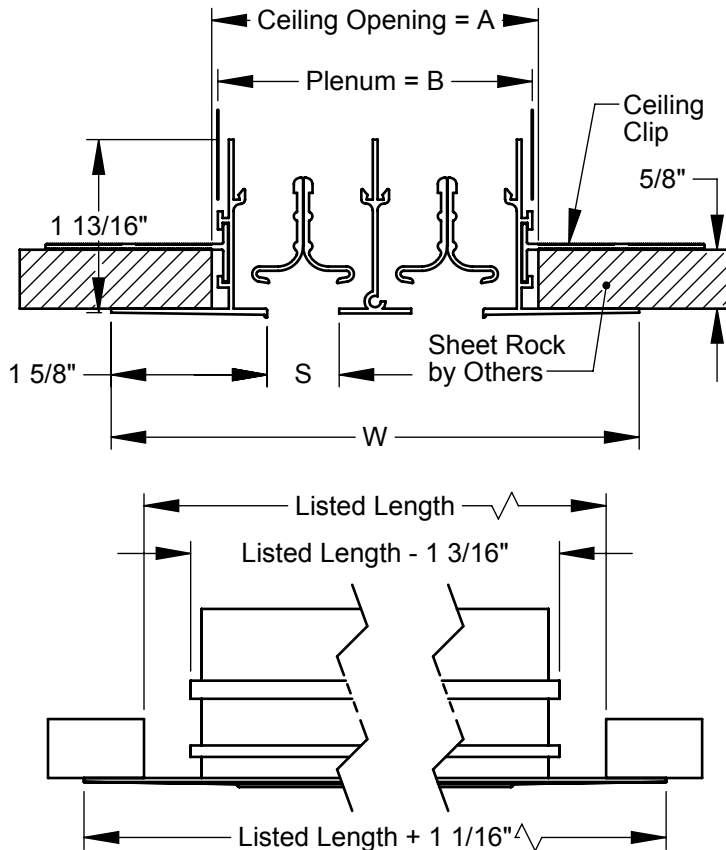


- Extruded aluminum construction
- Available slot widths are 3/4", 1", and 1 1/2"
- Available for 1 thru 8 slots for slot widths 3/4" and 1", 1 thru 4 slots for 1 1/2"
- Maximum single piece length is 72" (longer units will ship as multiple sections)
- Standard finish is painted white margins with black pattern controllers



075 (3/4" slot width)			
# Slots	W	A	B
1	4	1 7/8	1 11/16
2	5 1/2	3 3/8	3 3/16
3	7	4 7/8	4 11/16
4	8 1/2	6 3/8	6 3/16
5	10	7 7/8	7 11/16
6	11 1/2	9 3/8	9 3/16
7	13	10 7/8	10 11/16
8	14 1/2	12 3/8	12 3/16
100 (1" slot width)			
# Slots	W	A	B
1	4 1/4	2 1/8	1 15/16
2	6	3 7/8	3 11/16
3	7 3/4	5 5/8	5 7/16
4	9 1/2	7 3/8	7 3/16
5	11 1/4	9 1/8	8 15/16
6	13	10 7/8	10 11/16
7	14 3/4	12 5/8	12 7/16
8	16 1/2	14 3/8	14 3/16
150 (1 1/2" slot width)			
# Slots	W	A	B
1	4 3/4	2 5/8	2 7/16
2	7	4 7/8	4 11/16
3	9 1/4	7 1/8	6 15/16
4	11 1/2	9 3/8	9 3/16

Options

- Supply (Blades)
- Return (No Blades)

Slot Width

- 075
- 100
- 150

Finish

- White
- Mill
- Clear Anodized
- Aluminum Paint
- Off White
- Flat Black
- Match Paint

Dimensions in inches

Job: _____	Tag: _____	6000 Slot Diffuser "P" Margin Mud-In Margin Style
Location: _____	Submitted By: _____	
Architect: _____		
Engineer: _____		
Contractor: _____	SD - 2264	Rev: B (04/18)