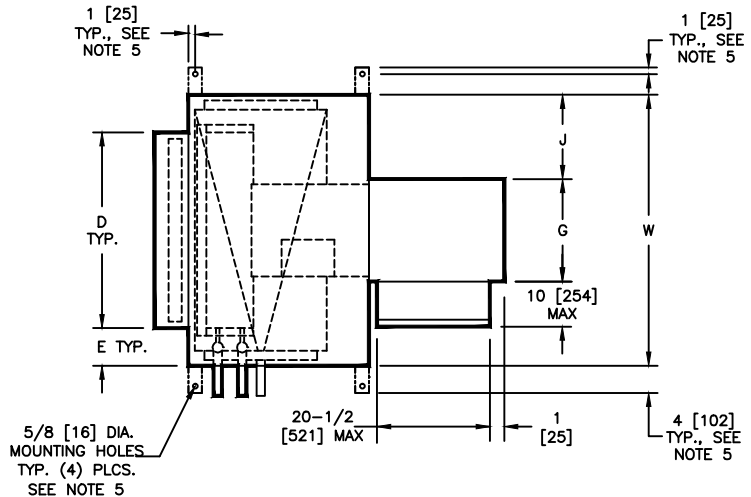
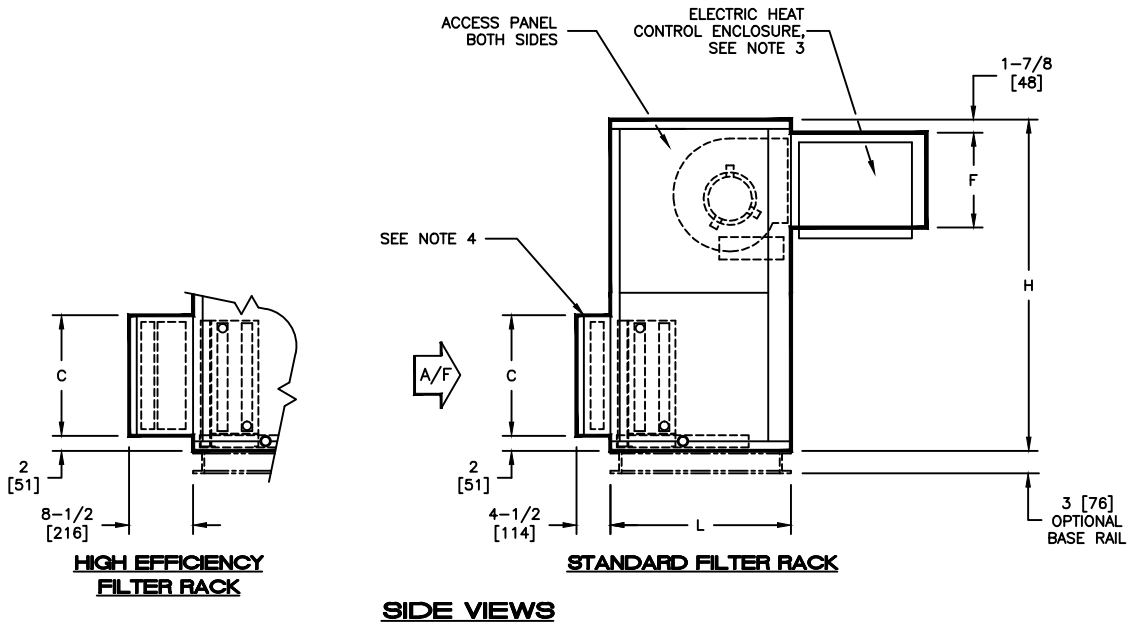


NOTES:

1. All dimensions are Inches [millimeters]. All dimensions are $\pm 1/4"$ [6mm]. Metric values are soft conversion.
2. Right hand unit shown, left hand unit opposite. Motor/drive location may be specified Left or Right Hand. Standard control enclosure location matches motor/drive position.
3. Provide sufficient clearance to permit access to controls and comply with applicable codes and ordinances.
4. See drawing FR-001 for filter rack details.
5. Base rail is optional on the base unit. See drawing BR-001. Base rails must be used with mixing box.
6. See coil connection detail drawings for coil connection sizes and locations.
7. Units with electric heat only (No chilled water, DX, hot water or steam coils) and a drain pan will be supplied with condensate drain outlet the same side as the electric heat control enclosure.



TOP VIEW



DIMENSIONS

SIZE	FAN SIZE	L	W	H	C	D	E	F	G	J
08	9 X 6 [229 X 152]	24 [610]	30 [762]	44 [1118]	16 [406]	20 [508]	5 [127]	11-7/8 [302]	8-3/4 [222]	10-5/8 [270]
12	9 X 6 [229 X 152]	24 [610]	36 [914]	44 [1118]	16 [406]	25 [635]	5-1/2 [140]	11-7/8 [302]	8-3/4 [222]	13-5/8 [346]
16	10 X 8 [254 X 203]	24 [610]	44 [1118]	44 [1118]	16 [406]	39-1/2 [1003]	2-1/4 [57]	11-7/8 [302]	10-3/4 [273]	16-5/8 [422]
20	10 X 8 [254 X 203]	30 [762]	50 [1270]	50 [1270]	16 [406]	44-1/2 [1130]	2-3/4 [70]	11-7/8 [302]	10-3/4 [273]	19-5/8 [498]
30	10 X 8 [254 X 203]	30 [762]	59 [1499]	56 [1422]	25 [635]	51 [1295]	4 [102]	11-7/8 [302]	10-3/4 [273]	24-1/8 [612]
40	10 X 8 [254 X 203]	30 [762]	68 [1727]	59 [1499]	25 [635]	59 [1499]	4-1/2 [114]	11-7/8 [302]	10-3/4 [273]	28-5/8 [727]

TITLE:

MODEL VDD
DIRECT DRIVE BLOWER COIL UNIT
BASIC UNIT - DISCHARGE ARG. 3
W/ BLOW-THRU ELECTRIC HEAT



DRN BY: VSC	DATE: 4/16/18	SCALE: NTS	DRAWING NO.
CKD BY: CV	DATE: 04/18/18	REV: 00	

37-80024

THIS DRAWING CONTAINS PROPRIETARY DATA. UNAUTHORIZED DISCLOSURE, REPRODUCTION, OR USE IS STRICTLY PROHIBITED WITHOUT WRITTEN PERMISSION

DO NOT SCALE DRAWING
DIMENSIONS AND DATA ARE SUBJECT TO CHANGE WITHOUT NOTICE.
CONTACT FACTORY FOR CERTIFIED DRAWINGS.