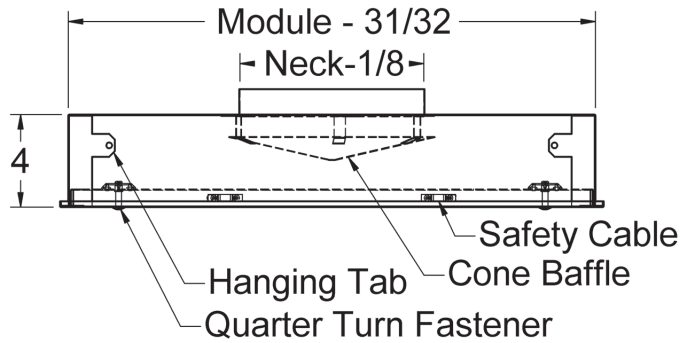




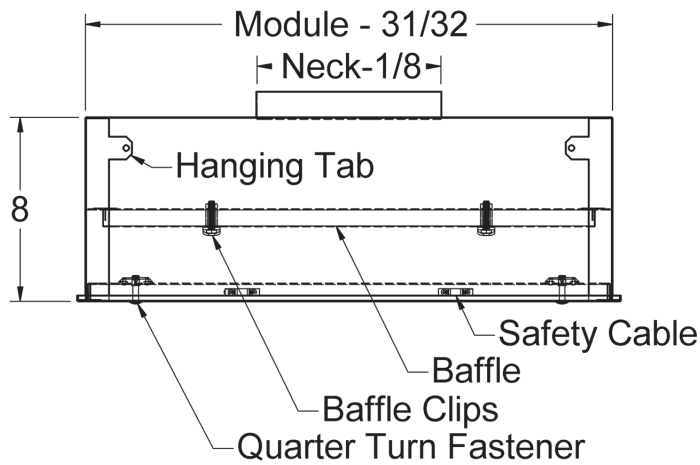
# PRODUCT DIMENSIONS

## TENSOR™

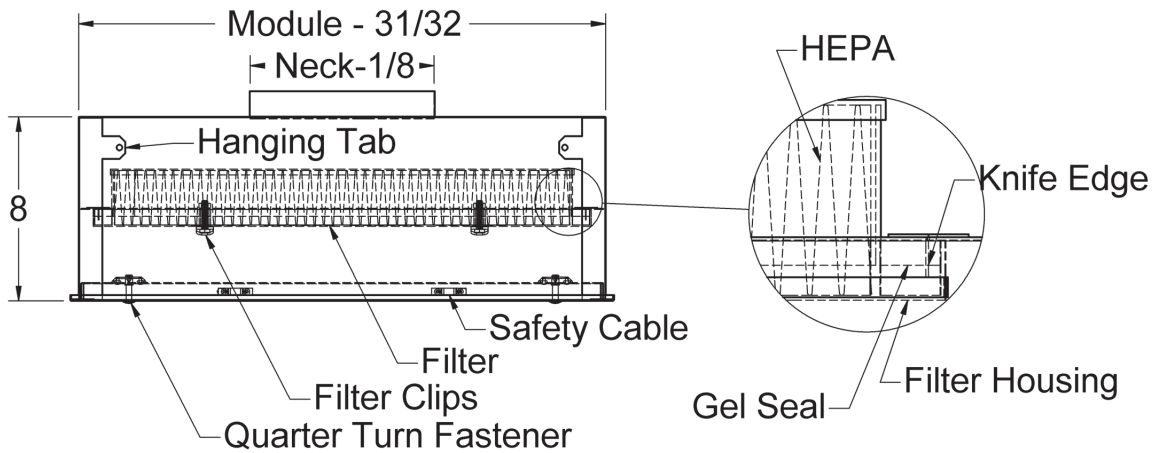
### Standard Model TENSOR™-S



### Subplenum Model TENSOR™-P



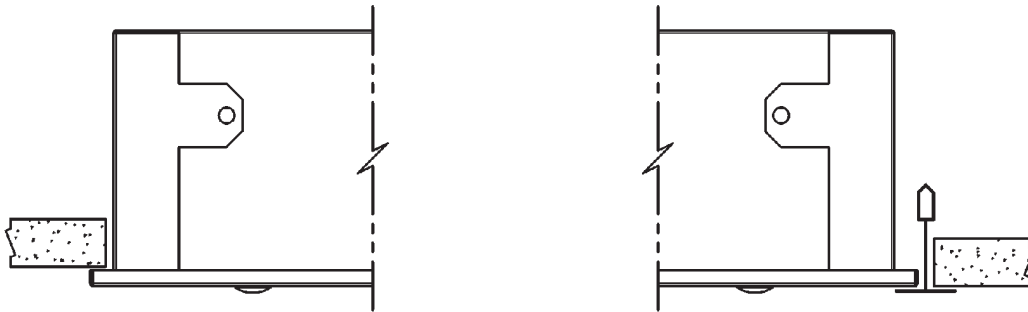
### HEPA Model TENSOR™-H



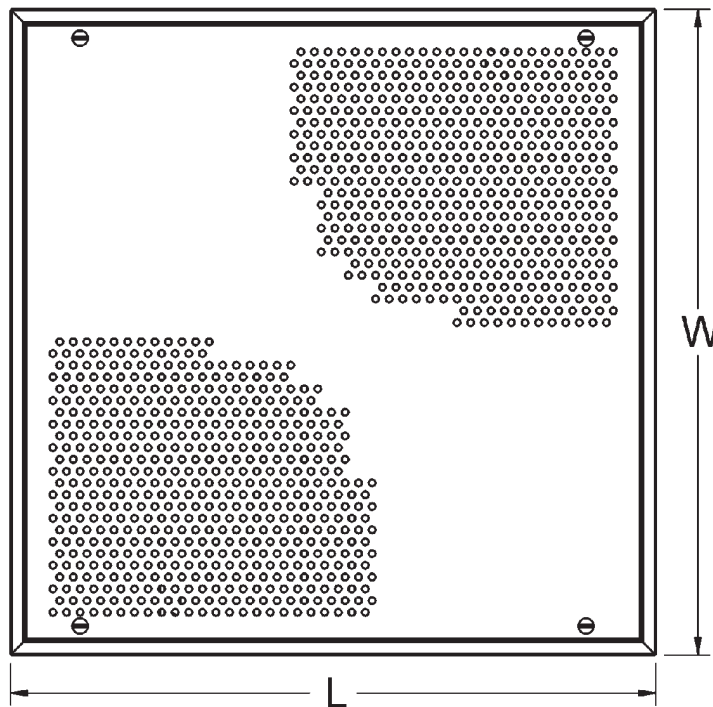
Critical  
Environment

# PRODUCT DIMENSIONS

TENSOR™



Same unit utilized for Surface Mount and Lay-in applications



Module Size	L	W	Neck
24x24	23.75	23.75	8
48x24	47.75	23.75	10