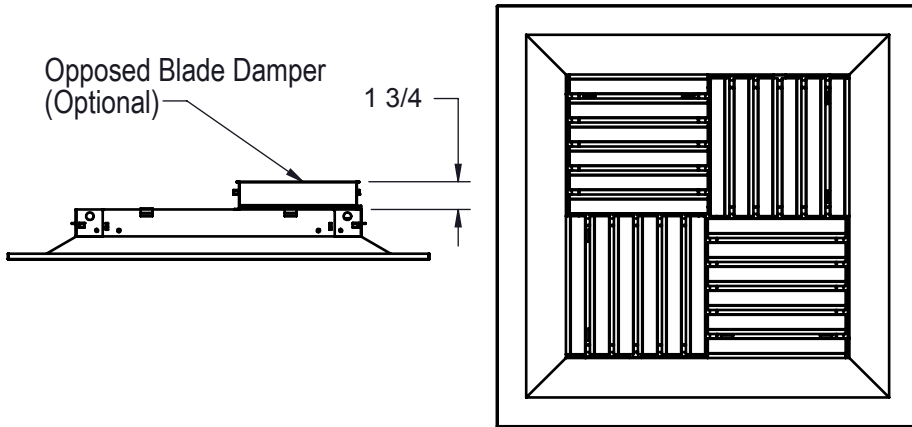
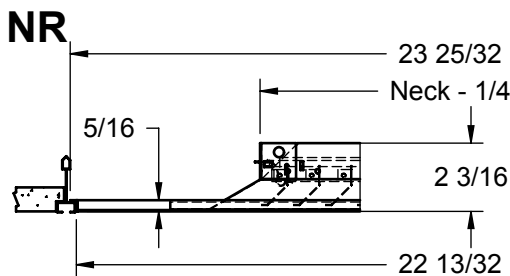
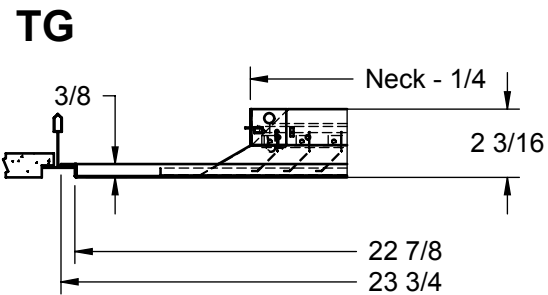
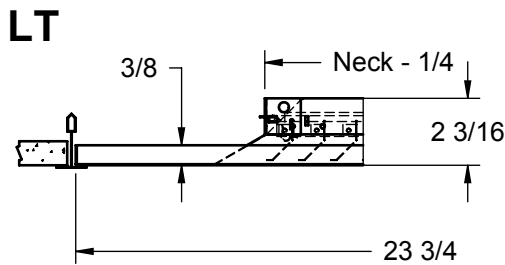
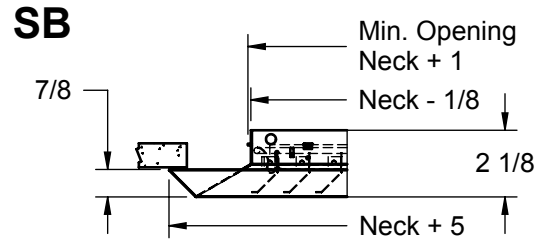
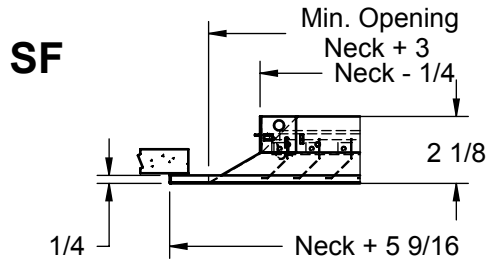


- Several different air patterns can be achieved with a single diffuser
- Four individual louver modules can be set in a 4-way, 3-way, 2-way, or 1-way air pattern and are adjustable without the use of tools
- Louver modules can be removed for access to the mounting margin and neck damper
- Standard finish is white paint (WH)
- Field installed AMOBD damper (must be ordered with screwdriver operator)



Neck Size (in.)	Available Sizes				
	Surface Mount		Lay-in T-Bar (24x24 Panel Size)		
	SF	SB	LT	TG	NR
6x6	X	X	X	X	X
8x8	X	X	X	X	X
10x10	X	X	X	X	X
12x12	X	X	X	X	X
14x14	X	X	X	X	X
16x16	X	X	X	X	X
18x18	X	X	X	X	X
20x20	X	X			
22x22	X	X			
24x24	X	X			

"X" denotes availability



Dimensions in inches

Job: _____	Tag: _____	AQD Aluminum Modular Core Diffuser
Location: _____	Submitted By: _____	
Architect: _____		
Engineer: _____		
Contractor: _____	SD - 1849	Rev: C (03/11)