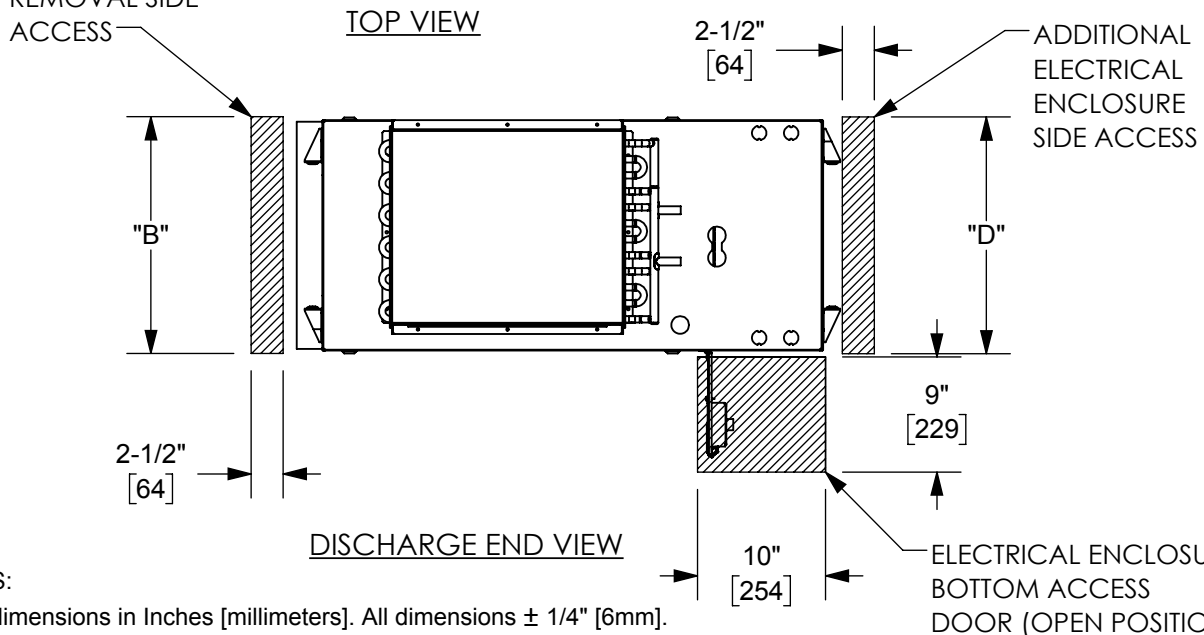


SIZE	"A"	"B"	"C"	"D"
07&10	14-1/2"	15"	35-1/2"	15"
12,15,20	20-1/2"	18"	40-1/2"	18"
25	18-1/2"	20"	40-1/2"	20"



NOTES:

1. All dimensions in Inches [millimeters]. All dimensions $\pm 1/4"$ [6mm].
2. Left Hand unit shown, Right Hand unit opposite.
3. Standard control enclosure is integrated into unit side. Includes (4) knockouts on (2) sides. Provide sufficient clearance to access electrical controls and comply with applicable codes and ordinances. NEC clearance is from the bottom of the unit.



THIS DRAWING CONTAINS PROPRIETARY DATA. UNAUTHORIZED DISCLOSURE, REPRODUCTION, OR USE IS STRICTLY PROHIBITED WITHOUT WRITTEN PERMISSION.

SUBMITTAL DRAWING
ALL DRAWINGS ARE SUBJECT TO CHANGE WITHOUT PRIOR NOTICE

DO NOT SCALE DRAWING
DIMENSIONS ARE IN INCH (MM) FORMAT +/- 1/8 (3) UNLESS OTHERWISE NOTED

TITLE: **MODEL CRB SIZES 07-25, HOT WATER COIL, EXTERNAL SPACE REQUIREMENTS**

DATE	SHEET	DRAWING NO	REV
07/21/20	PAGE 1 OF 1	10-80006	A