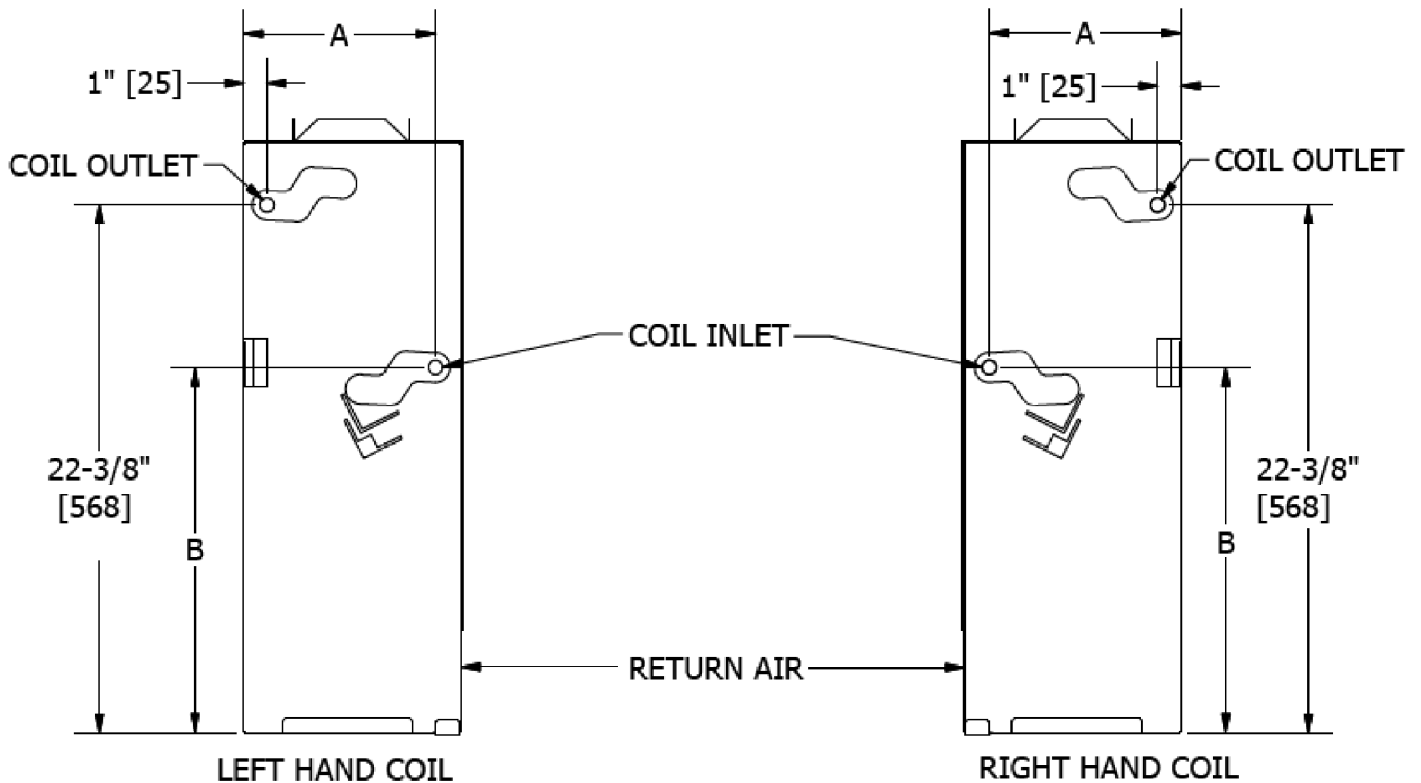


COIL 1 ONLY

WATER COIL CONNECTIONS



2-PIPE - ALL UNIT SIZES					
COIL # 1	DIMENSION	COIL ROWS			
		HW ONLY 1 ROW	CW / HW 2 ROWS	CW / HW 3 ROWS	CW ONLY 4 ROWS SEE NOTE 2
	A	6.0" [152]	7.25" [184]	7.87" [200]	8.12" [206]
B	14.57" [370]	14.64" [372]	15.68" [398]	15.5" [394]	

NOTES:

1. All Coils Are 5/8" OD Connections.
2. 4-Row Coil Not Available With Electric Heat.

TITLE: MODEL VF SERIES C FAN COIL UNIT
COIL CONNECTION LOCATIONS



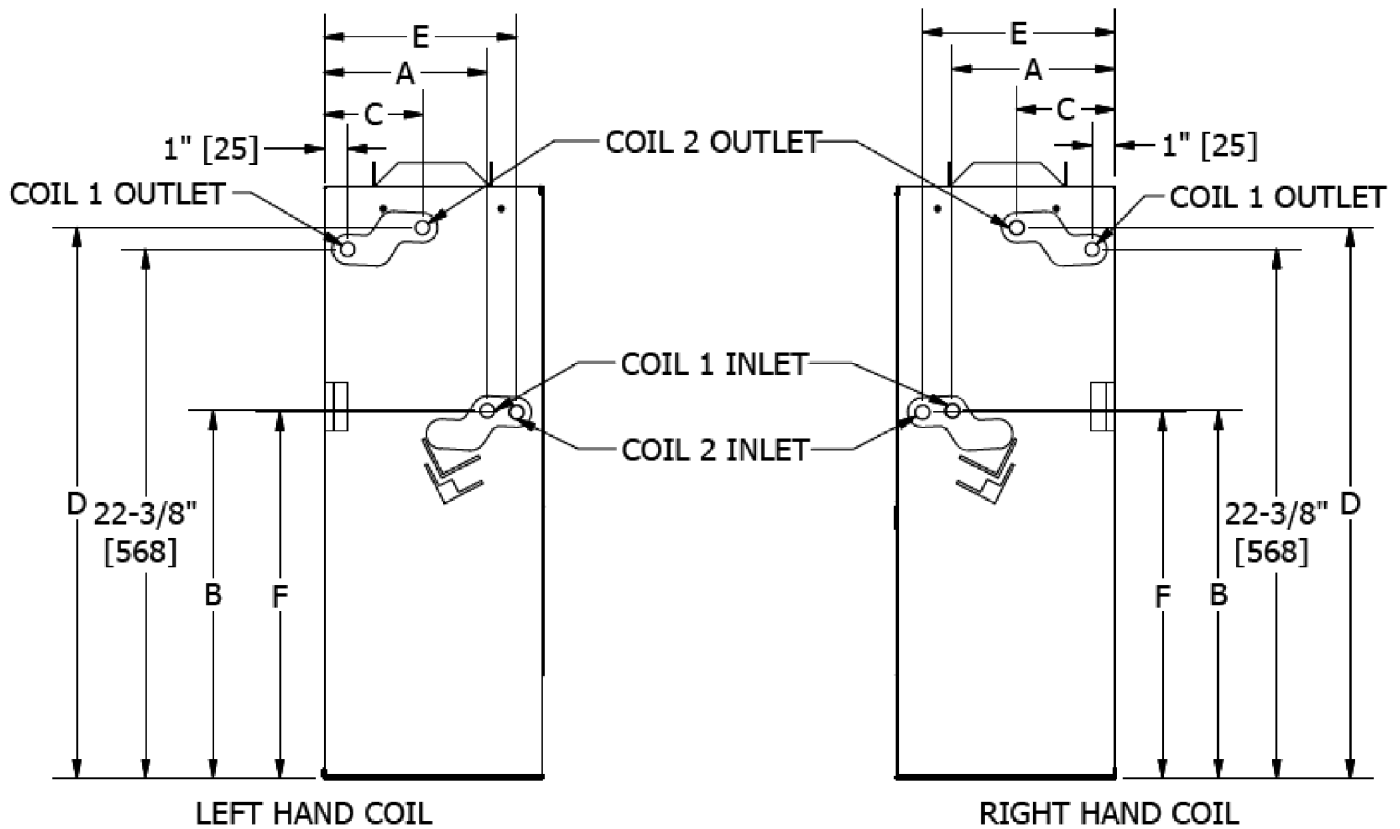
DRN BY: CCC	DATE: 03/15/11	SCALE: NA	DRAWING NO.
CKD BY:	DATE:	REV: A	

THIS DRAWING CONTAINS PROPRIETARY DATA. UNAUTHORIZED DISCLOSURE, REPRODUCTION, OR USE IS STRICTLY PROHIBITED WITHOUT WRITTEN PERMISSION.

DO NOT SCALE DRAWING. DIMENSIONS AND DATA ARE SUBJECT TO CHANGE WITHOUT NOTICE. CONTACT FACTORY FOR CERTIFIED DRAWINGS.

51-80069

COIL 1 & COIL 2 WATER COIL CONNECTIONS



4-PIPE - ALL UNIT SIZES						
COIL # 1	DIMENSION	COIL ROWS				
		HW ONLY 1 ROW		CW / HW 2 ROWS		CW / HW 3 ROWS
	A	6.0" [152]		7.25" [184]		7.87" [200]
	B	14.57" [370]		14.64" [372]		15.68" [398]
COIL # 2	DIMENSION	CW ONLY 2 ROW	CW ONLY 3 ROW	CW / HW 1 ROW	CW / HW 2 ROW	CW / HW 1 ROW
		C	2.22" [56]	2.22" [56]	2.90" [74]	2.90" [74]
	D	22.30" [566]	22.30" [566]	23.35" [593]	23.35" [593]	23.28" [591]
	E	6.88" [175]	8.13" [207]	6.88" [175]	8.13" [207]	8.13" [207]
	F	15.55" [395]	15.45" [391]	15.55" [395]	15.45" [391]	15.45" [391]

NOTES:

1. All Coils Are 5/8" OD Connections.
2. 4-Row Coil Not Available With Electric Heat.

TITLE:

MODEL VF SERIES C FAN COIL UNIT
COIL CONNECTION LOCATIONS



ENVIRO-TEC[®]

DRN BY: **CCC** DATE: **03/15/11** SCALE: **NA** DRAWING NO.

CKD BY: DATE: REV: **A**

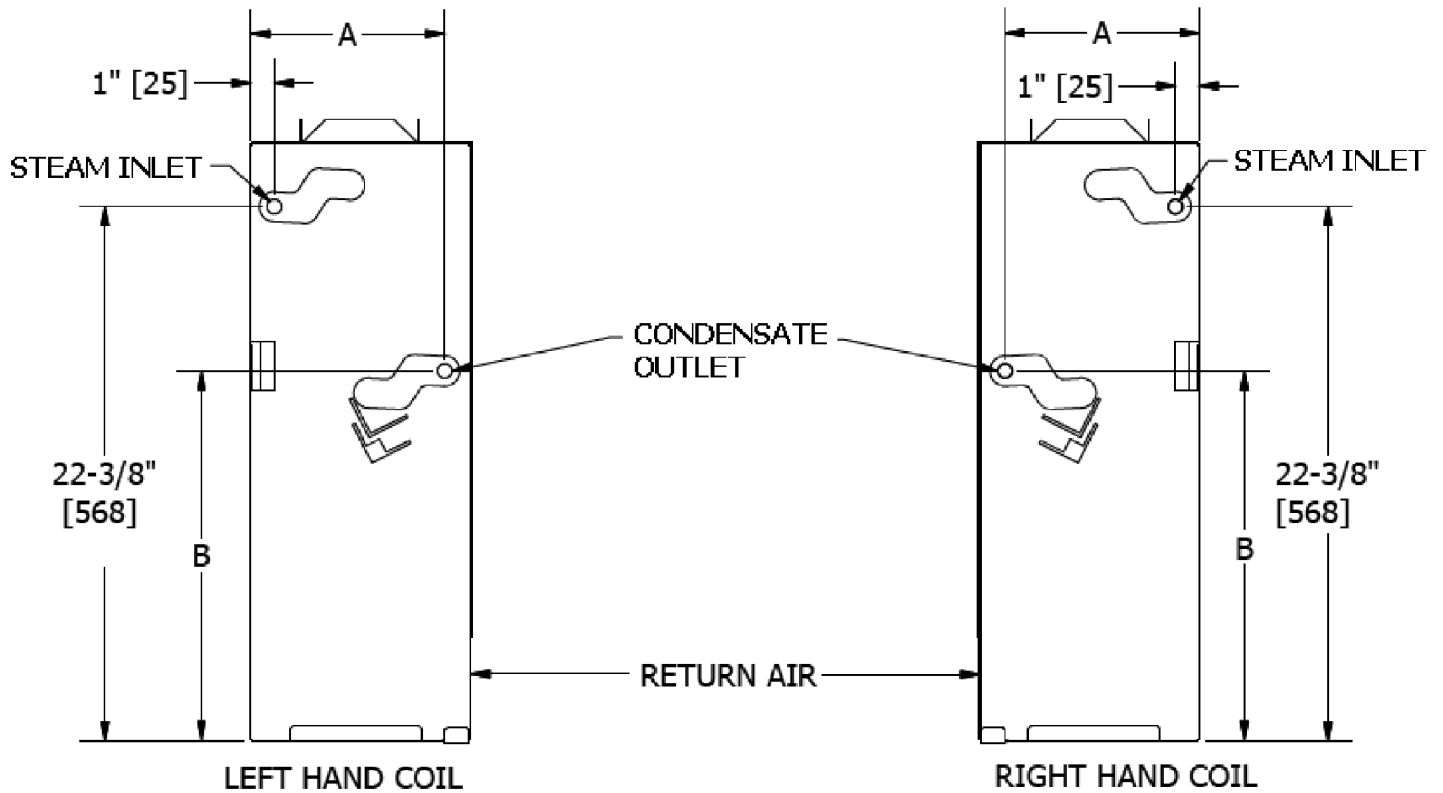
THIS DRAWING CONTAINS PROPRIETARY DATA. UNAUTHORIZED DISCLOSURE, REPRODUCTION, OR USE IS STRICTLY PROHIBITED WITHOUT WRITTEN PERMISSION.

DO NOT SCALE DRAWING
DIMENSIONS AND DATA ARE SUBJECT TO CHANGE WITHOUT NOTICE.
CONTACT FACTORY FOR CERTIFIED DRAWINGS.

51-80069

COIL 1 ONLY

STEAM COIL CONNECTIONS



2-PIPE - ALL UNIT SIZES			
COIL #1	DIMENSION	COIL ROWS	
		STEAM 1 ROW	STEAM 2 ROWS
	A	6.0" [152]	7.25" [184]
B	14.57" [370]	14.64" [372]	

NOTES:

1. All Coils Are 5/8" OD Connections.
2. 4-Row Coil Not Available With Electric Heat.

TITLE: MODEL VF SERIES C FAN COIL UNIT
COIL CONNECTION LOCATIONS



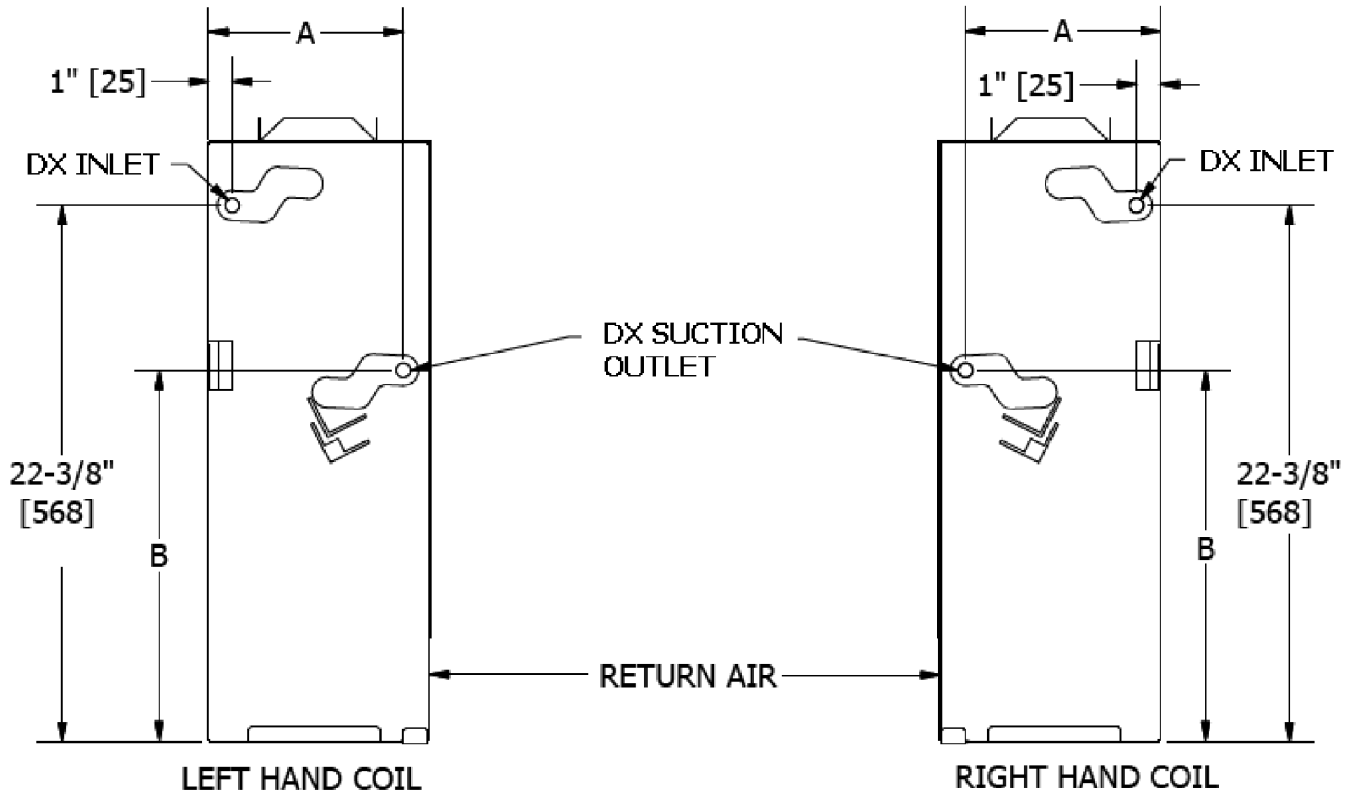
DRN BY: CCC	DATE: 03/15/11	SCALE: NA	DRAWING NO.
CKD BY: GMA	DATE: 07/31/15	REV: A	

51-80069

THIS DRAWING CONTAINS PROPRIETARY DATA.
UNAUTHORIZED DISCLOSURE, REPRODUCTION, OR USE
IS STRICTLY PROHIBITED WITHOUT WRITTEN PERMISSION

DO NOT SCALE DRAWING
DIMENSIONS AND DATA ARE SUBJECT TO CHANGE WITHOUT NOTICE.
CONTACT FACTORY FOR CERTIFIED DRAWINGS.

COIL 1 ONLY DX COIL CONNECTIONS



2-PIPE - ALL UNIT SIZES			
DIMENSION	DX	DX	DX
	2 ROWS	3 ROWS	4 ROWS SEE NOTE 2
A	7.25" [184]	7.87" [200]	8.12" [206]
B	14.64" [372]	15.68" [398]	15.5" [394]

NOTES:

1. All Coils Are 5/8" OD Connections.
2. 4-Row Coil Not Available With Electric Heat.

TITLE:

MODEL VF SERIES C FAN COIL UNIT
COIL CONNECTION LOCATIONS



ENVIRO-TEC®

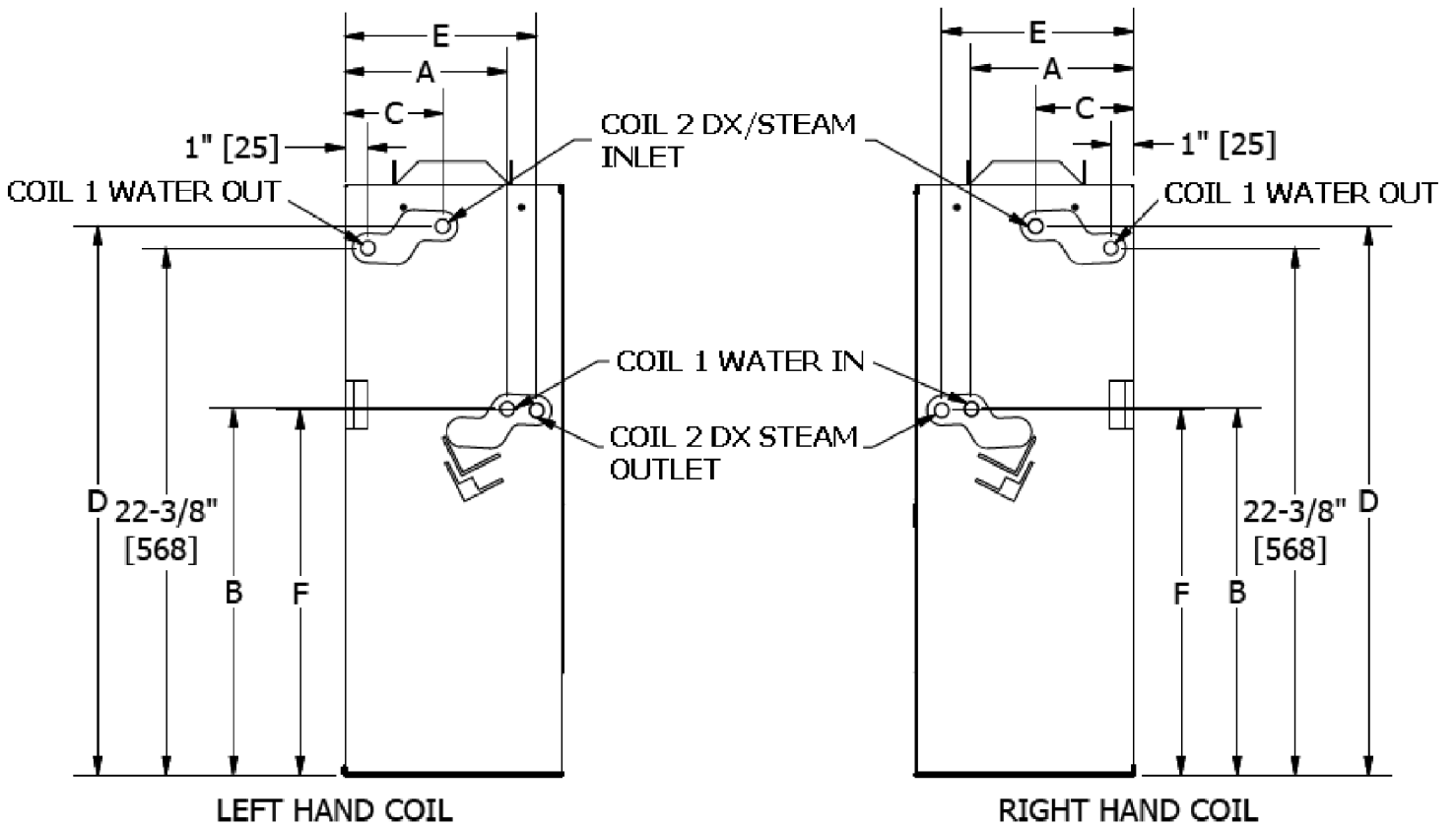
DRN BY: CCC	DATE: 03/15/11	SCALE: NA	DRAWING NO.
CKD BY:	DATE:	REV: A	

THIS DRAWING CONTAINS PROPRIETARY DATA.
UNAUTHORIZED DISCLOSURE, REPRODUCTION, OR USE
IS STRICTLY PROHIBITED WITHOUT WRITTEN PERMISSION

DO NOT SCALE DRAWING
DIMENSIONS AND DATA ARE SUBJECT TO CHANGE WITHOUT NOTICE.
CONTACT FACTORY FOR CERTIFIED DRAWINGS.

51-80069

COIL 1 & COIL 2 WATER & STEAM/DX COIL CONNECTIONS



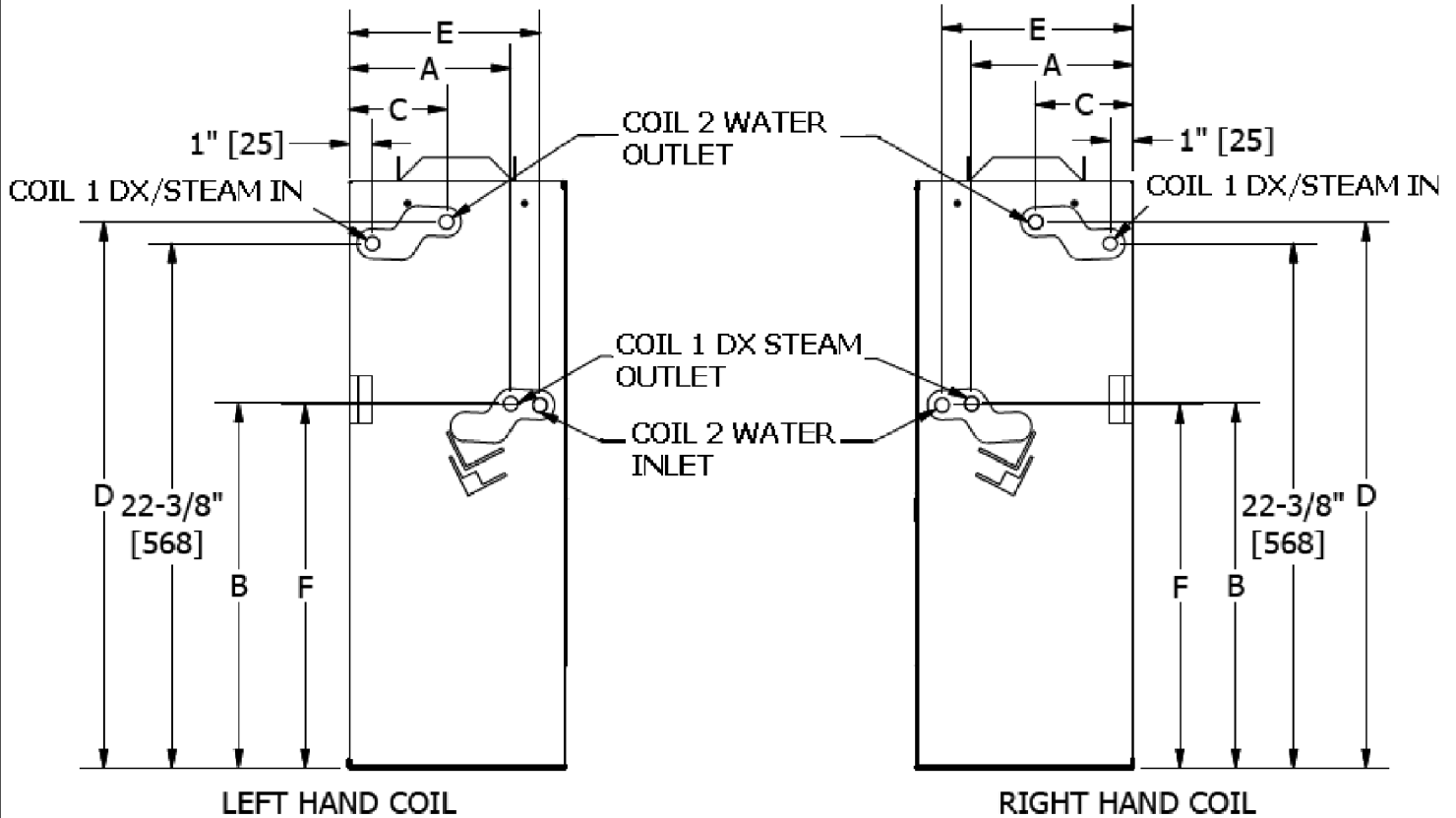
4-PIPE - ALL UNIT SIZES							
COIL # 1	DIMENSION	COIL ROWS					
		HW ONLY		CW / HW			
		1 ROW		2 ROWS		CW / HW	
						3 ROWS	
	A	6.0" [152]		7.25" [184]		7.87" [200]	
	B	14.57" [370]		14.64" [372]		15.68" [398]	
COIL # 2	DIMENSION	DX / STM		STEAM	DX / STM	STEAM	
		2 ROW		1 ROW	2 ROW		1 ROW
				3 ROW			
		C	2.22" [56]	2.22" [56]	2.90" [74]	2.90" [74]	4.15" [105]
		D	22.30" [566]	22.30" [566]	23.35" [593]	23.35" [593]	23.28" [591]
	E	6.88" [175]	8.13" [207]	6.88" [175]	8.13" [207]	8.13" [207]	
	F	15.55" [395]	15.45" [391]	15.55" [395]	15.45" [391]	15.45" [391]	

NOTES:

1. All Coils Are 5/8" OD Connections.
2. 4-Row Coil Not Available With Electric Heat.

<p>TITLE: MODEL VF SERIES C FAN COIL UNIT COIL CONNECTION LOCATIONS</p>	
<p>THIS DRAWING CONTAINS PROPRIETARY DATA. UNAUTHORIZED DISCLOSURE, REPRODUCTION, OR USE IS STRICTLY PROHIBITED WITHOUT WRITTEN PERMISSION.</p>	<p>DO NOT SCALE DRAWING. DIMENSIONS AND DATA ARE SUBJECT TO CHANGE WITHOUT NOTICE. CONTACT FACTORY FOR CERTIFIED DRAWINGS.</p>
<p>DRN BY: CCC DATE: 03/15/11 SCALE: NA DRAWING NO.:</p> <p>CKD BY: DATE: REV: A</p>	<p>51-80069</p>

COIL 1 & COIL 2 STEAM/DX & WATER COIL CONNECTIONS



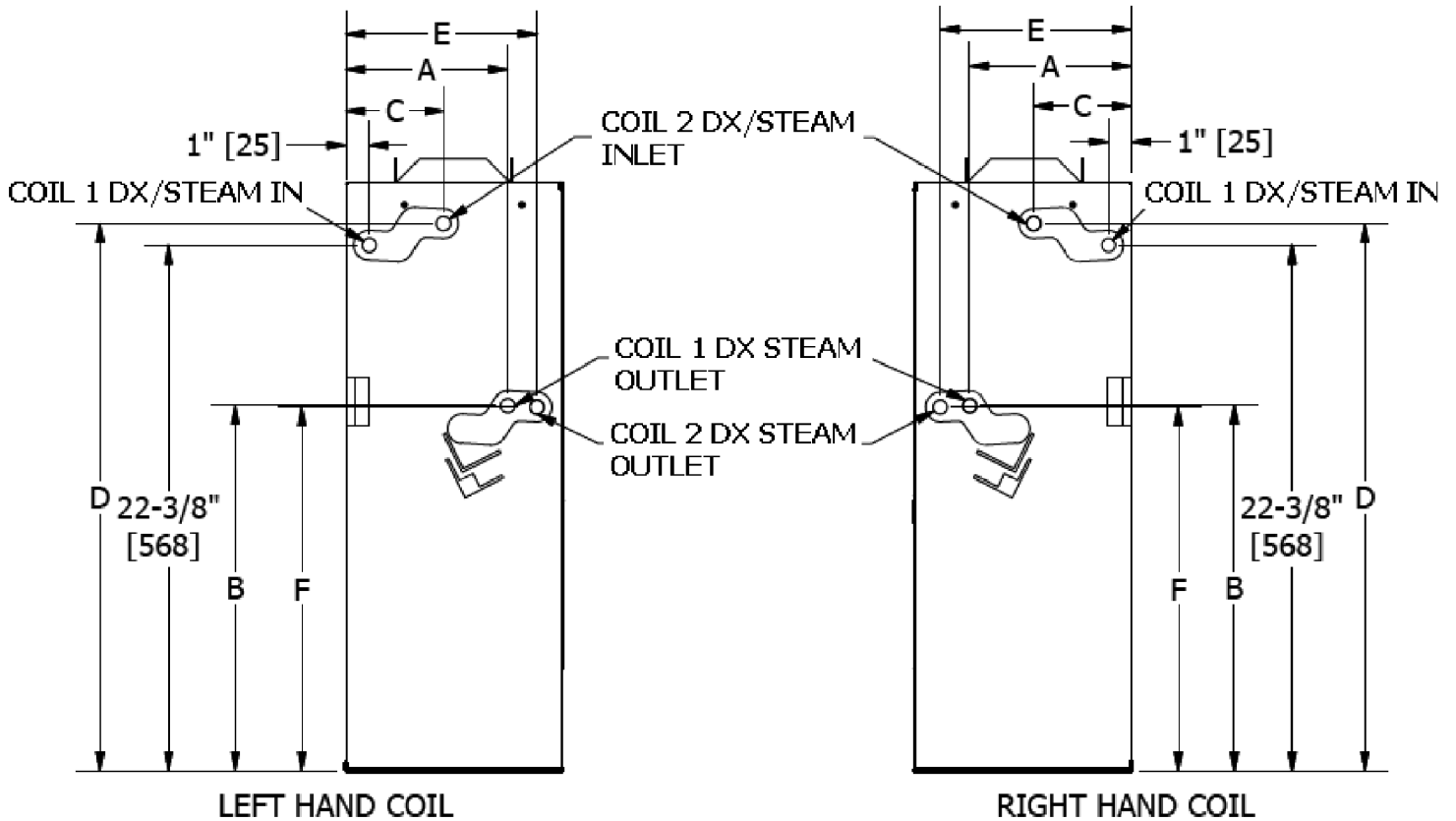
4-PIPE - ALL UNIT SIZES						
COIL # 1	DIMENSION	COIL ROWS				
		STEAM 1 ROW		DX / STEAM 2 ROWS		DX 3 ROWS
	A	6.0" [152]		7.25" [184]		7.87" [200]
	B	14.57" [370]		14.64" [372]		15.68" [398]
COIL # 2	DIMENSION	CW / HW 2 ROW	CW ONLY 3 ROW	HW ONLY 1 ROW	CW / HW 2 ROW	HW ONLY 1 ROW
		C	2.22" [56]	2.22" [56]	2.90" [74]	2.90" [74]
	D	22.30" [566]	22.30" [566]	23.35" [593]	23.35" [593]	23.28" [591]
	E	6.88" [175]	8.13" [207]	6.88" [175]	8.13" [207]	8.13" [207]
	F	15.55" [395]	15.45" [391]	15.55" [395]	15.45" [391]	15.45" [391]

NOTES:

1. All Coils Are 5/8" OD Connections.
2. 4-Row Coil Not Available With Electric Heat.

<p>TITLE: MODEL VF SERIES C FAN COIL UNIT COIL CONNECTION LOCATIONS</p>	
DRN BY: CCC DATE: 03/15/11 SCALE: NA DRAWING NO.	CKD BY: DATE: REV: A
THIS DRAWING CONTAINS PROPRIETARY DATA. UNAUTHORIZED DISCLOSURE, REPRODUCTION, OR USE IS STRICTLY PROHIBITED WITHOUT WRITTEN PERMISSION.	DO NOT SCALE DRAWING. DIMENSIONS AND DATA ARE SUBJECT TO CHANGE WITHOUT NOTICE. CONTACT FACTORY FOR CERTIFIED DRAWINGS.
51-80069	

COIL 1 & COIL 2 STEAM/DX COIL CONNECTIONS



4-PIPE - ALL UNIT SIZES						
COIL # 1	DIMENSION	COIL ROWS				
		STEAM 1 ROW	DX / STEAM 2 ROWS	DX 3 ROWS		
	A	6.0" [152]	7.25" [184]	7.87" [200]		
	B	14.57" [370]	14.64" [372]	15.68" [398]		
COIL # 2	DIMENSION	DX / STM 2 ROW	DX ONLY 3 ROW	STEAM 1 ROW	DX / STM 2 ROW	STEAM 1 ROW
	C	2.22" [56]	2.22" [56]	2.90" [74]	2.90" [74]	4.15" [105]
	D	22.30" [566]	22.30" [566]	23.35" [593]	23.35" [593]	23.28" [591]
	E	6.88" [175]	8.13" [207]	6.88" [175]	8.13" [207]	8.13" [207]
	F	15.55" [395]	15.45" [391]	15.55" [395]	15.45" [391]	15.45 [391]

- NOTE
1. All Coils Are 5/8" OD Connections.
 2. 4-Row Coil Not Available With Electric Heat.

TITLE: MODEL VF SERIES C FAN COIL UNIT COIL CONNECTION LOCATIONS	
THIS DRAWING CONTAINS PROPRIETARY DATA. UNAUTHORIZED DISCLOSURE, REPRODUCTION, OR USE IS STRICTLY PROHIBITED WITHOUT WRITTEN PERMISSION	DO NOT SCALE DRAWING DIMENSIONS AND DATA ARE SUBJECT TO CHANGE WITHOUT NOTICE. CONTACT FACTORY FOR CERTIFIED DRAWINGS.
DRN BY: CCC DATE: 03/15/11 SCALE: NA DRAWING NO.	CKD BY: DATE: REV: A
51-80069	