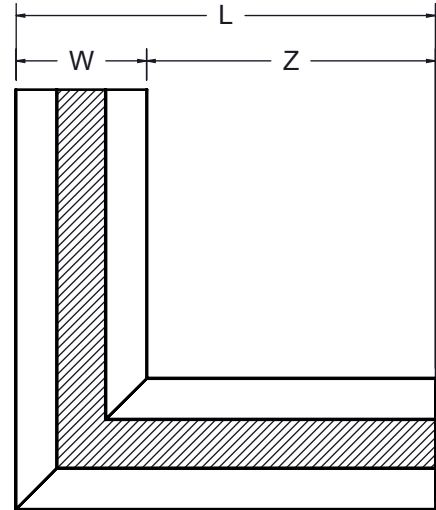
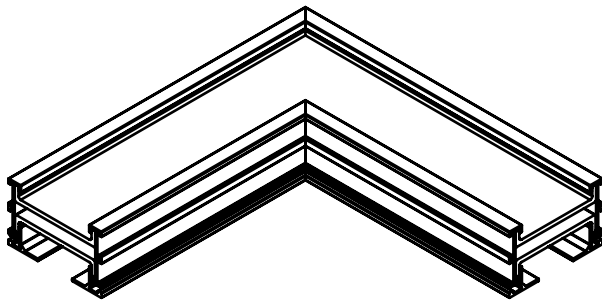


- Optional Mitered Corners for AIR-TRAC™ Linear Diffusers are available
- Mitered Corners are inactive and include factory installed blank-offs

Optional Mitered Corner



Number of Slots	Slot Width	Margin Style L			Margin Style B/C			Margin Style S		
		L	W	Z	L	W	Z	L	W	Z
1	1	8 3/4	2 3/4	6	9 1/4	3 3/4	5 1/2	9 1/2	4 1/4	5 1/4
	1 1/2	9 3/4	3 3/4	6	10 1/4	4 3/4	5 1/2	10 1/2	5 1/4	5 1/4
	2	10 3/4	4 3/4	6	11 1/4	5 3/4	5 1/2	11 1/2	6 1/4	5 1/4
	2 1/2	11 3/4	5 3/4	6	12 1/4	6 3/4	5 1/2	N/A	N/A	N/A
	3	12 3/4	6 3/4	6	13 1/4	7 3/4	5 1/2	N/A	N/A	N/A
2	1	11 3/16	5 3/16	6	11 11/16	6 3/16	5 1/2	N/A	N/A	N/A
	1 1/2	13 3/16	7 3/16	6	13 11/16	8 11/16	5 1/2	N/A	N/A	N/A
	2	15 3/16	9 3/16	6	15 11/16	10 11/16	5 1/2	N/A	N/A	N/A
	2 1/2	17 3/16	11 3/16	6	17 11/16	12 11/16	5 1/2	N/A	N/A	N/A
	3	19 3/16	13 3/16	6	19 11/16	14 11/16	5 1/2	N/A	N/A	N/A

Dimensions in inches

Job: _____
 Location: _____
 Architect: _____
 Engineer: _____
 Contractor: _____

Tag: _____
 Submitted By: _____
 SD - 2095 Rev: C (07/14)

AIR-TRAC™
Mitered Corners