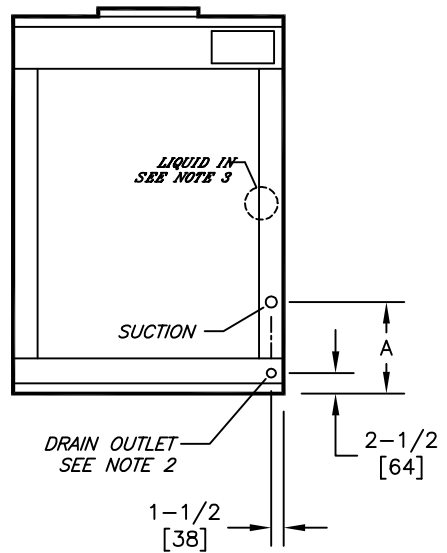
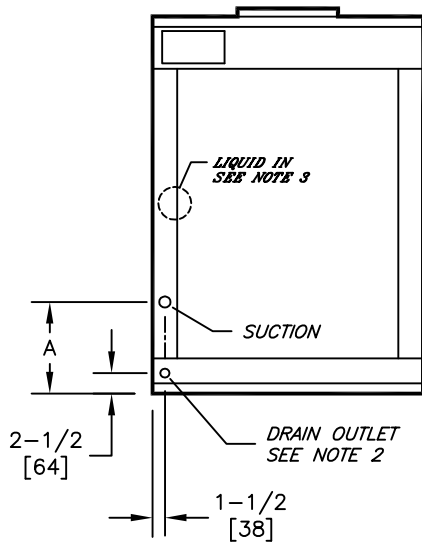


FIG. 4

4-6 ROW DX EVAPORATOR COOLING



INTERNAL EVAPORATOR COILS					
UNIT SIZE	4 ROWS		6 ROWS		
	SUCT. SIZE	A	SUCT. SIZE	A	
08	5/8 [16]	5-1/8 [130]	5/8 [16]	5-1/8 [130]	
12	7/8 [23]		7/8 [23]		
16					1-1/8 [29]
20					
25					
30	1-1/8 [29]				

NOTES:

1. All dimensions are Inches [millimeters]. All dimensions are $\pm 1/2"$ [13mm]. Metric values are soft conversion.
2. Standard galvanized drain pan has 1-1/8" ODM copper connection. Optional stainless steel drain pan has 1" galvanized Sch. 40 threaded steel connection.
3. Connection at refrigerant distributor is internal to allow proper installation of expansion valve.
4. All coils are single refrigerant circuit only.
5. Dimensions are based on unit cabinet only, and do not include filter rack or base rail.

TITLE:

MDL VB/VR, SERIES C, CONNECTION LOCATIONS
BELT DRIVE BLOWER COIL UNIT
DX EVAP COOLING COIL



ENVIRO-TEC®

DRN BY: JGH	DATE: 3/20/15	SCALE: 1=22	DRAWING NO.
CKD BY: DB	DATE: 3/20/15	REV: 03	

THIS DRAWING CONTAINS PROPRIETARY DATA. UNAUTHORIZED DISCLOSURE, REPRODUCTION, OR USE IS STRICTLY PROHIBITED WITHOUT WRITTEN PERMISSION

DO NOT SCALE DRAWING. DIMENSIONS AND DATA ARE SUBJECT TO CHANGE WITHOUT NOTICE. CONTACT FACTORY FOR CERTIFIED DRAWINGS.

BRC-004