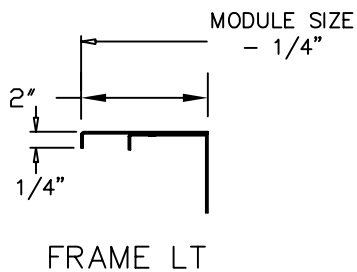
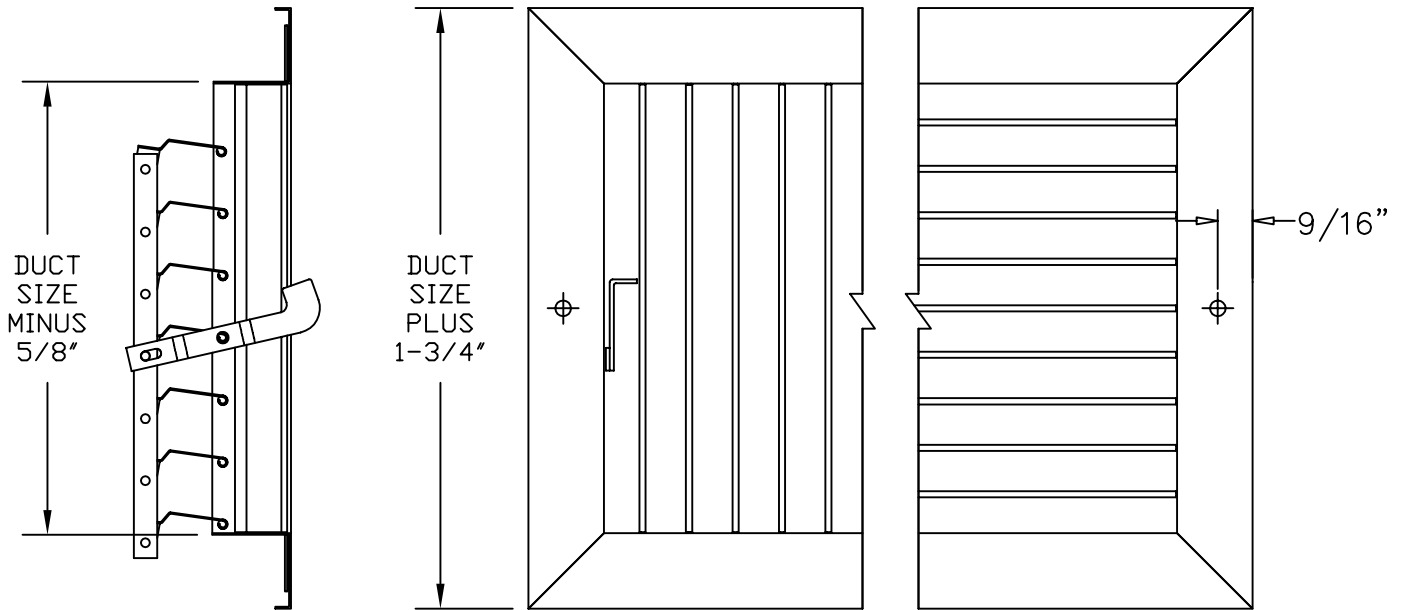
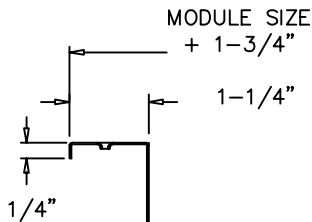


- Bars spaced on 3/4" centers
- Model T52 has individually adjustable horizontal face bars
- Model T62 has individually adjustable vertical face bars
- Adjustable multi-shutter damper
- Steel construction
- Standard finish is white (WH)

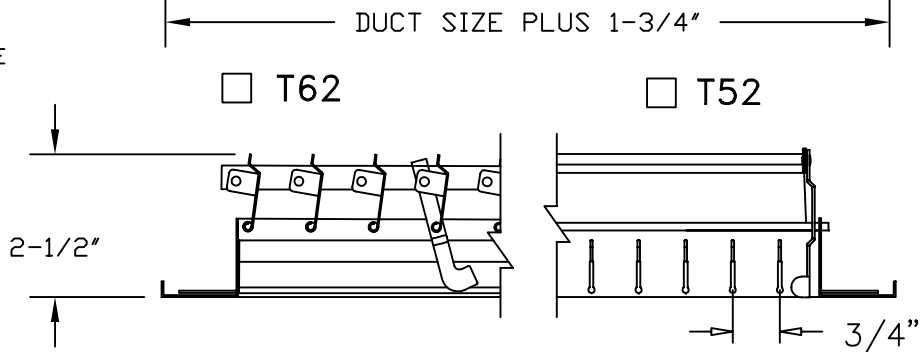
Face view



FRAME LT



FRAME SF



T62

T52

Dimensions in inches. Product information subject to change without notice.

JOB NAME: _____	SUBMITTED BY: _____	DATE: 9/28/00	SD-1089.1
LOCATION: _____		T52/T62	
ARCHITECT: _____		Steel Register Adjustable	
ENGINEER: _____		Horizontal or Vertical Face Bars	
CONTRACTOR: _____		Multi-Shutter Damper	