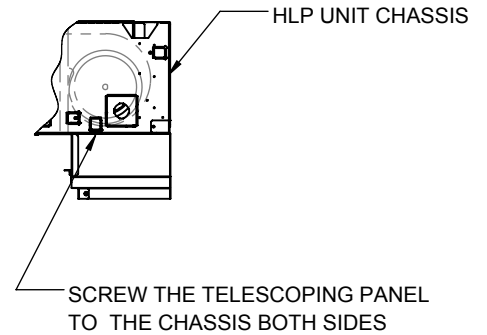


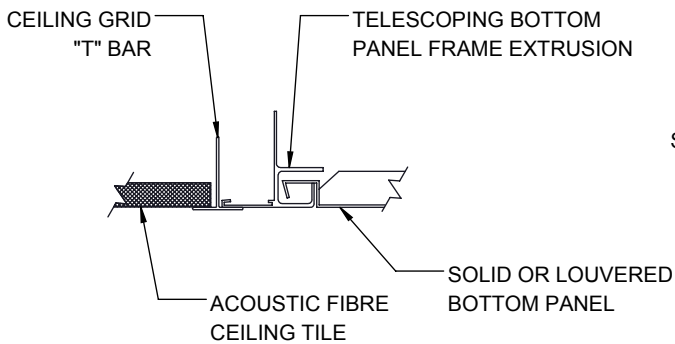
SIDE VIEW

TYPICAL INSTALLATION METHODS



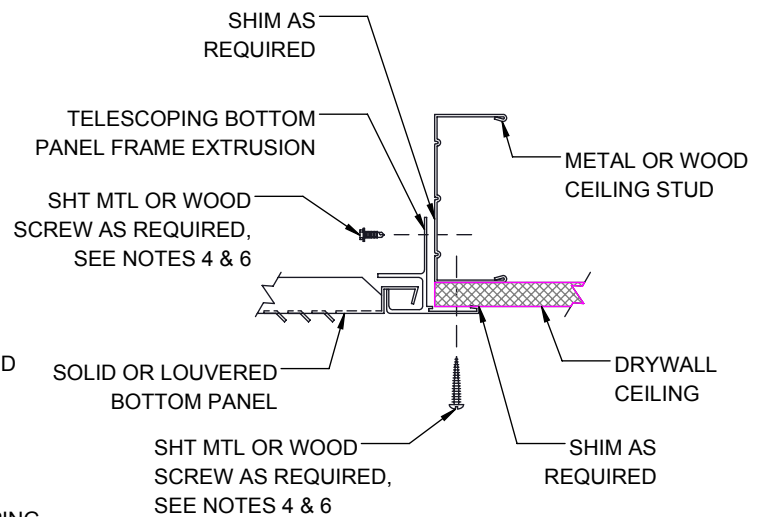
SIDE VIEW

INLET COLLAR INSTALLATION



NOTE: CEILING "T" BAR GRID MAY NOT SUPPORT TELESCOPING BOTTOM PANEL ASSEMBLY. BOTTOM PANEL ASSEMBLY MAY REQUIRE INDEPENDENT SUPPORT.

SUSPENDED GRID/TILE CEILING SYSTEM



STUD/DRYWALL CEILING SYSTEM

NOTE:

1. All dimensions are inches [millimeters]. All dimensions $\pm 1/4$ " [6mm]. Metric values are soft conversion.
2. All drawings subject to change without prior notice.
3. Left hand unit shown, right hand unit opposite.
4. Mounting hardware not provided. Mounting holes are located.
5. Remove solid and louvered bottom panels before mounting frame assembly.
6. Frame assembly must be installed flat and square. Failure to do so may result in poor bottom panel fit and improper airflow pattern. Shim frame to support as required.
7. Telescoping skirt assembly must be field adjusted to assure close fit to louvered bottom panel.
8. Portions of the inlet louver not directly below unit inlet may require covering in the field on applications where infiltration of ceiling plenum air into space is undesired.

UNCONTROLLED WHEN PRINTED



THIS DRAWING CONTAINS PROPRIETARY DATA. UNAUTHORIZED DISCLOSURE, REPRODUCTION, OR USE IS STRICTLY PROHIBITED WITHOUT WRITTEN PERMISSION.

SUBMITTAL DRAWING
ALL DRAWINGS ARE SUBJECT TO CHANGE WITHOUT PRIOR NOTICE

DO NOT SCALE DRAWING
DIMENSIONS ARE IN INCHES UNLESS OTHERWISE NOTED

TITLE: **MODEL HLP**
FAN COIL UNIT SERIES D TELESCOPING PANEL INSTALLATION INSTRUCTIONS

DATE	SHEET	DRAWING NO	REV
04/06/16	PAGE 1 OF 1	47-80120	00