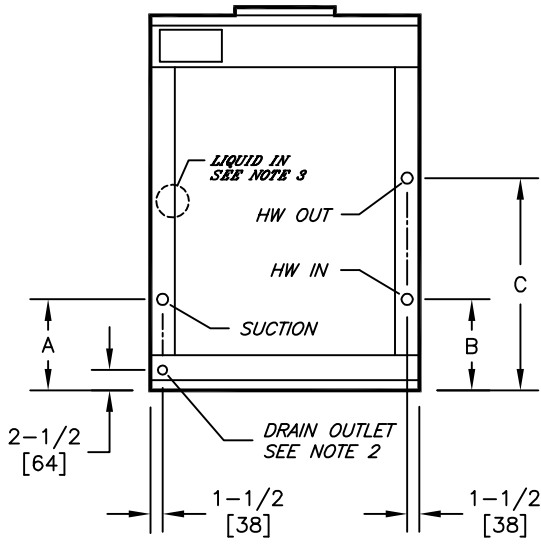


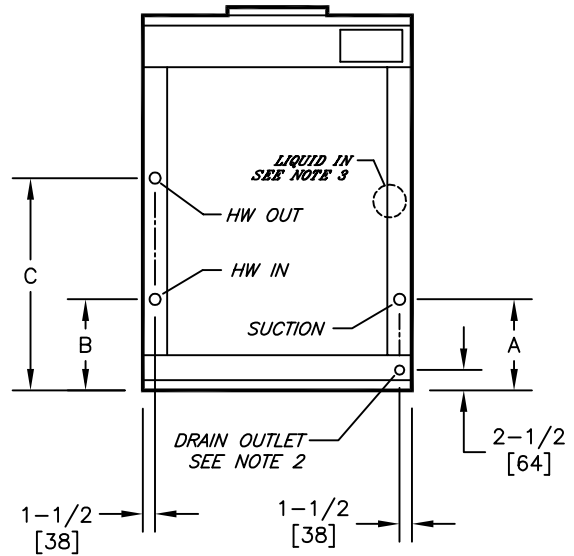
**FIG. 5**

**4/1 AND 4/2 ROW EVAP COOLING/HW HEATING**

**(HW COIL IN RE-HEAT POSITION)**



**LEFT HAND UNIT**



**RIGHT HAND UNIT**

| INTERNAL COOLING/HEATING COILS |               |             |            |         |              |               |             |            |         |              |            |          |             |             |              |              |
|--------------------------------|---------------|-------------|------------|---------|--------------|---------------|-------------|------------|---------|--------------|------------|----------|-------------|-------------|--------------|--------------|
| UNIT SIZE                      | 4/1 ROW COILS |             |            |         |              | 4/2 ROW COILS |             |            |         |              |            |          |             |             |              |              |
|                                | 4 ROW         |             | 1 ROW      |         |              | 4 ROW         |             | 2 ROW      |         |              |            |          |             |             |              |              |
|                                | SUCT. SIZE    | A           | CONN. SIZE | B       | C            | SUCT. SIZE    | A           | CONN. SIZE | B       | C            |            |          |             |             |              |              |
| 08                             | 5/8 [16]      | 5-1/8 [130] | 5/8 [16]   | 8 [203] | 20-5/8 [524] | 5/8 [16]      | 5-1/8 [130] | 5/8 [16]   | 8 [203] | 21-3/4 [552] |            |          |             |             |              |              |
| 12                             | 7/8 [23]      |             |            |         | 7/8 [23]     | 7/8 [23]      |             |            |         | 22-7/8 [581] | 7/8 [23]   | 7/8 [23] | 7/8 [23]    | 8-1/4 [210] | 26-1/8 [664] |              |
| 16                             |               |             |            |         |              |               |             |            |         | 26-1/8 [664] |            |          |             |             | 33-3/4 [857] | 31-1/4 [791] |
| 20                             |               |             |            |         |              |               |             |            |         | 33-3/4 [857] |            |          |             |             |              |              |
| 25                             |               |             |            |         |              |               |             |            |         | 29-3/8 [746] |            |          |             |             | 31-1/4 [791] |              |
| 30                             | 1-1/8 [29]    |             |            |         | 7/8 [23]     | 8-1/8 [206]   |             |            |         | 33-5/8 [854] | 1-1/8 [29] | 7/8 [23] | 8-1/4 [210] | 31 [787]    |              | 35-1/4 [895] |

**NOTES:**

- All dimensions are Inches [millimeters]. All dimensions are  $\pm 1/2"$  [13mm]. Metric values are soft conversion.
- Standard galvanized drain pan has 1-1/8" ODM copper connection. Optional stainless steel drain pan has 1" galvanized Sch. 40 threaded steel connection.
- Connection at refrigerant distributor is internal to allow proper installation of expansion valve.
- 4-pipe units with internal coils have cooling and heating connections on opposite sides of unit.
- All coils are single refrigerant circuit only.
- Dimensions are based on unit cabinet only, and do not include filter rack or base rail.

TITLE: MDL VB/VR, SERIES C, CONNECTION LOCATIONS  
BELT DRIVE BLOWER COIL UNIT  
DX EVAP COOLING/ HW HEATING



DRN BY: JGH DATE: 3/20/15 SCALE: 1=22 DRAWING NO.  
CKD BY: DB DATE: 3/20/15 REV: 04

THIS DRAWING CONTAINS PROPRIETARY DATA. UNAUTHORIZED DISCLOSURE, REPRODUCTION, OR USE IS STRICTLY PROHIBITED WITHOUT WRITTEN PERMISSION

DO NOT SCALE DRAWING. DIMENSIONS AND DATA ARE SUBJECT TO CHANGE WITHOUT NOTICE. CONTACT FACTORY FOR CERTIFIED DRAWINGS.

BRC-005