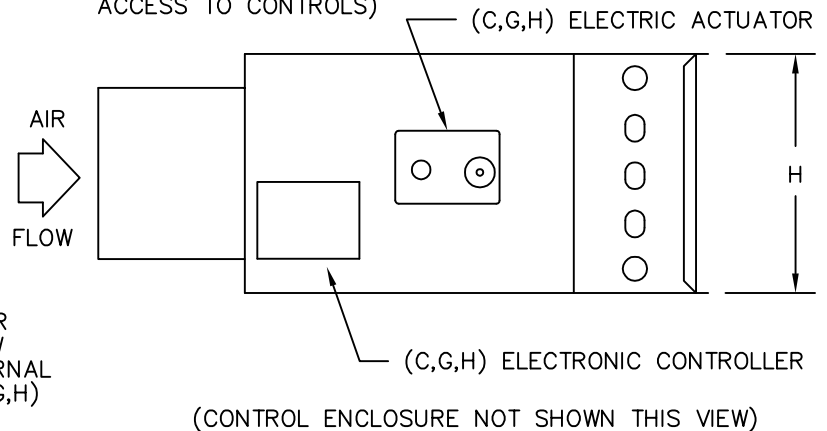
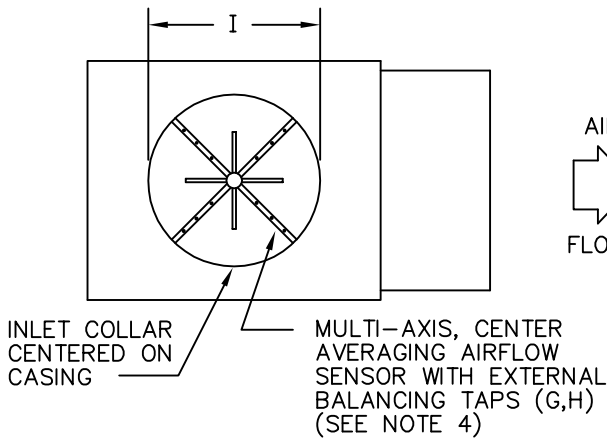
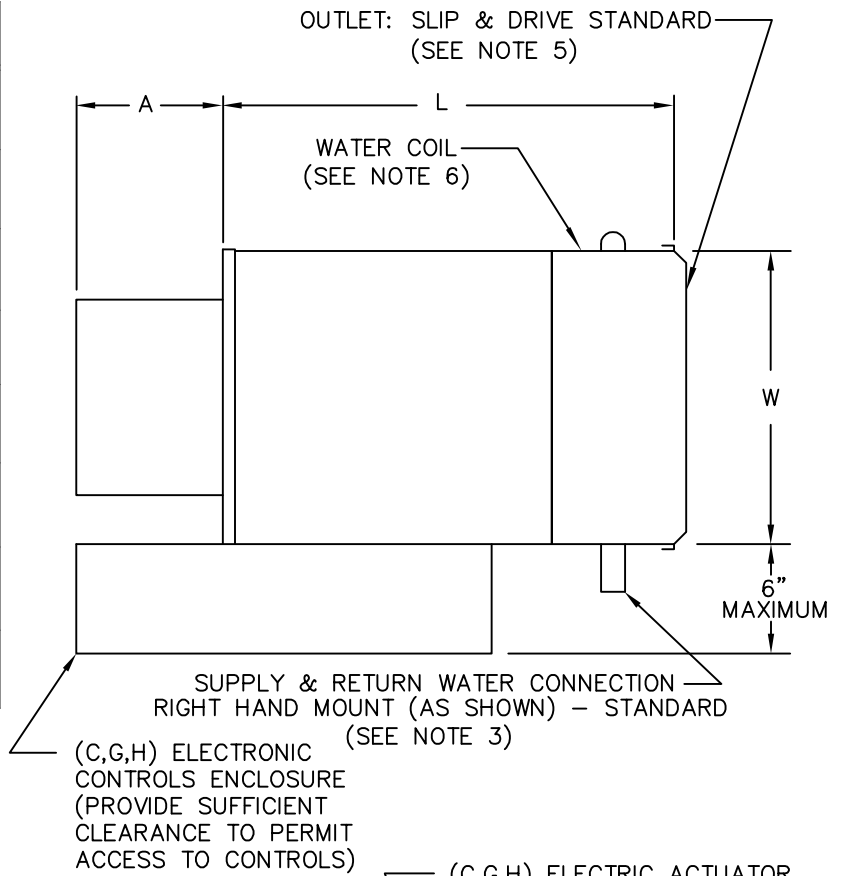


UNIT SIZE	W	H	L	A	I
4	10 [254]	10 [254]	15-1/2 [394]	10-1/2 [267]	3-7/8 [98]
5	10 [254]	10 [254]	15-1/2 [394]	10-1/2 [267]	4-7/8 [124]
6	10 [254]	10 [254]	15-1/2 [394]	6-1/2 [165]	5-7/8 [149]
8	12 [305]	10 [254]	15-1/2 [394]	6-1/2 [165]	7-7/8 [200]
10	14 [356]	12-1/2 [318]	17-1/2 [445]	6-1/2 [165]	9-7/8 [251]
12	16 [406]	15 [381]	17-1/2 [445]	6-1/2 [165]	11-7/8 [302]
14	20 [508]	17-1/2 [445]	21-1/2 [546]	6-1/2 [165]	13-7/8 [352]
16	24 [610]	17-1/2 [445]	21-1/2 [546]	6-1/2 [165]	15-7/8 [403]



**CONSTRUCTION NOTES:**

- MATERIAL:** Galvanized steel; Casing -22 gauge; Air valve casing -22 gauge.
- INSULATION:** 1/2" thick fiberglass complying with NFPA 90-A and UL 181.
- HOT WATER COIL:** Copper tubing with aluminum fins, 10 fins per inch. Supply and Return water connections: 1 Row coil: 1/2" O.D., 2 Row coil: 5/8" O.D., 3 & 4 Row coil: 7/8" O.D.. Coil to be externally insulated by others if required.
- AIRFLOW SENSOR:** Sizes 4 & 5 utilize single-axis linear averaging type.
- INSTALLATION:** A) If internal insulation is utilized in the downstream ductwork, the insulation must be secured in such a manner that no raw insulation edges are exposed to the airstream. B) Inlet collar & hot water coil should be externally insulated by others (in the field) if required.
- WATER COIL:** Dimension 'L' is an additional 1" for SDRWC Units with 4-row coil.

NOTE: All drawings subject to change without prior notice.

(C) TEMPERATURE RESPONSIVE - SERIES SD600      (G) PRESSURE INDEPENDENT - SERIES SD700  
(H) DIRECT DIGITAL PRESSURE INDEPENDENT - SERIES SD800 & SD900

TITLE:  
**MODEL SDR-WC SINGLE DUCT  
 TERMINAL UNIT  
 ELECTRONIC CONTROLS**

DRN BY: CV	DATE: 02/13/92	SCALE: N/A	DRAWING NO. 15241
CKD BY: <i>Chris H</i>	DATE: 04/17/15	REV: 03	