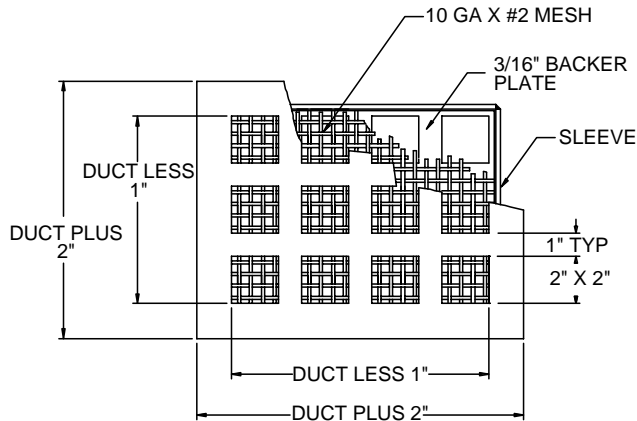
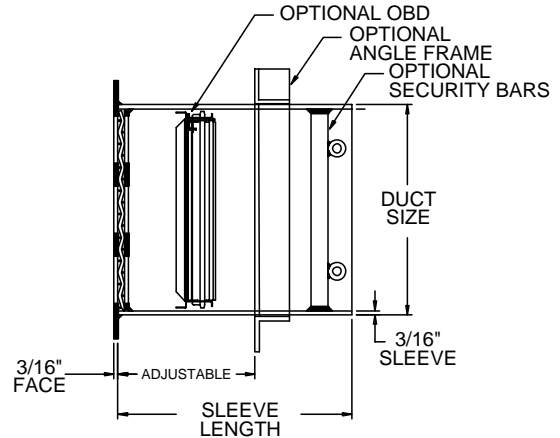


SG100 Standard Construction Details

- **Face Plate:** 3/16" steel with 2" x 2" square holes and 1" fret
- **Backer Plate:** 3/16" steel with 2" x 2" square holes and 1" fret
- **Mesh Screen:** 10 gauge x #2 mesh wire welded between face and backer plate
- **Sleeve:** 3/16" steel (available in 6", 8", 10", 12", & 18" lengths)
- **Finish:** White (WH) or Mill (ML)
- **All welded construction**


Face View Detail

Side View / Damper Detail
Options / Accessories:
 Angle Frame

1-1/2" x 1-1/2" x 3/16" steel angle iron welded at corners (shipped loose and unpainted for field mounting)

 Anchor Bars

3/4" dia. x 3" long steel bars positioned 3" from back of face plate on top & bottom of sleeve

 Security Bars

3/4" dia. steel bars on 6" centers, security bar grid is tack welded twice at each intersection & welded completely around at the sleeve joint

 Damper

Face operated or rear operated steel opposed blade damper, is welded into sleeve

Available Sizes:

6" x 4" to 30" x 30" in 2" increments (9" x 9" is the only odd size available)

Dimensions are in inches. Product information subject to change without notice.

PROJECT:	SUBMITTED BY:	DATE: 2-25-02	SD-1828
ARCHITECT:		SG100 Security Grille Supply or Return Steel	
ENGINEER:			
CONTRACTOR:			
LOCATION:			