

FIG. 10

**RIGHT HAND    STM HEATING + R-410 COOLING    LEFT HAND**  
**HTG COIL IN RE-HEAT POSITION**

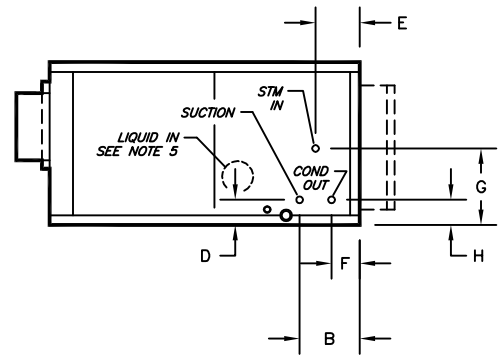
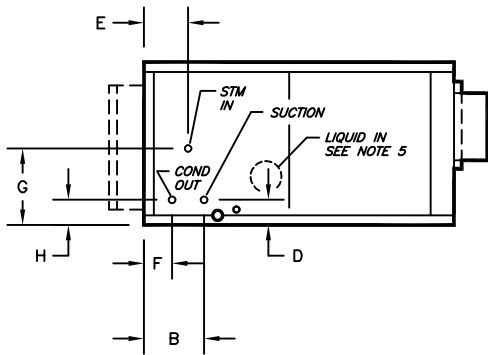
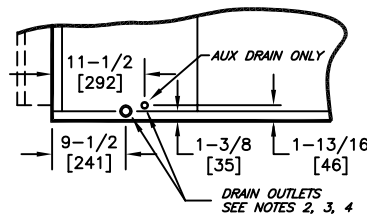


FIG. 11

**RIGHT HAND    STM HEATING + R-410 COOLING    LEFT HAND**  
**HTG COIL IN PRE-HEAT POSITION**



**TYPICAL DRAIN LOCATIONS**

NOTES:

- All dimensions are Inches [millimeters]. All dimensions are  $\pm 1/2"$  [13mm]. Metric values are soft conversion.
- Standard galvanized IAQ drain pan has 1-1/8" ODM copper connection on one side.
- Stainless Steel IAQ drain pan has 1" stainless Sch. 40 threaded steel connection on one side only. Optional Aux connection is 3/8" stainless sch. 40 threaded steel.
- Horizontal unit shown. Coil connection locations are typical for vertical units relative to lower bottom corner at entering air side.
- Connection at refrigerant distributor is internal to allow proper installation of expansion valve.

TITLE:

BLOWER COIL UNIT  
 STEAM HEATING & R-410 SGL CKT CLG COIL  
 COIL CONNECTION LOCATION



DRN BY: WRG	DATE: 12/03/19	SCALE: 1=22	DRAWING NO.
CKD BY: KS	DATE: 4/11/15	REV: A	

THIS DRAWING CONTAINS PROPRIETARY DATA.  
 UNAUTHORIZED DISCLOSURE, REPRODUCTION, OR USE  
 IS STRICTLY PROHIBITED WITHOUT WRITTEN PERMISSION

DO NOT SCALE DRAWING  
 DIMENSIONS AND DATA ARE SUBJECT TO CHANGE WITHOUT NOTICE.  
 CONTACT FACTORY FOR CERTIFIED DRAWINGS.

CCC-004