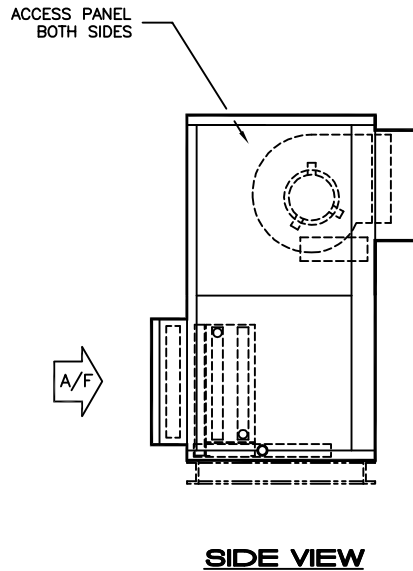
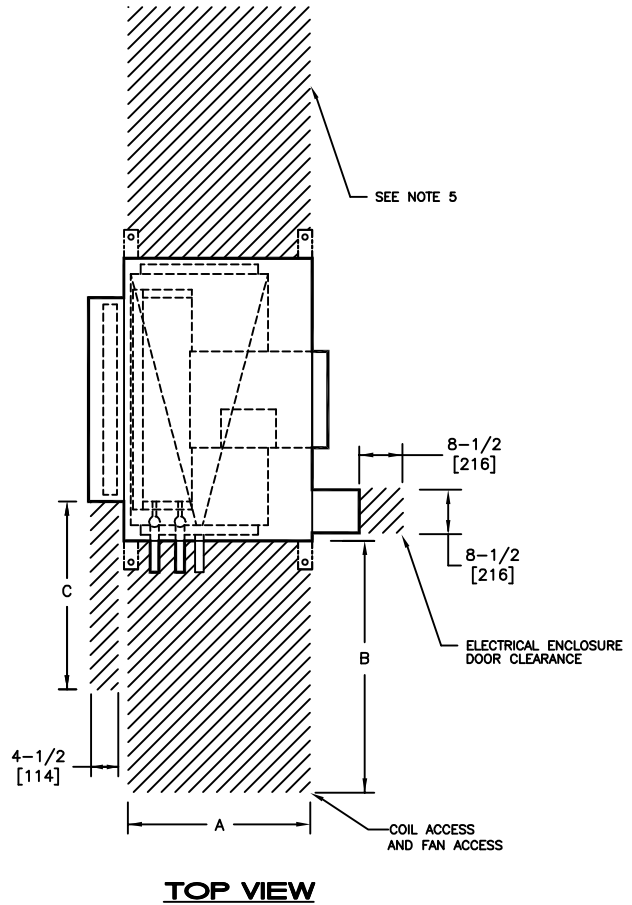


**NOTES:**

1. All dimensions are Inches [millimeters].  
All dimensions are  $\pm 1/4"$  [6mm]. Metric values are soft conversion.
2. Right hand unit shown, left hand unit opposite.  
Motor/drive location may be specified Left or Right Hand. Standard control enclosure location matches motor/drive position.
3. Provide sufficient clearance to permit access to controls and comply with applicable codes and ordinances.
4. Flat filter rack may be located at unit inlet as required. See drawing 35-80048 for filter rack details.
5. Dual Blower units require service access to both side access panels for motor/blower removal.



**DIMENSIONS**

SIZE	A	B	C
08	19 [483]	30 [762]	20 [508]
12	19 [483]	36 [914]	25 [635]
16	19 [483]	44 [1118]	20 [508]
20	25 [635]	50 [1270]	20 [508]
30	25 [635]	59 [1499]	20 [508]
40	25 [635]	68 [1727]	20 [508]

**TITLE:** MODEL VDD  
DIRECT DRIVE BLOWER COIL UNIT  
EXTERNAL SPACE REQUIREMENT



DRN BY: VSC	DATE: 06/11/18	SCALE: NTS	DRAWING NO.
CKD BY: JK	DATE: 11/2/21	REV: A	

37-80032

THIS DRAWING CONTAINS PROPRIETARY DATA.  
UNAUTHORIZED DISCLOSURE, REPRODUCTION, OR USE  
IS STRICTLY PROHIBITED WITHOUT WRITTEN PERMISSION

DO NOT SCALE DRAWING  
DIMENSIONS AND DATA ARE SUBJECT TO CHANGE WITHOUT NOTICE.  
CONTACT FACTORY FOR CERTIFIED DRAWINGS.