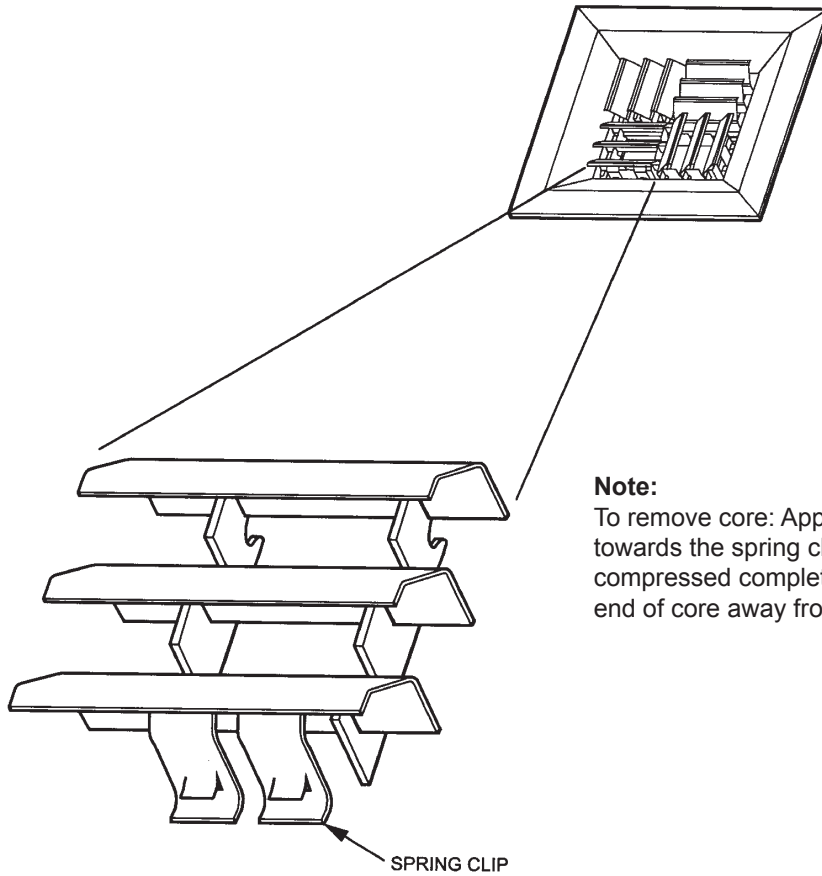
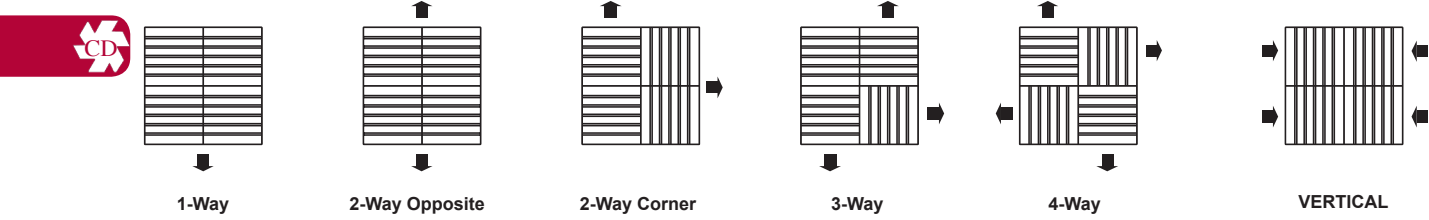


DEFLECTION PATTERNS

SQD & AQD

Deflection Pattern Options



Note:

To remove core: Apply pressure towards the spring clip. When it has compressed completely, lift notched end of core away from margin rail.

DIMENSIONS IN INCHES