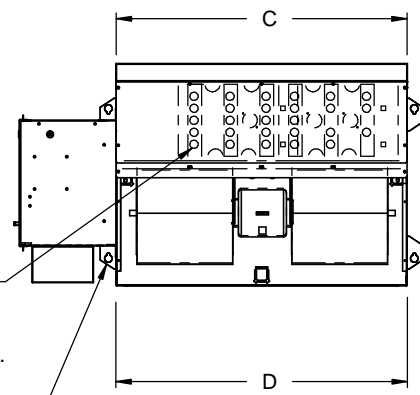
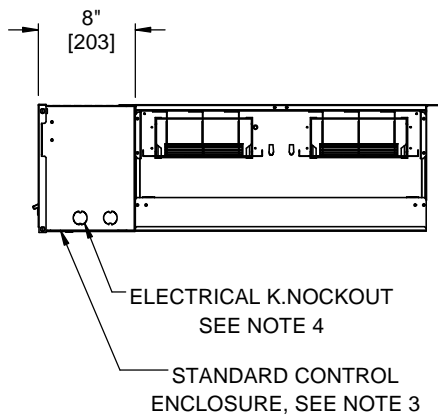


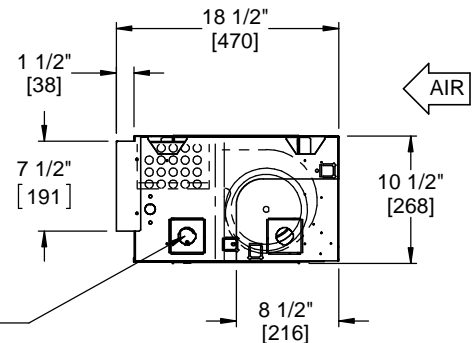
TOP VIEW



BOTTOM VIEW



FRONT VIEW



SIDE VIEW

DIMENSIONS				
UNIT SIZE	A	B	C	D
02	16 [406]	17 1/4" [438]	16 [406]	13 3/16" [335]
03	19 1/4" [489]	20 1/2" [521]	19 1/4" [489]	16 7/16" [418]
04	24 1/4" [616]	25 7/16" [646]	24 1/4" [616]	22 11/16" [576]
06	31 [787]	32 1/4" [819]	31 [787]	29 7/16" [748]
08	38 [965]	39 1/4" [997]	38 [965]	36 7/16" [926]
09	42 1/4" [1073]	43 5/16" [1100]	42 1/4" [1073]	40 1/2" [1029]
10	52 [1321]	53 1/4" [1353]	52 [1321]	50 7/16" [1281]
12	60 [1524]	60 1/4" [1530]	60 [1524]	57 1/2" [1461]

NOTES:

1. All dimensions in Inches [millimeters]. All dimensions $\pm 1/4"$ [6mm]. Metric values are soft conversion.
2. Left hand unit shown, right hand unit opposite.
3. Standard control enclosure is mounted on unit side opposite cooling coil connections. Unit casing includes (2) knockouts on each side. Provide sufficient clearance to access electrical controls and comply with applicable codes and ordinances.

UNCONTROLLED WHEN PRINTED



THIS DRAWING CONTAINS PROPRIETARY DATA. UNAUTHORIZED DISCLOSURE, REPRODUCTION, OR USE IS STRICTLY PROHIBITED WITHOUT WRITTEN PERMISSION.

SUBMITTAL DRAWING
ALL DRAWINGS ARE SUBJECT TO CHANGE WITHOUT PRIOR NOTICE

DO NOT SCALE DRAWING
DIMENSIONS ARE IN INCHES UNLESS OTHERWISE NOTED

TITLE: **MODEL HLF FAN COIL UNIT SERIES D EH ONLY**

DATE	SHEET	DRAWING NO	REV
01/21/16	PAGE 1 OF 1	47-80112	00