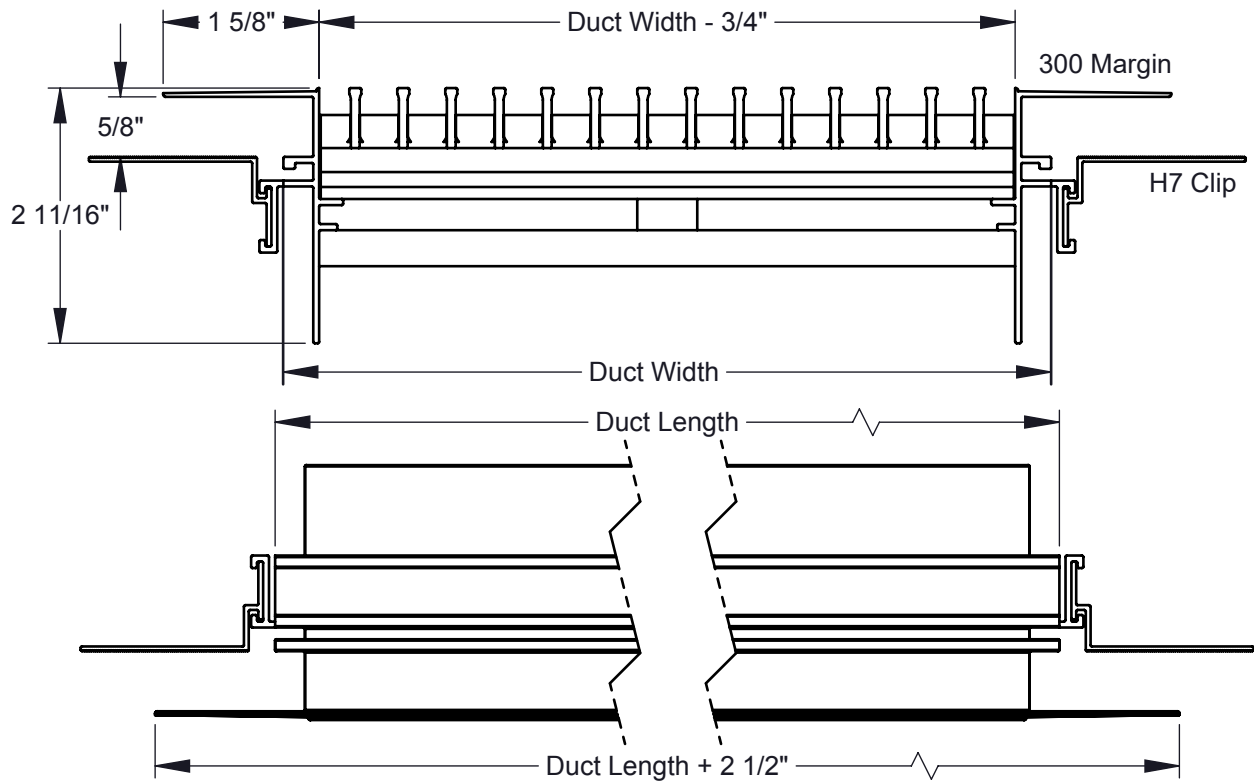


- Eight available core styles
- Extruded aluminum construction
- Size limitations are 6" x 2" minimum and 72" x 24" maximum for single piece
- Sizes available in 1/2" increments
- Designed for tape & spackle installations
- Core reinforcement option increases number of support bars to provide additional structural support
- Standard finishes available are white (WH) and mill (ML)



Core Styles*

- A0 - 1/8" Bar, 1/4" Spacing, 0° Deflection
- A1 - 1/8" Bar, 1/4" Spacing, 15° Deflection
- B0 - 1/8" Bar, 1/2" Spacing, 0° Deflection
- B1 - 1/8" Bar, 1/2" Spacing, 15° Deflection
- C0 - 7/32" Bar, 1/2" Spacing, 0° Deflection
- C1 - 7/32" Bar, 1/2" Spacing, 15° Deflection
- D0 - 7/32" Bar, 7/16" Spacing, 0° Deflection
- D3 - 7/32" Bar, 7/16" Spacing, 30° Deflection

Options

- Standard
- Core Reinforced

Finishes

- WH - White
- FB - Flat Black
- ML - Mill
- MP - Match Paint
- AP - Aluminum Paint
- CA - Clear Anodized
- OW - Off-White

* For pictures, refer to submittal SD-2073

Dimensions in inches

Job: _____	Tag: _____	4000 Linear Diffuser Mounting Style 300 Tape & Spackle Installations
Location: _____	Submitted By: _____	
Architect: _____		
Engineer: _____		
Contractor: _____	SD - 2270	Rev: A (04/17)