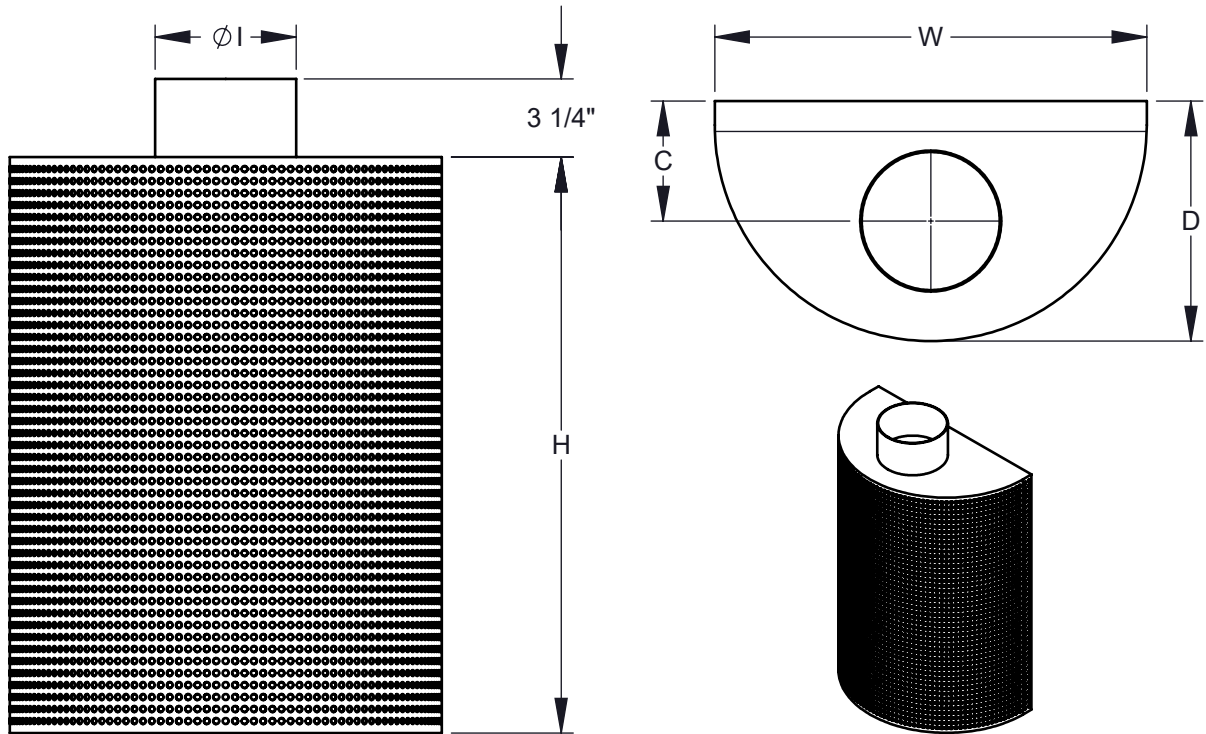


- Displacement diffuser with a semi-circular ground profile that provides 180° discharge pattern for wall or surface mount applications
- Supplies a large volume of low velocity air to the occupied zone
- Constructed of galvanized steel and aluminum
- Mounting Base (MB) and telescopic duct cover (DC) accessories available
- Standard finish is white (WH)



Model	Inlet Size	Nominal Unit Size	Unit Dimensions (Inches)				
			W	H	I	C	D
DS180	6	18 x 24	18	24	5 7/8	4 5/8	10 1/8
	8	24 x 24	24	24	7 7/8	5 7/8	13 1/8
	8	24 x 36	24	36	7 7/8	5 7/8	13 1/8
	10	24 x 48	24	48	9 7/8	6 1/6	13 1/8
	10	30 x 24	30	24	9 7/8	6 1/6	16 1/8
	10	30 x 36	30	36	9 7/8	7 1/8	16 1/8
	12	30 x 48	30	48	11 7/8	7 1/8	16 1/8
	12	30 x 60	30	60	11 7/8	7 5/8	16 1/8

Dimensions in inches

Job: _____	Tag: _____	DS180 Displacement Diffuser Semi-circular, 180 Degrees
Location: _____	Submitted By: _____	
Architect: _____		
Engineer: _____		
Contractor: _____	SD - 2311 Rev: B (07/20)	

These drawings do not detail every aspect of the product. This submittal demonstrates general product dimensions; drawings are not to scale. Tuttle & Bailey reserves the right to make changes without notice. Copyright © 2020 Tuttle & Bailey www.tuttleandbailey.com