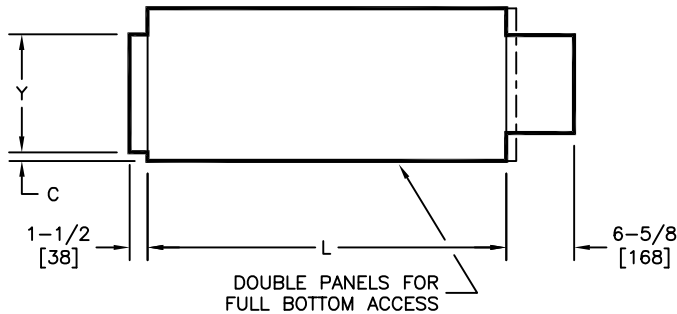


TOP VIEW

OPTION NOTES:

- 8. Double wall (DW) option increases "L" dim. 1-1/2" [38mm] and reduces inlet and discharge collar length by 3/4" [19mm].
- 9. Low temperature (LT) option provides a thermally isolated primary inlet. Inlet collar length is reduced by 3/4" [19mm].
- 10. Low temperature (LT) option is suitable for 46° F min. primary air and max. ambient conditions of 78° F and 60% RH.

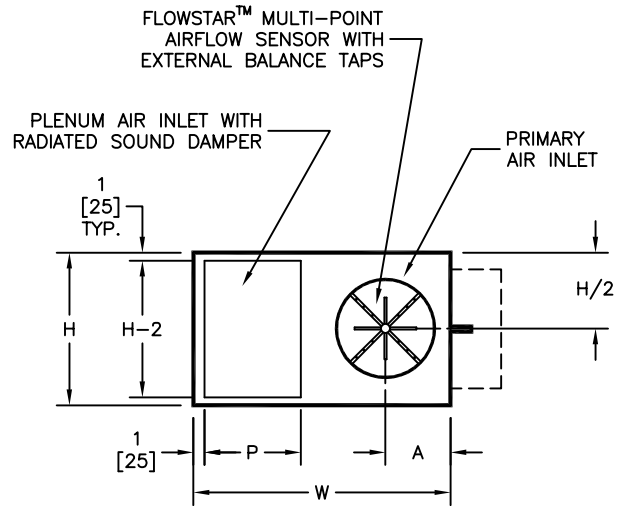


SIDE VIEW

NOTES:

1. All dimensions are Inches [millimeters]. All dimensions are ±1/4" [6mm]. Metric values are soft conversion.
2. All drawings subject to change without prior notice.
3. Provide sufficient clearance to permit access to controls and comply with applicable codes and ordinances.
4. 1" [25mm] thick fiberglass TAW filter. See chart for sizes.
5. Inlet and outlet collars must be externally insulated in the field "by others", if required.
6. Units with internal insulation in the downstream ductwork should have insulation secured with no raw edges exposed to the airstream.
7. See drawing 33-80015 for arrangement details.

UNIT SIZE	FILTER SIZE	
	INCHES	[MM]
1230 Thru 1630	19 X 30 X 1	[483 X 762 X 25]



INLET END VIEW

(Filter not shown this view)

DIMENSIONS - In [mm]

UNIT SIZE	H	W	L	X	Y	A	B	C	P
1230	19 [483]	52 [1321]	62 [1575]	40 [1016]	15 [381]	10 [254]	9-3/4 [248]	1-1/4 [32]	28 [711]
1430, 1630	19 [483]	52 [1321]	62 [1575]	40 [1016]	15 [381]	11-1/2 [292]	9-3/4 [248]	1-1/4 [32]	28 [711]

INLET	I
12XX	11-7/8 [302]
14XX	13-7/8 [352]
16XX	15-7/8 [403]

UNIT SIZE:
FIRST 2 DIGITS DENOTE PRIMARY INLET SIZE, SECOND 2 DIGITS DENOTE FAN AND CASING SIZE.

TITLE:

MODEL CFRQ-EH
EXTRA QUIET SERIES FLOW
FAN POWERED TERMINAL
FAN SIZE 30, ARG. 3



DRN BY: DVG	DATE: 4/6/09	SCALE: 1=24	DRAWING NO.
CKD BY: DPB	DATE: 3/31/16	REV: 01	

33-80045

DO NOT SCALE DRAWING
NOT FOR CONSTRUCTION, CONTACT FACTORY FOR CERTIFIED DRAWINGS.
DIMENSIONS AND DATA ARE SUBJECT TO CHANGE WITHOUT NOTICE.