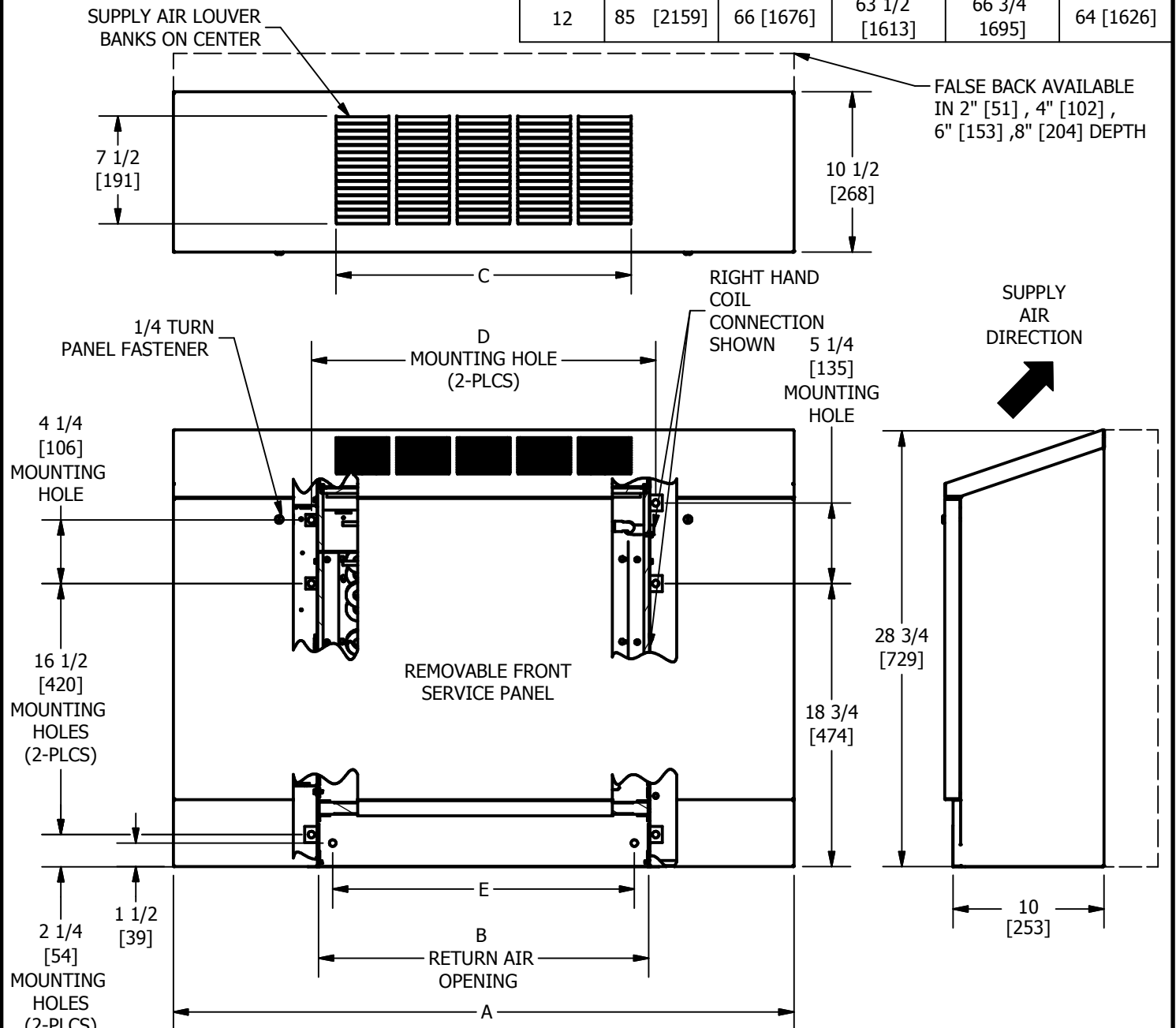


**NOTES:**

1. All dimensions are Inches [millimeters]. All dimensions are  $\pm 1/4"$  [6mm]. Metric values are soft conversion.
2. Junction box size and location varies with unit features. Control options may be limited. Provide sufficient clearance to access electrical controls and comply with applicable codes and ordinances.
3. Standard cabinet finish is "Pearl White Satin".
4. Right hand unit shown, left hand unit similar, but opposite.
5. Parametric design available to increase Height or Width. (See parametric offerings drawing.)
6. Some control or piping package options may require extended end pockets and/or extended drain pans. (See extended end pocket drawing.)
7. False backs ship loose for field installation.

**TABLE**

Column	Column 2	Column 3	Column 4	Column 5	Column 6
UNIT MODEL	DIM A	DIM B	DIM C	DIM D	DIM E
02	41 [1041]	22 [559]	19 1/2 [495]	22 3/4 [578]	20 [508]
03	45 [1143]	26 [660]	23 1/2 [597]	26 3/4 [679]	24 [607]
04	51 [1295]	32 [813]	27 1/2 [699]	32 3/4 [832]	30 [762]
06	61 [1549]	42 [1067]	39 1/2 [1003]	42 3/4 [1086]	40 [1016]
08	63 [1600]	44 [1118]	39 1/2 [1003]	44 3/4 [1137]	42 [1067]
10	77 [1956]	58 [1473]	55 1/2 [1410]	58 3/4 [1492]	53 [1347]
12	85 [2159]	66 [1676]	63 1/2 [1613]	66 3/4 [1695]	64 [1626]



	TITLE			MODEL VFS, FALSE BACK, SERIES C
	DRN BY	DATE	SCALE	DRAWING NO.
AJM	08/07/15	N/A	51-80089	
CKD BY	DATE	REV		
ML	08/07/15	03		

THIS DRAWING CONTAINS PROPRIETARY DATA, UNAUTHORIZED DISCLOSURE, REPRODUCTION, OR USE IS STRICTLY PROHIBITED WITHOUT WRITTEN PERMISSION

**DO NOT SCALE DRAWING**  
DIMENSIONS AND DATA ARE SUBJECT TO CHANGE WITHOUT NOTICE. CONTACT FACTORY FOR CERTIFIED DRAWINGS.