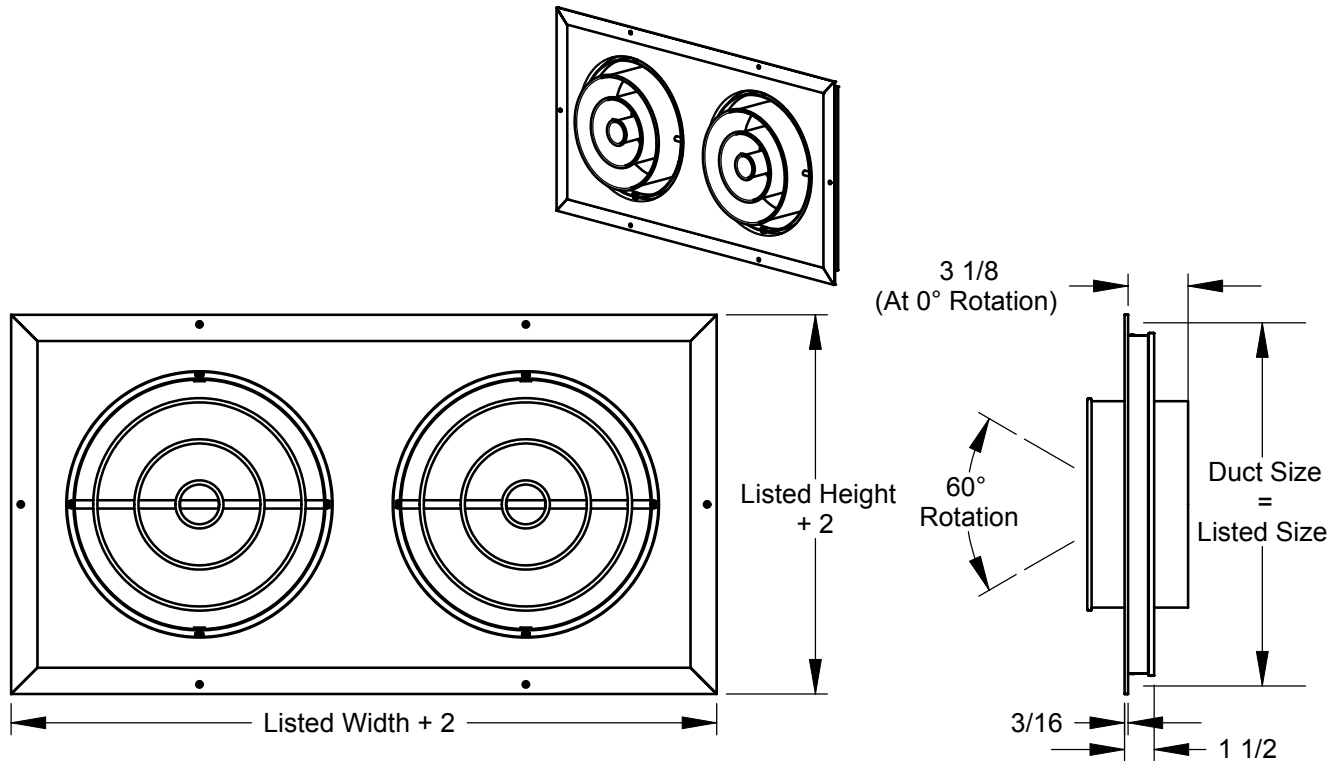
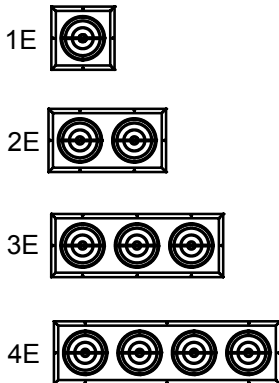


- Heavy duty, extruded aluminum margin furnished with countersunk screw holes
- Aluminum construction with some steel components
- 5 1/4" deep deflection rings for positive air deflection of 30° in any direction
- Horizontal and vertical element pivots with adjustable tension to maintain settings
- Standard finish is white paint.



Available Configurations



Element Size	Listed Height	Listed Width (Number of Elements)			
		1E	2E	3E	4E
6	9 3/4	9 3/4	18 3/4	27 3/4	36 3/4
8	11 3/4	11 3/4	22 3/4	33 3/4	44 3/4
10	13 3/4	13 3/4	26 3/4	39 3/4	52 3/4
12	15 3/4	15 3/4	30 3/4	45 3/4	60 3/4
14	17 3/4	17 3/4	34 3/4	51 3/4	68 3/4

Available Colors

White Mill Aluminum Paint
 Off White Flat Black Match Paint

Dimensions in inches

Job: _____	Tag: _____	GJ JET-FLO® High Capacity Diffuser Aluminum Construction
Location: _____	Submitted By: _____	
Architect: _____		
Engineer: _____		
Contractor: _____	SD-1532	Rev: B (08/07)

These drawings do not detail every aspect of the product. This submittal demonstrates general product dimensions; drawings are not to scale. Tuttle & Bailey reserves the right to make changes without notice. Copyright © 2007 Tuttle & Bailey www.tuttleandbailey.com