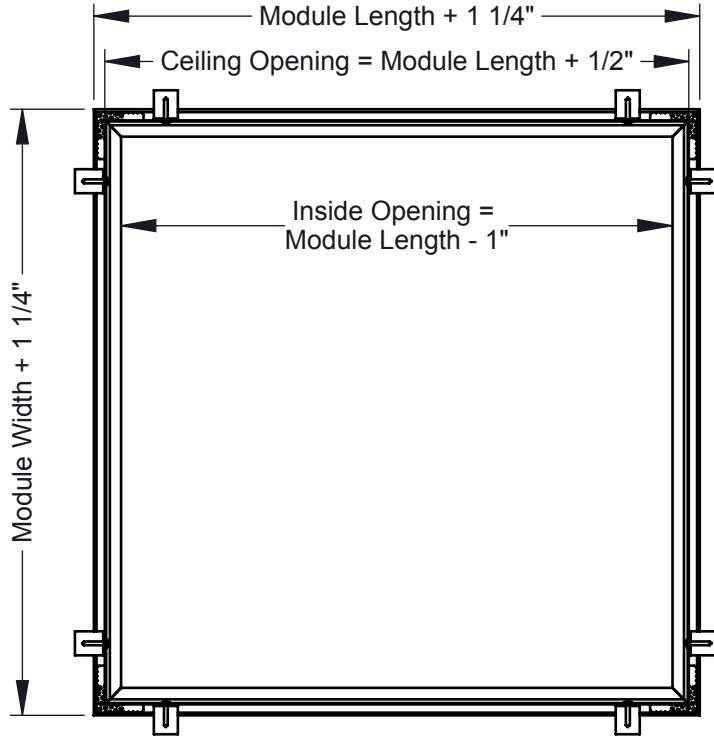
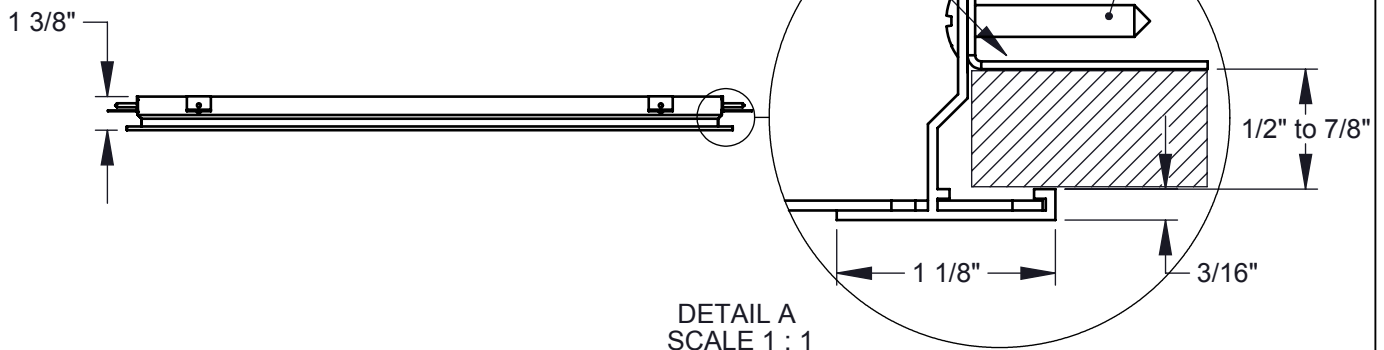


- Allows T-Bar Lay-in type diffusers to be installed in surface mount applications
- ASMF can be mounted in plaster or sheet rock ceiling
- Hardware for mounting is included (screws & safety clips)
- Aluminum construction
- Standard finish is white (WH)



Module Size	Minimum Ceiling Opening	
	A	B
12 x 12	12 1/2"	12 1/2"
16 x 16	16 1/2"	16 1/2"
20 x 20	20 1/2"	20 1/2"
24 x 12	24 1/2"	12 1/2"
24 x 24	24 1/2"	24 1/2"
36 x 24	36 1/2"	24 1/2"
48 x 12	48 1/2"	12 1/2"
48 x 24	48 1/2"	24 1/2"

Clip is adjustable up and down to fit varying ceiling thicknesses



Dimensions in inches

Job: _____	Tag: _____	ASMF Aluminum Surface Mount Frame
Location: _____	Submitted By: _____	
Architect: _____	SD - 2195 Rev: B (09/14)	
Engineer: _____		
Contractor: _____		