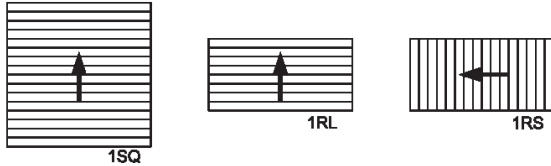


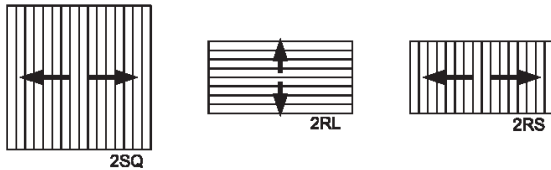
DEFLECTION PATTERNS

M, MA, AM, AMA

1 Way



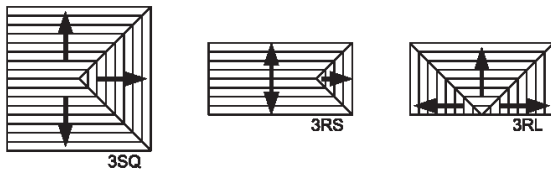
2 Way Opposite



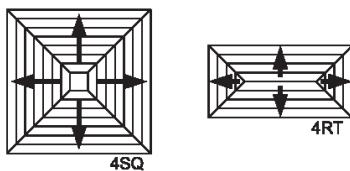
2 Way Diagonal



3 Way



4 Way

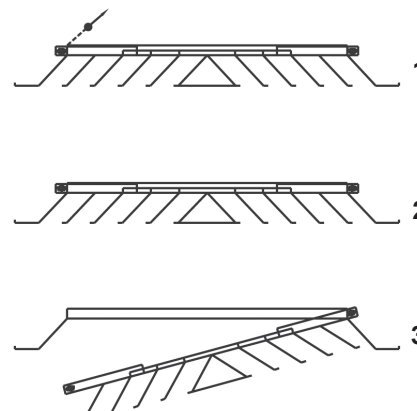


Notes:

- Patterns are shown in plan view (looking down into inlet)
- Louvers are spaced on 1-1/2" centers
- The core louvers have a 1/4" horizontal lip on all sides that provides a horizontal air pattern which is tight to the ceiling

| Code | Deflection Pattern |
|------|-------------------------|
| 1SQ | 1-way Square |
| 1RL | 1-way Rectangular Long |
| 1RS | 1-way Rectangular Short |
| 2SQ | 2-way Square |
| 2RL | 2-way Rectangular Long |
| 2RS | 2-way Rectangular Short |
| 2CS | 2-way Corner Square |
| 2CR | 2-way Corner Right |
| 2CL | 2-way Corner Left |
| 3SQ | 3-way Square |
| 3RL | 3-way Rectangular Long |
| 3RS | 3-way Rectangular Short |
| 4SQ | 4-way Square |
| 4RT | 4-way Rectangular |

Snap in core detail



The "M" Series snap-in core is ideal where no screws are required. Core is held in place by two tabs which slide into the outer margin. The other side is secured by a positive lock arrangement. Core is easily removed by releasing lock and removing the core.

1. Remove shipping clips.
2. Push core sideways.
3. Hold core securely and allow core to drop down.



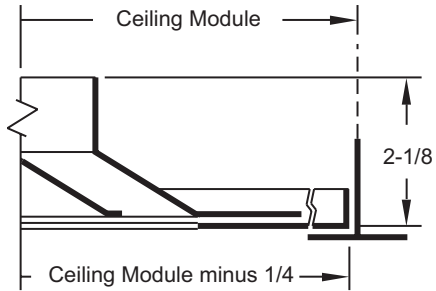
PRODUCT DIMENSIONS

M, AM

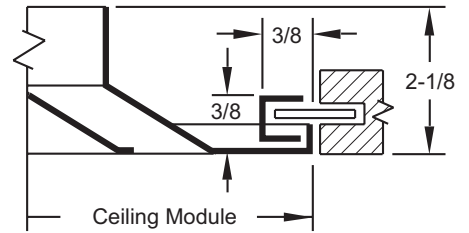
Square/Rectangular Neck-Fixed Pattern

Margin Details: LT, PL, YM, SB, SF & NR

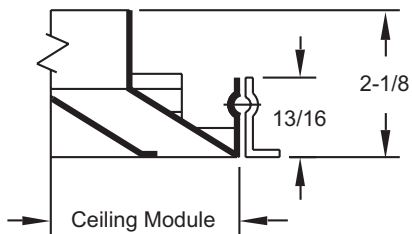
Margin LT, Lay-in T-Bar



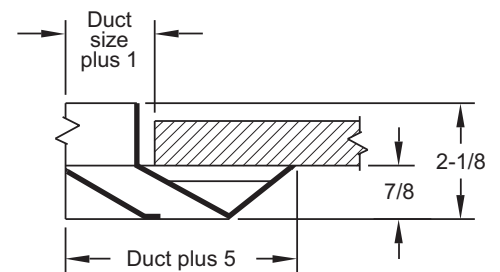
Margin PL, Spline



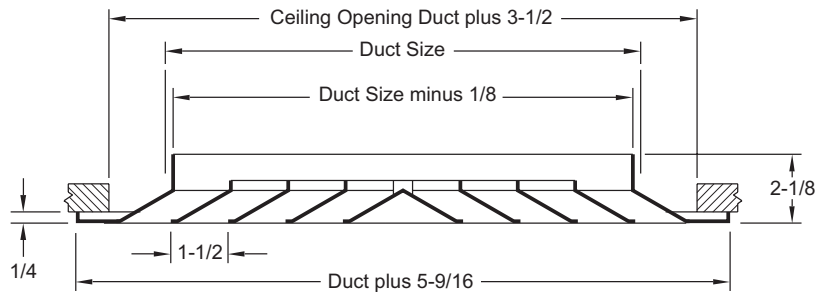
Margin YM, Snap-In



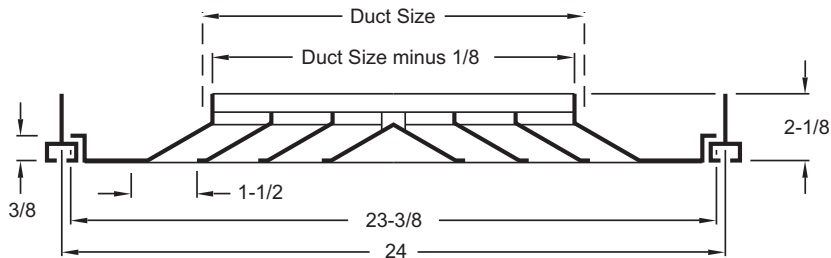
Margin SB, Surface Beveled



Margin SF, Surface Flat



Margin NR, Narrow Regress



Ceiling Diffusers

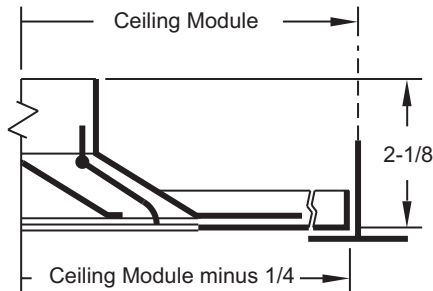
PRODUCT DIMENSIONS

MA, AMA

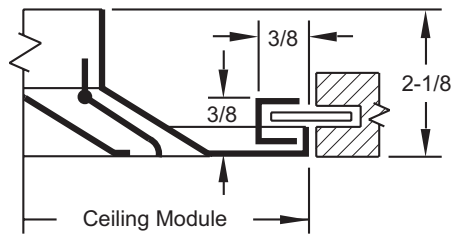
Square/Rectangular Neck-Adjustable Pattern

Margin Details: LT, PL, YM, SB, SF & NR

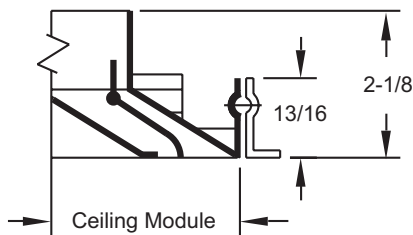
Margin LT, Lay-in T-Bar



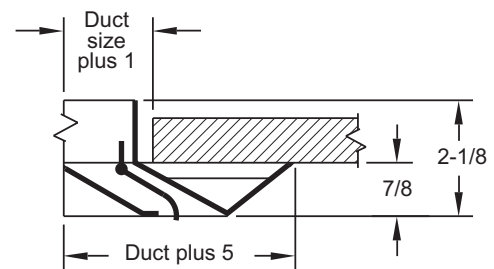
Margin PL, Spline



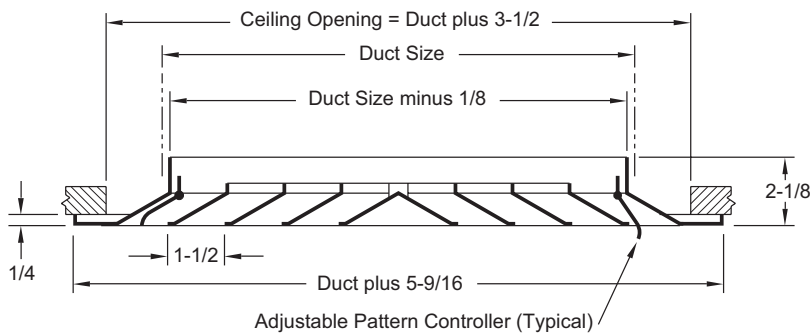
Margin YM, Snap-In



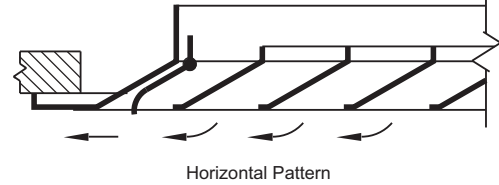
Margin SB, Surface Beveled



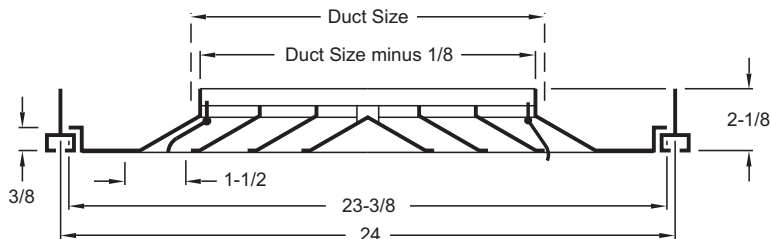
Margin SF, Surface Flat



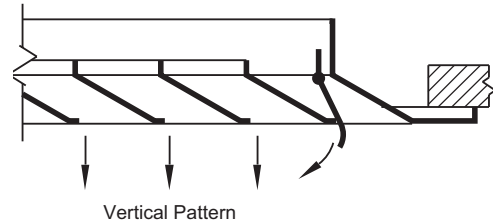
Adjustable Patterns, Horizontal



Margin NR, Narrow Regress



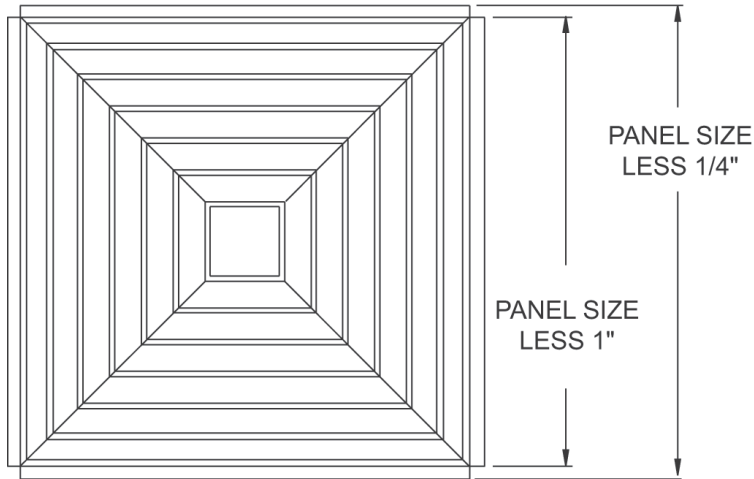
Adjustable Patterns, Vertical





PRODUCT DIMENSIONS

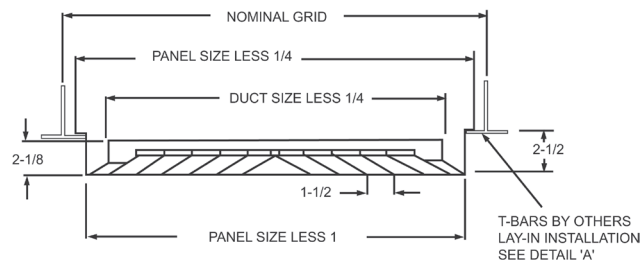
M, MA, AM, AMA D2 Margin-2-1/2" Drop Face



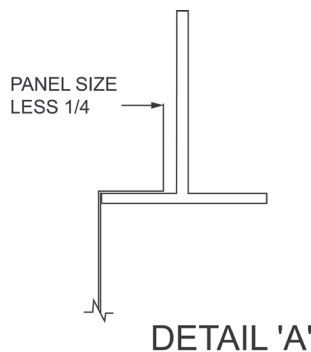
FACE VIEW
Lay-In T-Bar 4-way shown

| | |
|-------|--|
| 1-WAY | |
| 1SQ | |
| 2-WAY | |
| 2SQ | |
| 2CS | |
| 3-WAY | |
| 3SQ | |
| 4-WAY | |
| 4SQ | |

SPECIFY DEFLECTION PATTERN
WHEN ORDERING



Lay-In T-Bar Details



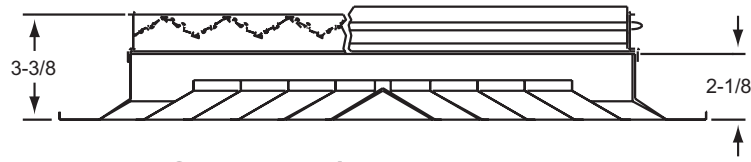
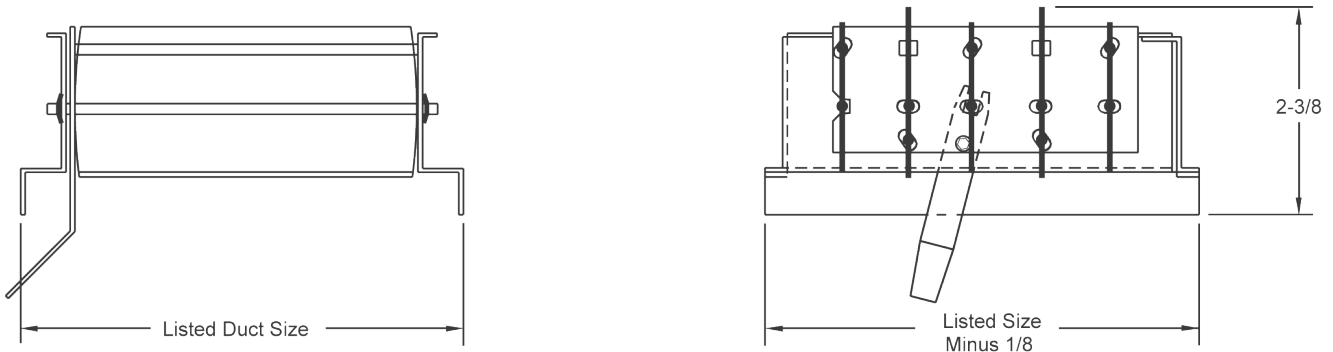
Ceiling
Diffusers



PRODUCT DIMENSIONS

M, MA, AM, AMA Opposed Blade Damper Detail

SMOBD (Steel) AMOBD (Aluminum)



Sideview / Damper Detail