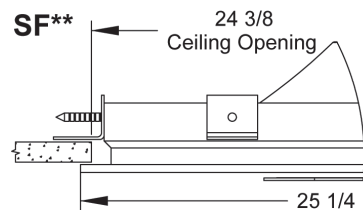
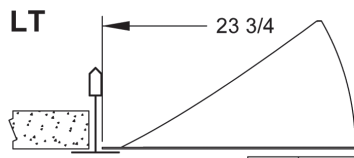
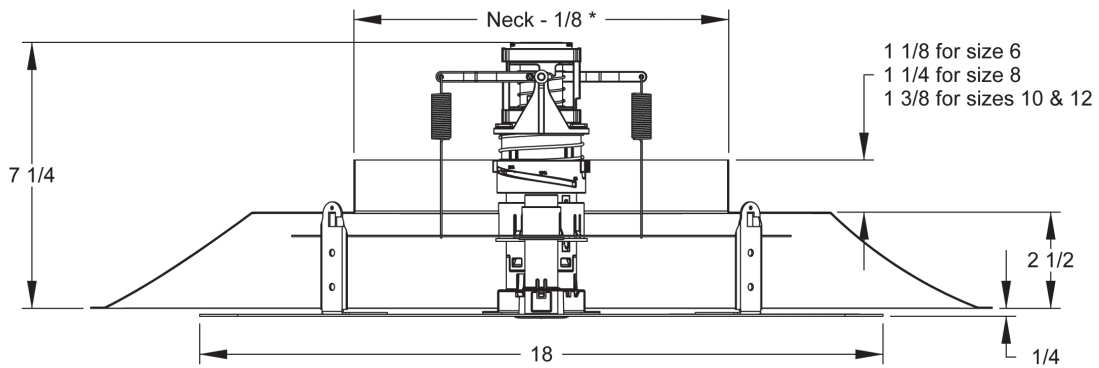


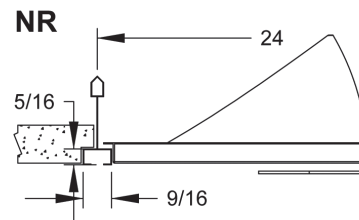
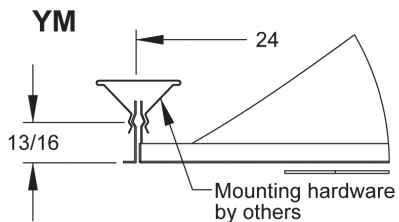
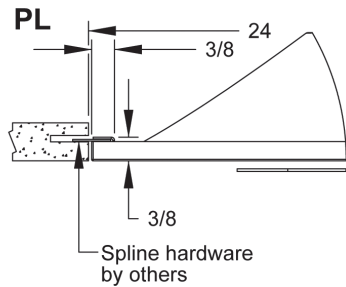


# PRODUCT DIMENSIONS

## VTD



\*\* For SF applications, a separate trim frame ships with a LT diffuser

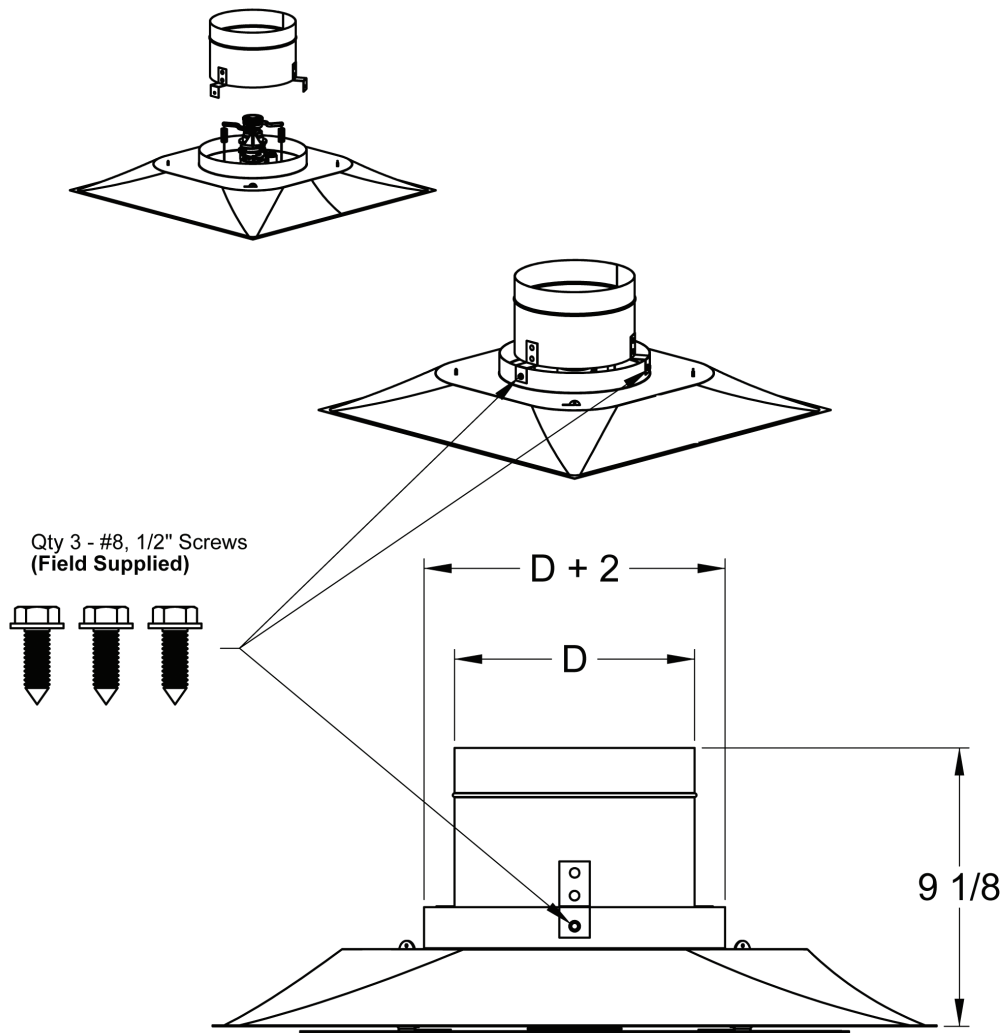


- For relief rings, see page SP52



# PRODUCT DIMENSIONS

## VTD-Relief Ring Option



Part Number	D (Duct Connection)	Required Diffuser Neck Size
31636601	3 7/8	6
31636602	5 7/8	8
31636603	7 7/8	10
31636604	9 7/8	12



# PRODUCT DIMENSIONS

## VTD-Directional Baffles

