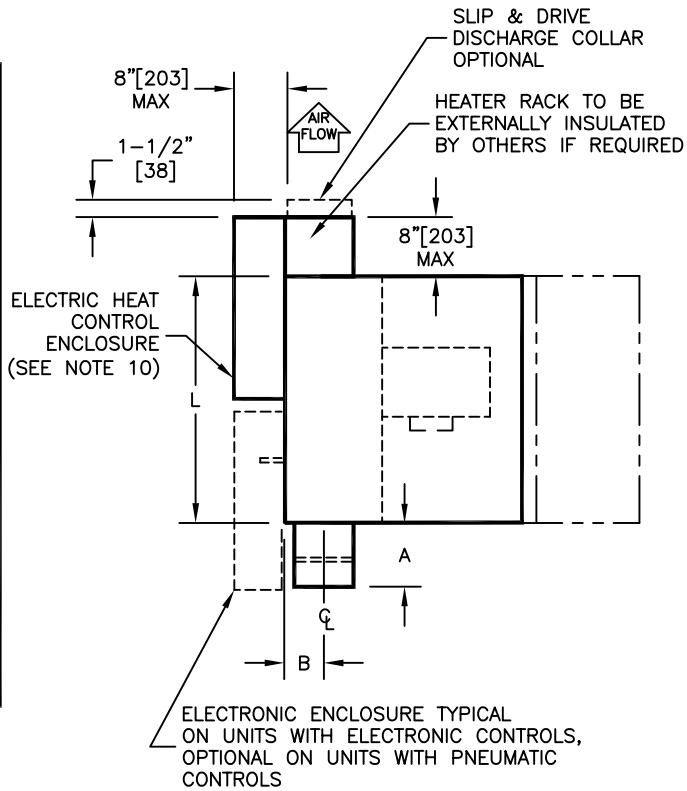
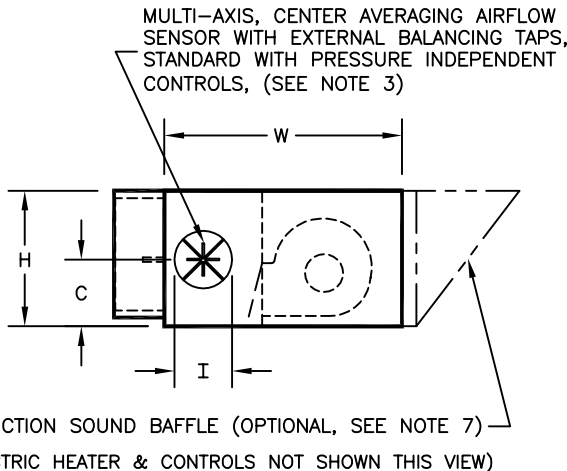
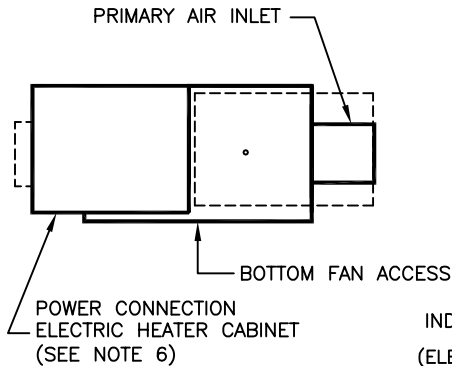
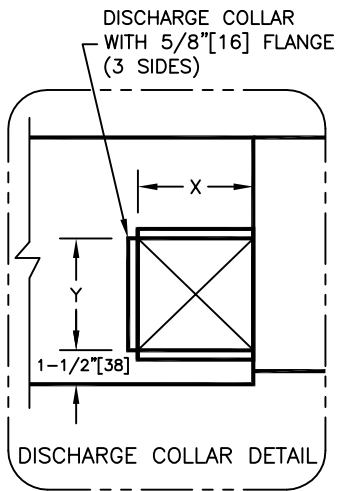


DIMENSIONAL DATA

UNIT* SIZE	A	B	C	I	X	Y	W	H	L
0404	10 1/2" [267]	5" [127]	7" [178]	3 7/8" [98]	8" [203]	7" [178]	29" [737]	14" [356]	23 1/2" [597]
0504	10 1/2" [267]	5" [127]	7" [178]	4 7/8" [124]	8" [203]	7" [178]			
0604	6 1/2" [165]	5" [127]	7" [178]	5 7/8" [149]	8" [203]	7" [178]			
0606	6 1/2" [165]	5" [127]	7" [178]	5 7/8" [149]	8" [203]	7" [178]			
0804	6 1/2" [165]	6" [152]	7" [178]	7 7/8" [200]	11" [279]	7" [178]	37" [940]	17" [432]	
0806	6 1/2" [165]	7" [178]	8 1/2" [216]	9 7/8" [251]	14" [356]	10" [254]			
0811	6 1/2" [165]	7" [178]	8 1/2" [216]	9 7/8" [251]	14" [356]	10" [254]			
1006	6 1/2" [165]	7" [178]	8 1/2" [216]	9 7/8" [251]	14" [356]	10" [254]	45" [1143]	19" [483]	29 1/2" [749]
1011	6 1/2" [165]	8" [203]	8 1/2" [216]	11 7/8" [302]	16" [406]	10" [254]			
1018	6 1/2" [165]	8" [203]	8 1/2" [216]	11 7/8" [302]	16" [406]	10" [254]			
1211	6 1/2" [165]	9" [229]	9 1/2" [241]	13 7/8" [352]	22" [559]	12" [305]	49" [1245]	19" [483]	
1218	6 1/2" [165]	9" [229]	9 1/2" [241]	13 7/8" [352]	22" [559]	12" [305]			
1221	6 1/2" [165]	9" [229]	9 1/2" [241]	13 7/8" [352]	22" [559]	12" [305]			
1411	6 1/2" [165]	10" [254]	9 1/2" [241]	15 7/8" [403]	24" [610]	12" [305]	49" [1245]	19" [483]	
1418	6 1/2" [165]	10" [254]	9 1/2" [241]	15 7/8" [403]	24" [610]	12" [305]			
1421	6 1/2" [165]	10" [254]	9 1/2" [241]	15 7/8" [403]	24" [610]	12" [305]			
1424	6 1/2" [165]	10" [254]	9 1/2" [241]	15 7/8" [403]	24" [610]	12" [305]	49" [1245]	19" [483]	
1621	6 1/2" [165]	10" [254]	9 1/2" [241]	15 7/8" [403]	24" [610]	12" [305]			
1624	6 1/2" [165]	10" [254]	9 1/2" [241]	15 7/8" [403]	24" [610]	12" [305]	49" [1245]	19" [483]	

* NOTE:

- FIRST 2 DIGITS DENOTE CASING & PRIMARY AIR VALVE SIZE.
- SECOND 2 DIGITS DENOTE FAN SIZE.



NOTES:

- All dimensions are inches [millimeters]. All dimensions are ±1/4" [6mm]. Metric values are soft conversion.
- MATERIAL: Galvanized steel. Casing-20 gauge; Air Valve Casing - 22 gauge.
- AIRFLOW SENSOR: Sizes 4 & 5 utilize single-axis, linear averaging multi-point type sensor.
- INSULATION: 3/4" [19] thick, fiberglass complying with NFPA 90-A and UL 181.
- FAN ACCESS: Provided on bottom of unit.
- POWER CONNECTION: Units have single point power connection for compatible voltages only.
- For Induction Inlet Option and filter information see drawings 07-80020 and 07-80021.
- INSTALLATION: A) If internal insulation is utilized in the downstream ductwork, the insulation must be secured in such a manner that no raw insulation edges are exposed to the airstream.
B) Inlet & outlet collars should be externally insulated by others (in the field) if required.
C) Terminal unit requires minimum 0.1" w.g. downstream pressure at design cooling capacity.
- FAN MOTOR SPEED ADJUSTMENT: 3-position quick select terminal strip w/fan SCR (factory selected to low tap).
- Provide sufficient clearance to permit access to controls and comply with applicable codes and ordinances.
- Arrangement 1 shown, for additional arrangements, see dwg. 07-80008.

OPTIONS: INDUCTION PORT SOUND Baffle SLIP & DRIVE OUTLET FILTER RACK

TITLE: PARALLEL FLOW FAN POWERED TERMINAL UNIT W/ELECTRIC HEAT MODEL VFR-EH SERIES C, ARG T 1



DRN BY: JGH DATE: 2/11/04 SCALE: NA DRAWING NO.
CKD BY: D.B DATE: 5/02/08 REV: 05

07-80022

THIS DRAWING CONTAINS PROPRIETARY DATA. UNAUTHORIZED DISCLOSURE, REPRODUCTION, OR USE IS STRICTLY PROHIBITED WITHOUT WRITTEN PERMISSION

DO NOT SCALE DRAWING. DIMENSIONS AND DATA ARE SUBJECT TO CHANGE WITHOUT NOTICE. CONTACT FACTORY FOR CERTIFIED DRAWINGS.