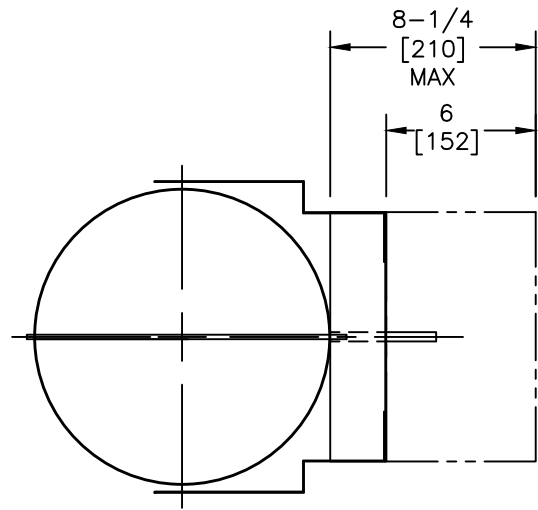
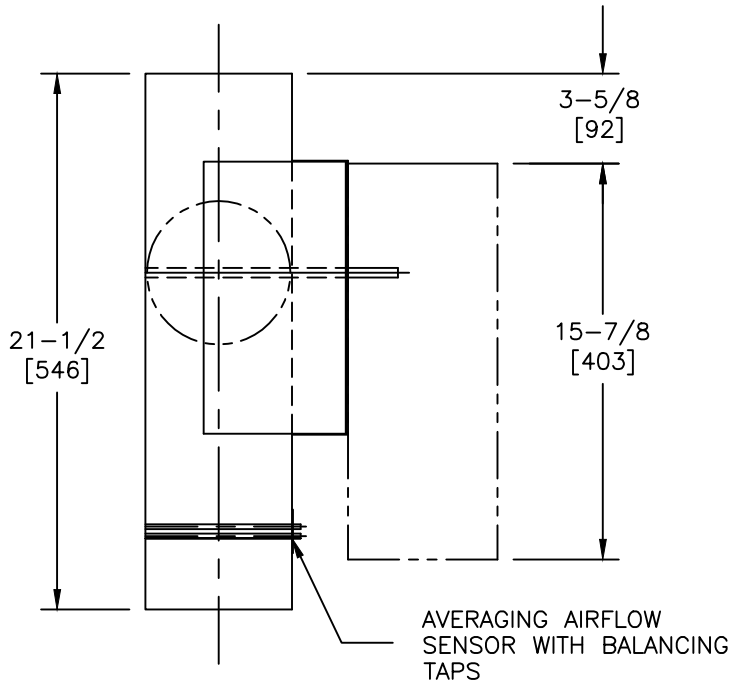


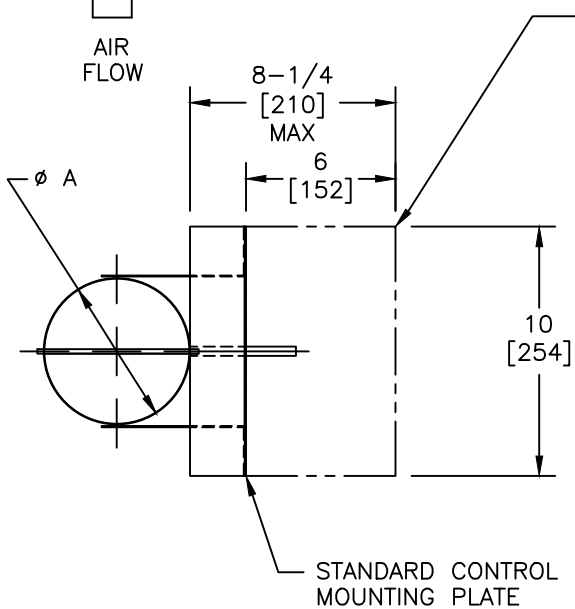
DIMENSIONAL DATA

UNIT SIZE	DIM A	O.D.
6	5-7/8	[149]
8	7-7/8	[200]
10	9-7/8	[251]
12	11-7/8	[302]
14	13-7/8	[352]
16	15-7/8	[403]

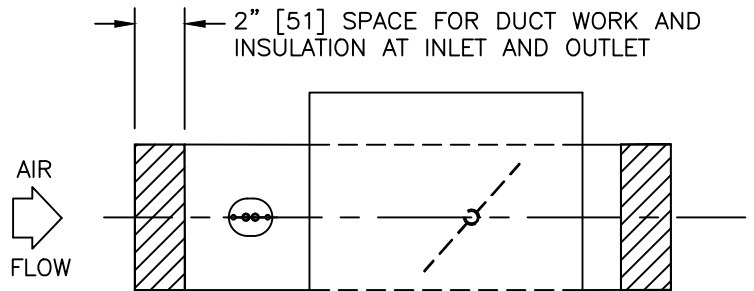


DETAIL A  
 SIZES 12 THRU 16

ELECTRONIC ENCLOSURE MOUNTING CONFIGURATION



CONTROL ENCLOSURE STANDARD ON UNITS WITH ELECTRONIC CONTROLS, OPTIONAL ON UNITS WITH FIELD MOUNT CONTROLS (WITHOUT FACTORY TRANSFORMER) SEE NOTES 2, 3



(ENCLOSURE OMITTED THIS VIEW)

NOTES:

1. MATERIAL: Stainless steel; Casing - 22 gauge; Damper Blade - 16 gauge. Control enclosure - 22 gauge Galvanized.
2. Control plate and enclosure mounting typical sizes 6 thru 10. See detail A for larger sizes 12 thru 16.
3. Provide sufficient clearance to permit access to controls for compliance with applicable codes and ordinances.
4. Unit construction not intended for hazardous or pyrophoric environments.

TITLE: MODEL SSX  
 STAINLESS STEEL EXHAUST TERMINAL



DRN BY: JCR	DATE: 08/08/04	SCALE: 1=8	DRAWING NO.
CKD BY: DOUG B	DATE: 07/31/15	REV: 05	

32-80000

THIS DRAWING CONTAINS PROPRIETARY DATA. UNAUTHORIZED DISCLOSURE, REPRODUCTION, OR USE IS STRICTLY PROHIBITED WITHOUT WRITTEN PERMISSION

DO NOT SCALE DRAWING  
 DIMENSIONS AND DATA ARE SUBJECT TO CHANGE WITHOUT NOTICE.  
 CONTACT FACTORY FOR CERTIFIED DRAWINGS.