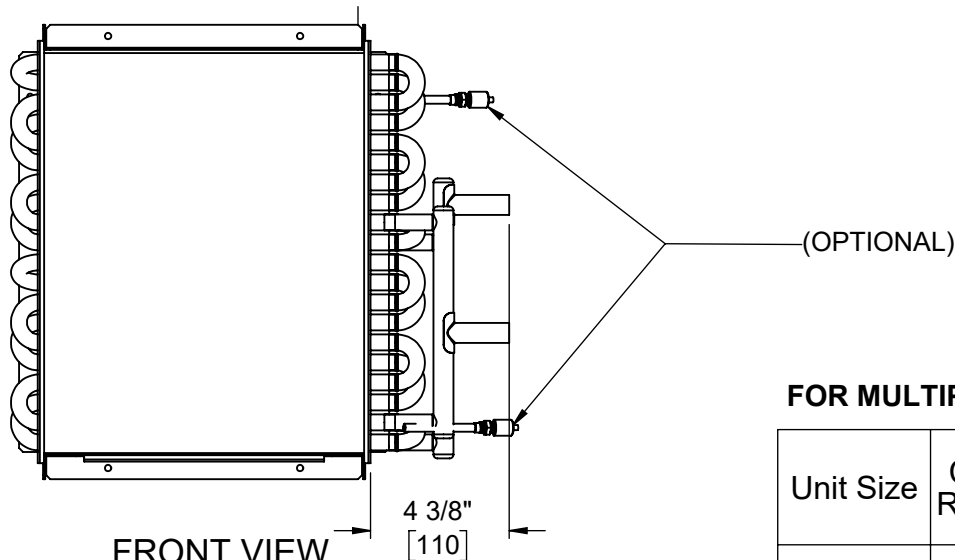


SIDE VIEW
LEFT HAND SHOWN
RIGHT HAND OPPOSITE



FRONT VIEW
LEFT HAND SHOWN
RIGHT HAND OPPOSITE

FOR MULTIPLE CIRCUITS COIL ONLY

Unit Size	Coil Rows	(1/2" ϕ Coil)		
		A	B	C
7	1	5-5/8" [143]	3-1/8" [79]	1" [26]
	3	5-5/8" [143]	3-1/2" [87]	2-1/8" [55]
	4	5-5/8" [143]	4-1/2" [115]	3-1/4" [82]
10	1	5-5/8" [143]	3-1/8" [79]	1" [26]
	2	5-5/8" [143]	3-1/2" [87]	1-1/8" [27]
	3	5-5/8" [143]	3-1/2" [87]	2-1/8" [55]
	4	5-5/8" [143]	4-1/2" [115]	3-1/4" [82]
12/15/20/25	1	7" [179]	3-1/8" [79]	1" [26]
	2	7" [179]	3-1/2" [87]	1-1/8" [27]
	3	7" [179]	3-1/2" [87]	2-1/8" [55]
	4	7" [179]	4-1/2" [115]	3-1/4" [82]

NOTES:

- All dimensions are in inches [millimeters]
- All dimensions may vary in $\pm 1/2$ [13mm].
Metric values are soft conversion.
- All drawings are subject to change without notice.
- Connection Size: 5/8 ODM (1/2" NOM.)
- This sheet applies to multiple circuits only.
For single circuit coils refer sheet no 2.
For two row two circuit coils refer sheet no 3.



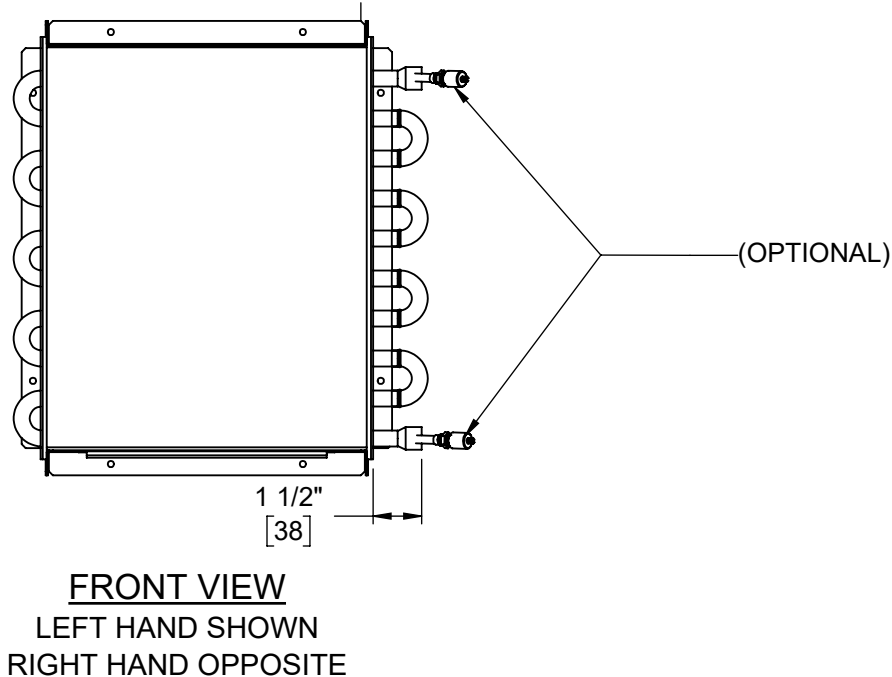
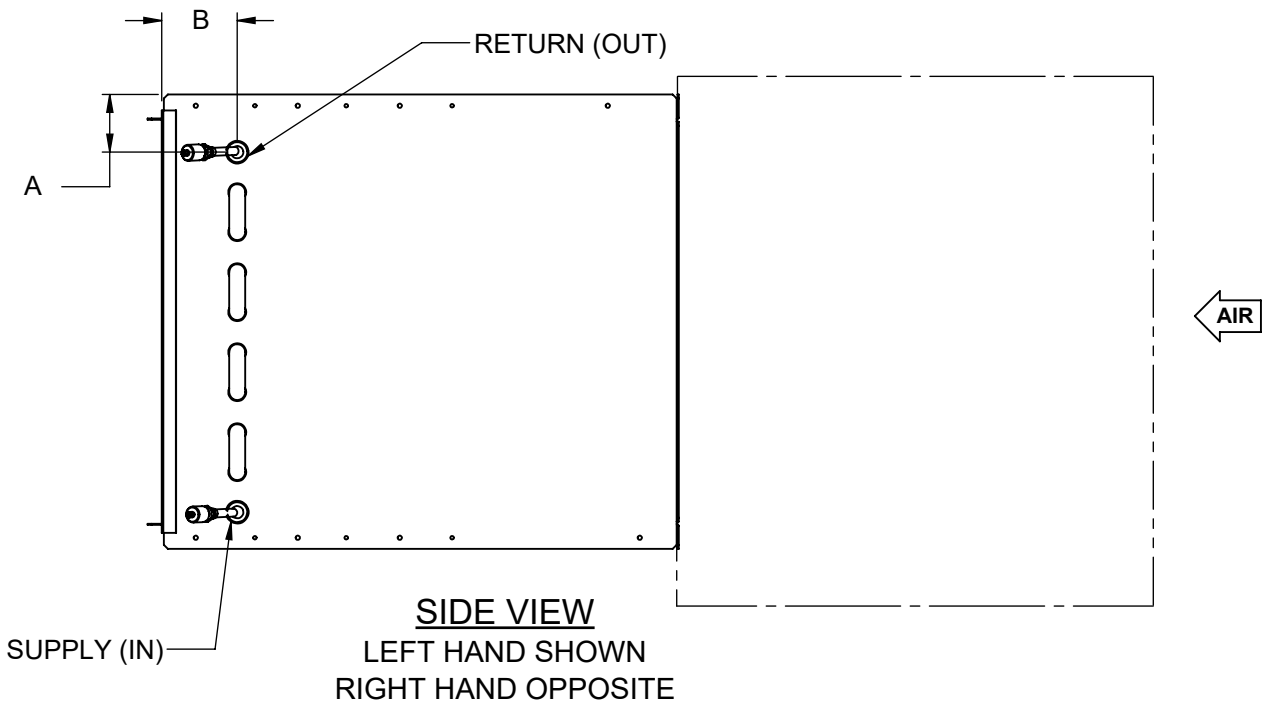
THIS DRAWING CONTAINS PROPRIETARY DATA. UNAUTHORIZED DISCLOSURE, REPRODUCTION, OR USE IS STRICTLY PROHIBITED WITHOUT WRITTEN PERMISSION.

SUBMITTAL DRAWING
ALL DRAWINGS ARE SUBJECT TO CHANGE WITHOUT PRIOR NOTICE

DO NOT SCALE DRAWING
DIMENSIONS ARE IN INCH (MM) FORMAT
+/- 1/8 [3] UNLESS OTHERWISE NOTED

TITLE: **MODEL CRB & CRQ,
HOT WATER, 1/2" DIA COIL CONNECTIONS**

DATE	SHEET	DRAWING NO	REV
07/09/20	PAGE 1 OF 3	10-80050	A



- NOTES:**
1. All dimensions are in inches [millimeters]
 2. All dimensions may vary in $\pm 1/2$ [13mm].
Metric values are soft conversion.
 3. All drawings are subject to change without notice.
 4. Connection Size: 5/8 ODM (1/2" NOM.)
 5. This sheet applies to single circuit coils only.
For multiple circuit coils refer sheet no 1.
For two row two circuit coils refer sheet no 3.

SINGLE CIRCUIT COILS ONLY

Unit Size	Coil Rows	No. of Circuits	(1/2" ϕ Coil)	
			A	B
7/10	1	1	1-3/4" [46]	2-3/8" [60]
	2	1	1-1/8" [30]	3-1/2" [87]
	3	1	1-1/8" [30]	3-1/2" [87]
12/15/20/25	1	1	1-3/4" [46]	2-3/8" [60]



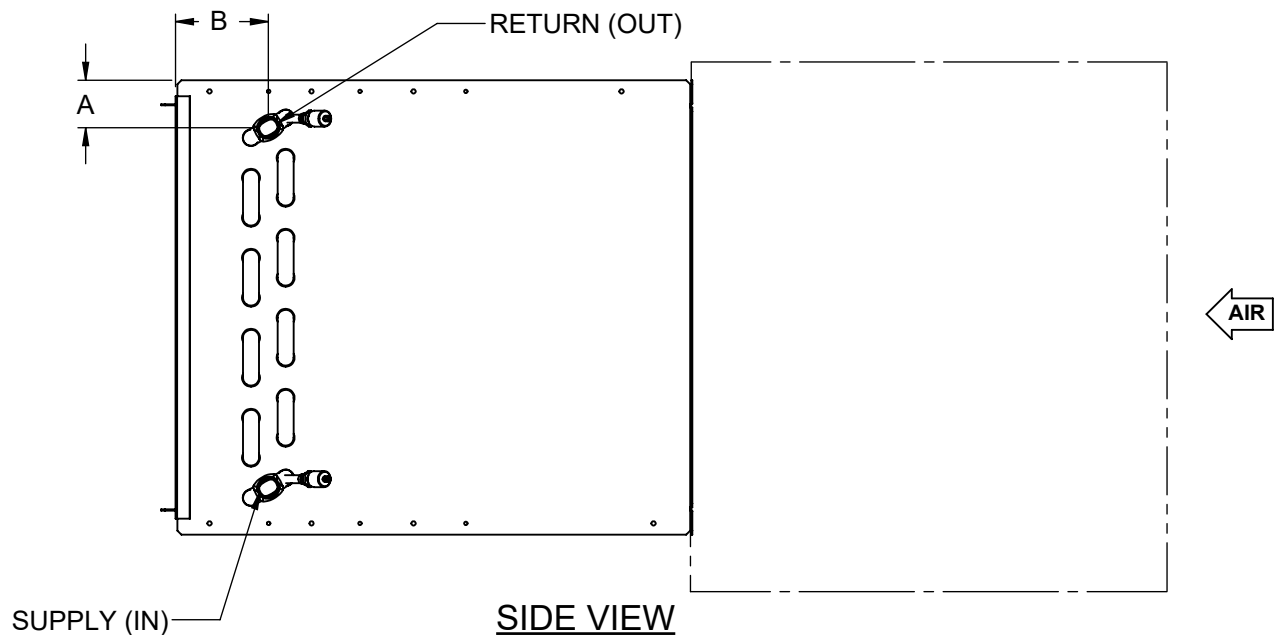
THIS DRAWING CONTAINS PROPRIETARY DATA. UNAUTHORIZED DISCLOSURE, REPRODUCTION, OR USE IS STRICTLY PROHIBITED WITHOUT WRITTEN PERMISSION.

SUBMITTAL DRAWING
ALL DRAWINGS ARE SUBJECT TO CHANGE WITHOUT PRIOR NOTICE

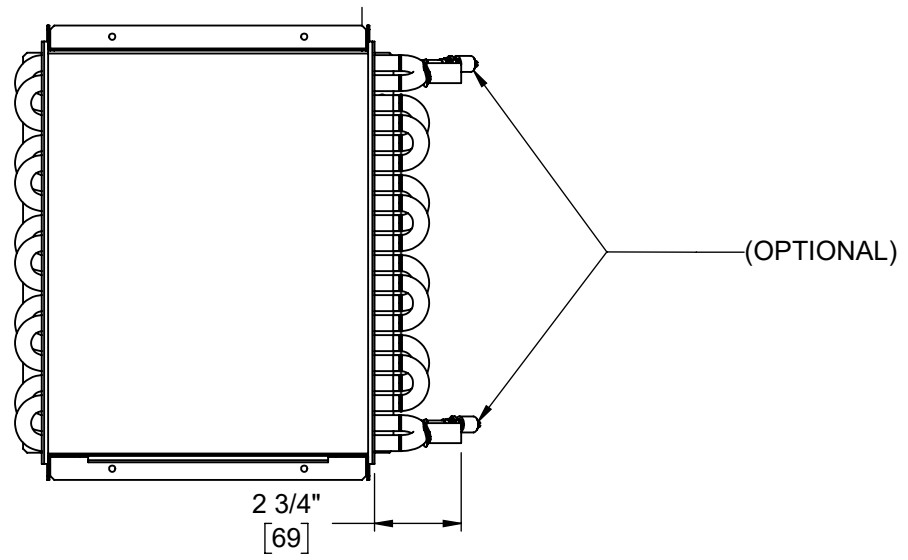
DO NOT SCALE DRAWING
DIMENSIONS ARE IN INCH (MM) FORMAT
+/- 1/8 [3] UNLESS OTHERWISE NOTED

TITLE: **MODEL CRB & CRQ, HOT WATER, 1/2" DIA COIL CONNECTIONS**

DATE	SHEET	DRAWING NO	REV
07/09/20	PAGE 2 OF 3	10-80050	A



SIDE VIEW
LEFT HAND SHOWN
RIGHT HAND OPPOSITE



FRONT VIEW
LEFT HAND SHOWN
RIGHT HAND OPPOSITE

NOTES:

1. All dimensions are in inches [millimeters]
2. All dimensions may vary in $\pm 1/2$ [13mm].
Metric values are soft conversion.
3. All drawings are subject to change without notice.
4. Connection Size: 5/8 ODM (1/2" NOM.)
5. This sheet applies to two row two circuit only.
For multiple circuit coils refer sheet no 1.
For single circuit coils refer sheet no 2.

TWO ROW TWO CIRCUIT COILS ONLY

Unit Size	Coil Rows	No. of Circuits	(1/2" ϕ Coil)	
			A	B
7/10	2	2	5-3/4" [146]	2-7/8" [74]
12/15	2	2	1-1/2" [38]	2-7/8" [74]



THIS DRAWING CONTAINS PROPRIETARY DATA. UNAUTHORIZED DISCLOSURE, REPRODUCTION, OR USE IS STRICTLY PROHIBITED WITHOUT WRITTEN PERMISSION.

SUBMITTAL DRAWING
ALL DRAWINGS ARE SUBJECT TO CHANGE WITHOUT PRIOR NOTICE

DO NOT SCALE DRAWING
DIMENSIONS ARE IN INCH (MM) FORMAT
+/- 1/8 [3] UNLESS OTHERWISE NOTED

TITLE: **MODEL CRB & CRQ,
HOT WATER, 1/2" DIA COIL CONNECTIONS**

DATE	SHEET	DRAWING NO	REV
07/09/20	PAGE 3 OF 3	10-80050	A